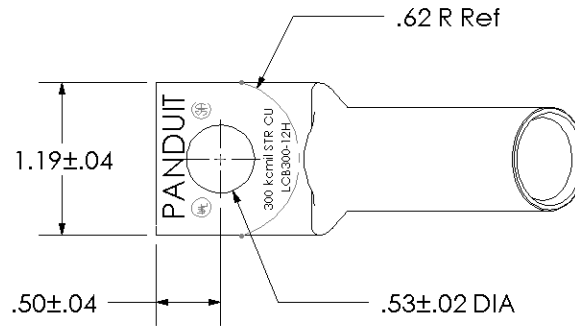
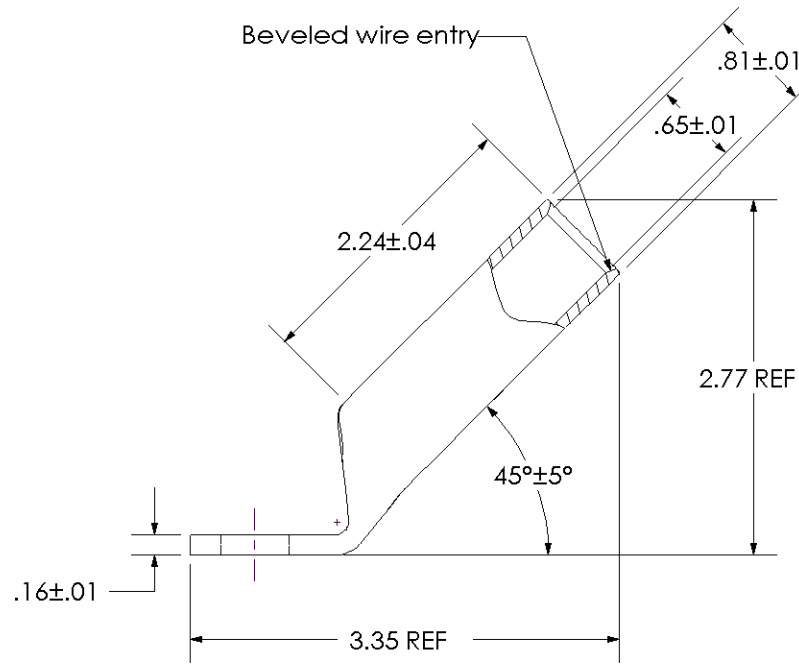


THIS COPY IS PROVIDED ON A RESTRICTED BASIS AND IS NOT TO BE USED IN ANY WAY DETRIMENTAL TO THE INTERESTS OF PANDUIT CORP.

Material	High Conductivity Seamless Copper Tube
Plating	Electro-Tin
Wire Size	300 kcmil
Wire Type	Stranded Copper; Class B: Compact, Compressed or Concentric, Class C: Concentric
Wire Strip Length	2-5/16 in.
Stud Size	1/2 in.
UL Listed Wire Connector	Yes, for applications up to 35kv. Consult cable manufacturer for voltage stress relief instructions with applications greater than 2000 volts.
UL Temperature Rating	90° C
C.S.A Certified Wire Connector	Yes
Panduit Color Code on Barrel	WHITE
Panduit Die Index No. on Barrel	P66
Alternate Industry Die Index No. ( ) on Barrel	(17)



Color coded barrel markings



**PANDUIT CORP. TINLEY PARK, ILLINOIS**

LCB300-12H-X

Copper Lug - One-Hole, Long Barrel, 45° Angle Tongue

00	12/02	SAB	DRL
REV	DATE	BY	CHK

RELEASED  
DESCRIPTION

10328  
ECN

SCALE  
N/A

DRAWING NO / CAD FILE

LCB300-12H-CUST