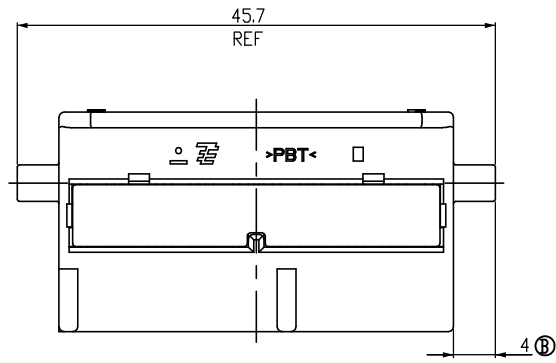
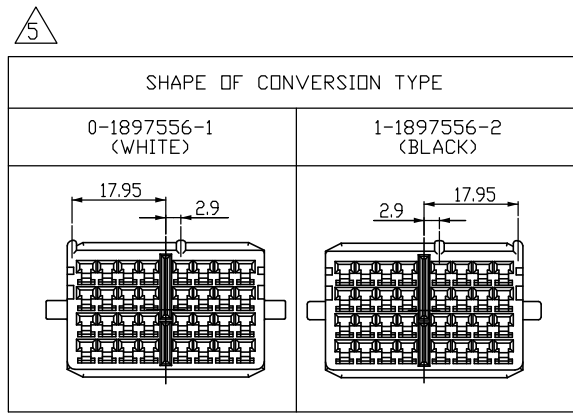


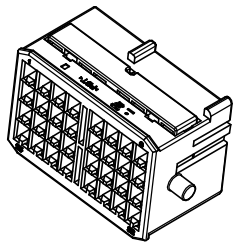
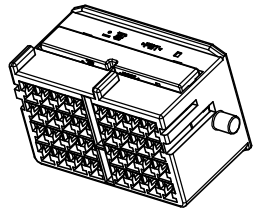
THIS DRAWING IS UNPUBLISHED. RELEASED FOR PUBLICATION 20
 © COPYRIGHT 20 BY TYCO ELECTRONICS CORPORATION. ALL RIGHTS RESERVED.

LOC	DIST	REVISIONS					
		P	LTR	DESCRIPTION	DATE	DWN	APVD
DS		A		RELEASED	03APR09	IS	HG
		B		REVISED (ECR-10-008163)	13APR10	WY	HG

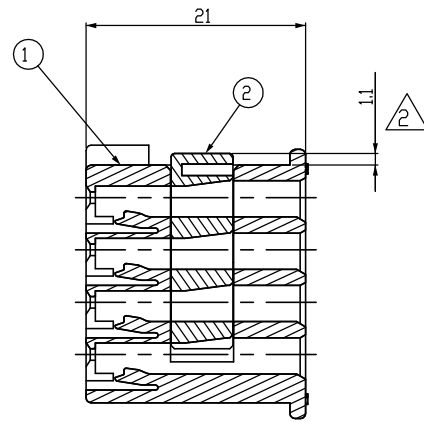
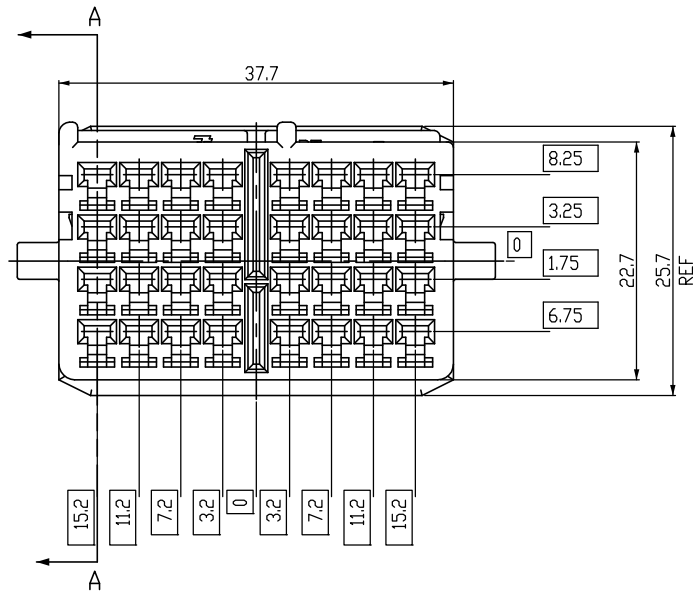


[TABLE 1]

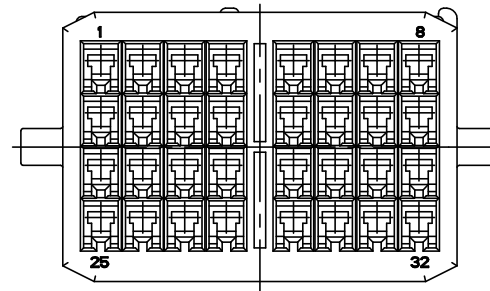
TYPE	P/N	WIRE SIZE	MATERIAL/FINISH
.090	0-1743654-1	0.3~0.5	CuNiSI ALLOY PRE-TIN
	0-1743655-1	0.75~1.25	
	0-1743656-1	1.5~2.0	
	0-1897598-1	2.5	



ISO VIEW



SECTION A-A



- NOTE
- 1.GENERAL TOLERANCE: ±0.3, ±3°
 - 2.CONDITION OF DELIVERY: DBL IN 1ST.LOCKING POSITION
 - 3.APPLIED CAP ASSY P/N:X-1897552-X
 - 4.APPLIED REC.CONTACT P/N: TABLE1
 - 5.CHECK CONVERSION KEY CODE

ASSY P/N
0-1897556-1
1-1897556-2

NO	COLOR	MATERIAL	DESCRIPTION	Q'TY
2	YELLOW	PBT	DBL HSG	1 1
①	BLACK	PBT	PLUG HSG	- 1
①	NATURAL	PBT	PLUG HSG	1 -

THIS DRAWING IS A CONTROLLED DOCUMENT FOR TYCO ELECTRONICS CORPORATION. IT IS SUBJECT TO CHANGE AND THE CONTROLLING ENGINEERING ORGANIZATION SHOULD BE CONTACTED FOR THE LATEST REVISION.		DWN WY JANG CHK JW JUNG APVD HG CHO PRODUCT SPEC		Tyco Electronics Tyco Electronics Kyungsan Korea	
DIMENSIONS: mm TOLERANCES UNLESS OTHERWISE SPECIFIED: 0 PLC ± 1 PLC ± 2 PLC ± 3 PLC ± 4 PLC ± ANGLES ±		3RD ANGLE PROJECTION		NAME .090 32P PLUG ASSY(LIF)	
MATERIAL -		FINISH -		SIZE A2 CAGE CODE 00779 DRAWING NO C=1897556 RESTRICTED TO -	
CUSTOMER DRAWING				SCALE 2:1 SHEET 1 OF 1 REV B	