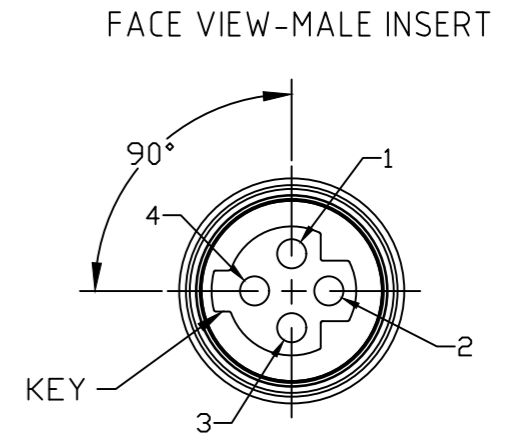
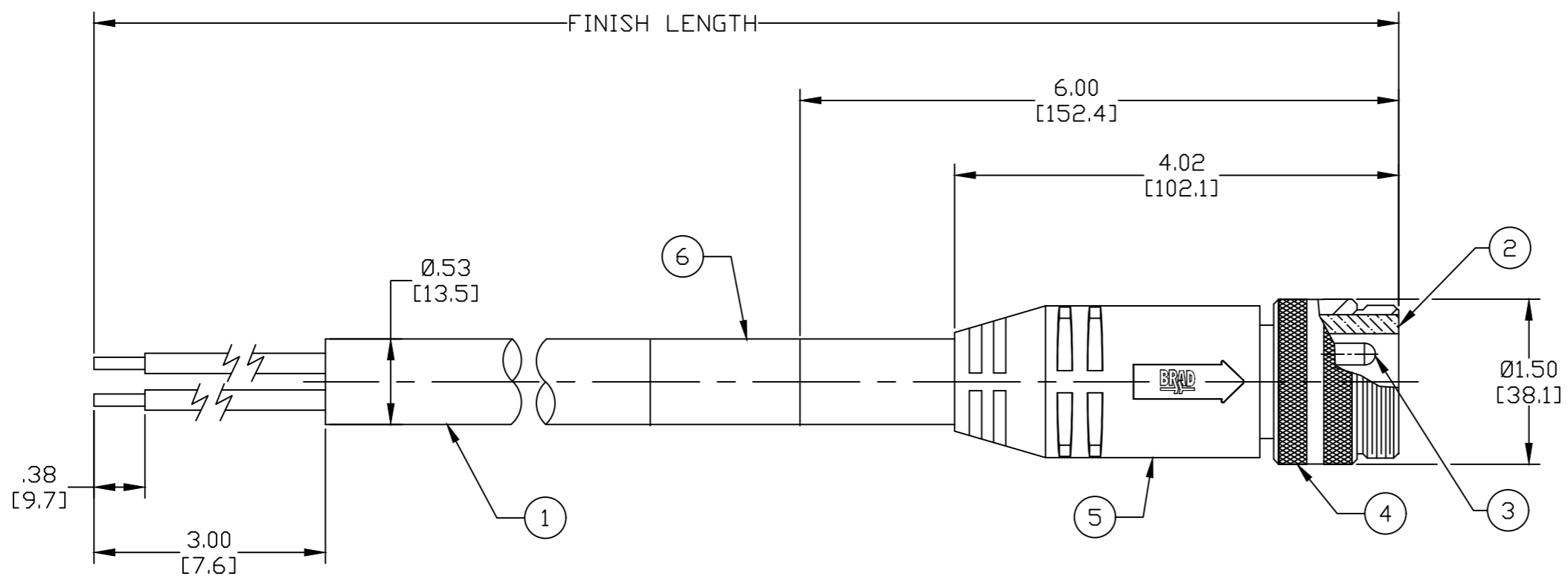


SAP NUMBER	ENG NUMBER	FINISHED LENGTH
1300630307	C04106K17M090	29 FT, 6 IN [9.0M]
1300633046	C04106K17M050	16 FT, 5 IN [5.0M]



- 1 BLACK-1
- 2 GREEN/YELLOW
- 3 BLACK-2
- 4 BLACK-3

**NOTES:**

- MATERIAL: AS NOTED
- FINISH: AS NOTED
- ELECTRICAL:  
VOLTAGE: 500V PER IEC60664  
600V PER UL2238  
CURRENT: 20A
- TEMP RATING: -20°TO +90°C
- PROTECTION: IP67 (WHEN MATED)
- COUPLING THREAD: 1 3/8-16 UN
- UL LISTED FILE: E258922
- ALL DIMS ARE FOR REFERENCE  
UNLESS TOLERANCED OR NOTED OTHERWISE

**PART NUMBER LEGEND**

C04106K17M090  
 FINISHED LENGTH:  
 M005= 0.5 METER  
 M010= 1 METER  
 M100= 10 METER

CABLE LENGTH TOLERANCES	
<.3M [1FT]:	+19mm-0 [+ .75in-0]
.3 - .9M [1 - 3FT]:	+44.5mm-0 [+1.75in-0]
.9 - 1.8M [3 - 6FT]:	+55.6mm-0 [+2.19in-0]
1.8 - 3.7M [6 - 12FT]:	+88.9mm-0 [+3.50in-0]
3.7 - 7.3M [12 - 24FT]:	+165.1mm-0 [+6.50in-0]
7.3-14.6M [24 - 48FT]:	+317.5mm-0 [+12.50in-0]
14.6 - 30.5M [48-100FT]:	+622.3mm-0 [+24.50in-0]
OVER 30M [100FT]	+2% OF FINISHED LENGTH

ITEM	DESCRIPTION	MATERIAL	FINISH
6	WRAP LABEL	VINYL	BLACK/YELLOW
5	OVERMOLD	TPE	BLACK
4	COUPLING NUT	ALUMINUM	BLACK ANODIZE
3	CONTACT PIN	COPPER ALLOY	GOLD PLATED
2	INSERT	TPE	BLACK
1	CABLE, 10AWG TC-ER	TPE JACKET	BLACK

FUNCTIONAL SYMBOLS $F=0$ $E=0$ $P=0$	THIS DRAWING CONTAINS INFORMATION THAT IS PROPRIETARY TO MOLEX ELECTRONIC TECHNOLOGIES, LLC AND SHOULD NOT BE USED WITHOUT WRITTEN PERMISSION		CURRENT REV DESC: CABLE WAS 12AWG, CHANGED TO IN/MM, ADD NEW P/N	
	DIMENSION UNITS	SCALE	EC NO: 706743	
	INCH/MM	1:1	DRWN: RSTONE	2022/05/12
	GENERAL TOLERANCES (UNLESS SPECIFIED)		CHK'D: MZIELINSKI	2022/05/16
DIVISIONAL SYMBOLS	4 PLACES	±----	APPR: BWOODMAN	2022/06/03
	3 PLACES	±----	INITIAL REVISION:	
	2 PLACES	±----	DRWN: CCHRSTKA	2021/01/27
	1 PLACE	±----	APPR: BWOODMAN	2021/02/08
0 PLACES	±----	ANGULAR TOL ± ---- °		
DRAFT WHERE APPLICABLE MUST REMAIN WITHIN DIMENSIONS		THIRD ANGLE PROJECTION	DRAWING	SERIES
			B-SIZE	130063
DOCUMENT STATUS		P1	RELEASE DATE	2022/06/03 21:56:51
DOCUMENT NUMBER		CUSTOMER		SHEET NUMBER
1300630307		GENERAL MARKET		1 OF 1