

## Wireless Accelerometer - Impact Detect Sensor

### General Description

The ALTA Wireless Accelerometer - Impact Detect Sensor is a digital, low-power, low-profile, capacitive sensor that is able to measure acceleration on three axes to detect impact over a set g-force threshold.

### Principle of Operation

The ALTA Wireless Accelerometer - Impact Detect Sensor activates when g-forces are exceeded by a user defined threshold—up to 8 g-force. The user can key in the desired threshold for the g-force trigger. This sensor has two operation modes that can be also selected by the user: High Performance and Low Power. High Performance has an output data rate of 800 Hz with the High-Pass Filter cutoff at 16 Hz while the Low Power has an output data rate of 12.5 Hz with the High-Pass Filter cutoff at 0.25 Hz. The data is displayed as “Force Detected” or “No Force Detected”.

### Example Applications

- Impact Detection
- Impact Load Sensing
- Many additional applications

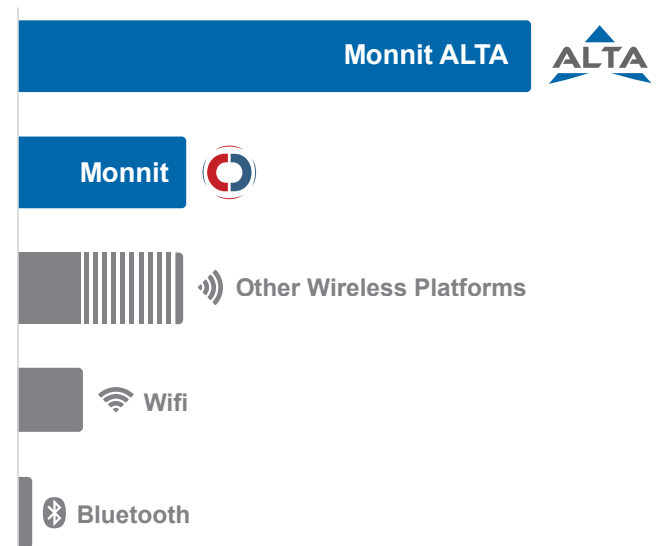
| High Performance/Low Power Comparison |                         |                         |
|---------------------------------------|-------------------------|-------------------------|
|                                       | High Performance        | Low Power               |
| Output Data Rate                      | 800 Hz                  | 12.5 Hz                 |
| Noise                                 | Normal                  | Normal                  |
| Oversampling Mode                     | Low Power               | Low Power               |
| High-Pass Filter                      | ON                      | ON                      |
| Dynamic Range                         | ±8 G                    | ±8 G                    |
| High-Pass Filter Cutoff               | 16 Hz                   | 0.25 Hz                 |
| Transient Detection                   | X,Y, & Z axis detection | X,Y, & Z axis detection |
| Dynamic Transient Threshold           | User Set, 0.063 G–8.0 G | User Set, 0.063 G–8.0 G |
| Dynamic Transient Debounce Count      | 0                       | 0                       |

### Features of Monnit ALTA Sensors

- Wireless range of 1,200+ feet through 12+ walls \*
- Frequency-Hopping Spread Spectrum (FHSS)
- Improved interference immunity
- Improved power management for longer battery life \*\* (12+ years on AA batteries)
- Encrypt-RF<sup>®</sup> Security (Diffie-Hellman Key Exchange + AES-128 CBC for sensor data messages)
- All ALTA sensors now have up to 3200 readings:
  - 10-minute heartbeats = 22 days
  - 2-hour heartbeats = 266 days
- Over-the-air updates (future proof)
- Free iMonnit basic online wireless sensor monitoring and notification system to configure sensors, view data and set alerts via SMS text and email

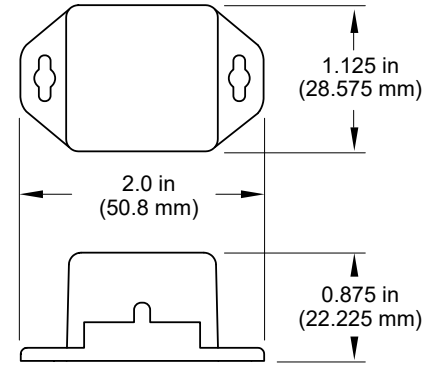
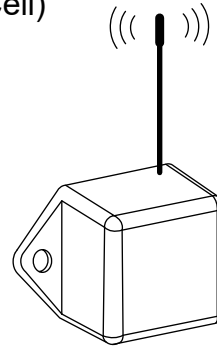
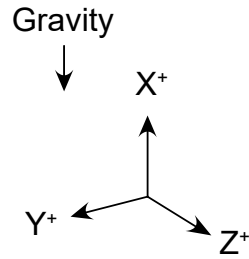
- \* Actual range may vary depending on environment.  
 \*\* Battery life is determined by sensor reporting frequency and other variables. Other power options are also available.

### Wireless Range Comparison








### Monnit Wireless Accelerometer Orientation (Commercial Coin Cell)



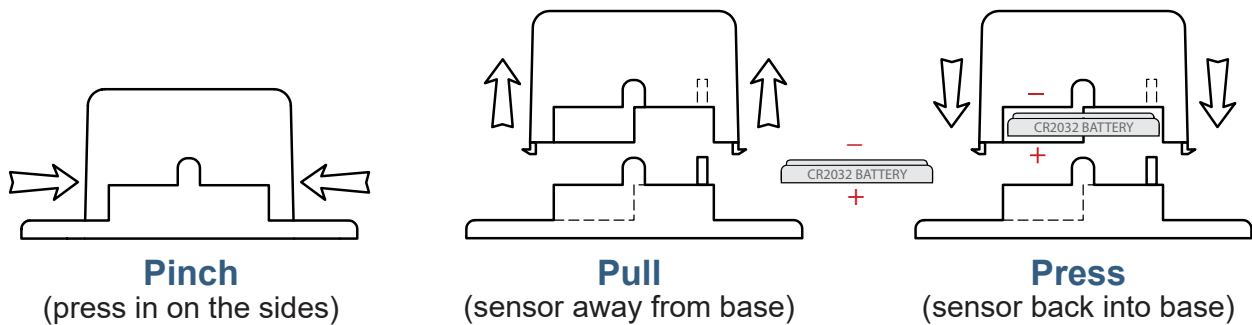
## ALTA Commercial Coin Cell Wireless Accelerometer - Impact Detect | Technical Specifications

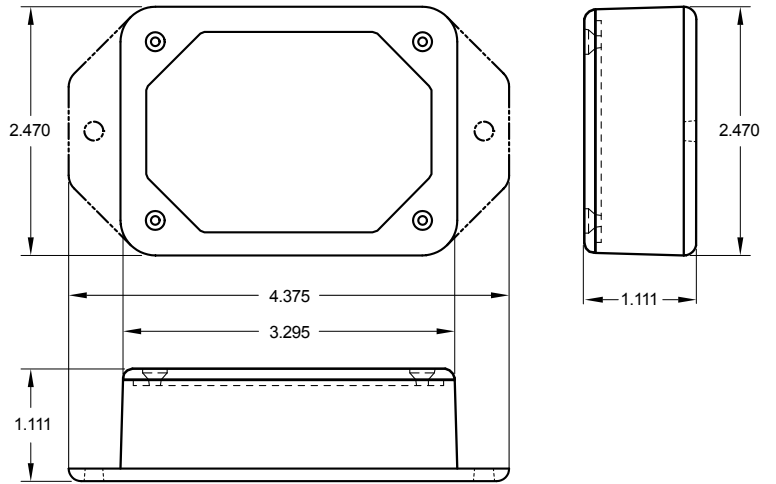
|   |  |
|---|--|
| Supply voltage  | 2.0–3.8 VDC *  |
| Current consumption   | 0.2 $\mu$ A (sleep mode), 0.7 $\mu$ A (RTC sleep), 570 $\mu$ A (MCU idle), 2.5 mA (MCU active), 5.5 mA (radio RX mode), 22.6 mA (radio TX mode)  |
| Operating temperature range (board circuitry and coin cell) | -7°C to +60°C (20°F to +140°F) **  |
| Optimal battery temperature range (coin cell)               | +10°C to +50°C (+50°F to +122°F)   |
| Sensitivity   | 4096 count/g   |
| Sensitivity range selections                                | +/-2 G, +/-4 G, +/-8 G   |
| Measurement accuracy  | $\pm$ 2.5 % (force: X, Y, Z)   |
| Minimum g-force to turn on/wake up                          | 0.050–0.100 g  |
| Fastest update interval/heart rate in any configuration     | Heartbeat: 1 minute  |
| Bandwidth for data measurement                              | 800 Hz   |
| Integrated memory   | Up to 3200 sensor messages   |
| Wireless range  | 1,200+ ft non-line-of-sight  |
| Security  | Encrypt-RF® (256-bit key exchange and AES-128 CTR)   |
| Weight  | 0.7 ounces   |
| Certifications  | <div style="display: flex; align-items: center; gap: 10px;">    </div> 900 MHz product; FCC ID: ZTL-G2SC1 and IC: 9794A-G2SC1. 868 and 433 MHz product tested and found to comply with: EN 300 220-2 V3.1.1 (2017-02), EN 300 220-2 V3.1.1 (2017-02) and EN 60950 |

\* Hardware cannot withstand negative voltage. Please take care when connecting a power device.

\*\* At temperatures above 100°C, it is possible for the board circuitry to lose programmed memory.

### PinchPower™ Enclosures





## ALTA Commercial AA Wireless Accelerometer - Impact Detect | Technical Specifications

|   |  |
|---|--|
| Supply voltage  | 2.0–3.8 VDC (3.0–3.8 VDC using power supply) *   |
| Current consumption   | 0.2 $\mu$ A (sleep mode), 0.7 $\mu$ A (RTC sleep), 570 $\mu$ A (MCU idle), 2.5 mA (MCU active), 5.5 mA (radio RX mode), 22.6 mA (radio TX mode)  |
| Operating temperature range (board circuitry and batteries) | -18°C to 55°C (0°F to 130°F) using alkaline<br>-40°C to 85°C (-40°F to 185°F) using lithium **   |
| Optimal battery temperature range (AA)                      | +10°C to +50°C (+50°F to +122°F)   |
| Sensitivity   | 4096 count/g   |
| Sensitivity range selections                                | +/-2 G, +/-4 G, +/-8 G   |
| Measurement accuracy  | $\pm$ 2.5 % (force: X, Y, Z)   |
| Minimum g-force to turn on/wake up                          | 0.050–0.100 g  |
| Fastest update interval/heart rate in any configuration     | Heartbeat: 1 minute  |
| Bandwidth for data measurement                              | 800 Hz   |
| Integrated memory   | Up to 3200 sensor messages   |
| Wireless range  | 1,200+ ft non-line-of-sight  |
| Security  | Encrypt-RF® (256-bit key exchange and AES-128 CTR)   |
| Weight  | 3.7 ounces   |
| Certifications  | 900 MHz product; FCC ID: ZTL-G2SC1 and IC: 9794A-G2SC1. 868 and 433 MHz product tested and found to comply with: EN 300 220-2 V3.1.1 (2017-02), EN 300 220-2 V3.1.1 (2017-02) and EN 60950 |



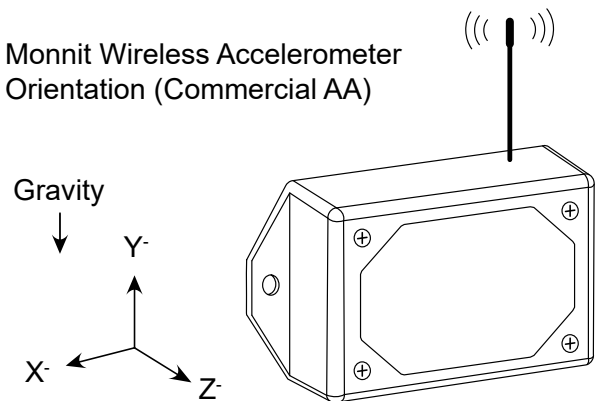
\* Hardware cannot withstand negative voltage. Please take care when connecting a power device.

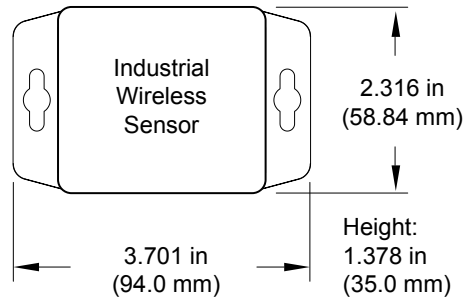
\*\* At temperatures above 100°C, it is possible for the board circuitry to lose programmed memory.

## Power Options

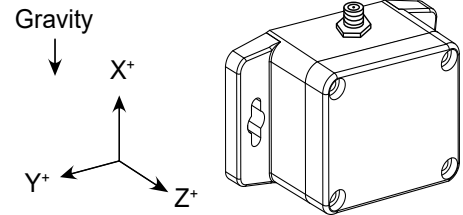
The standard version of this sensor is powered by two replaceable 1.5 V AA sized batteries (included with purchase). This sensor is also available with a line power option. The line powered version of this sensor has a barrel power connector allowing it to be powered by a standard 3.0–3.6 V power supply. The line powered version also uses two standard 1.5 V AA batteries as backup for uninterrupted operation in the event of line power outage. Power options must be selected at time of purchase, as the internal hardware of the sensor must be changed to support the selected power requirements.

### Monnit Wireless Accelerometer Orientation (Commercial AA)






Monnit Wireless Accelerometer Orientation (Industrial)



### ALTA Industrial Wireless Accelerometer - Impact Detect | Technical Specifications

|   |  |   |
|---|--|---|
| Supply voltage  | 2.0–3.8 VDC (3.0–3.8 VDC using power supply) *   |   |
| Current consumption                                       | 0.2 $\mu$ A (sleep mode), 0.7 $\mu$ A (RTC sleep), 570 $\mu$ A (MCU idle), 2.5 mA (MCU active), 5.5 mA (radio RX mode), 22.6 mA (radio TX mode)  |   |
| Operating temperature range (board circuitry and battery) | -40°C to +85°C (-40°F to +185°F) **  |   |
| Included battery  | Max temperature range  | -40° to +85°C (-40° to +185°F)                        |
|   | Capacity   | 1500 mAh  |
| Optional solar feature                                    | Solar panel  | 5VDC/30mA (53mm x 30mm)                               |
|   | Charging temperature range   | 0° to 45°C (32° to 113°F)                             |
|   | Max temperature range  | -20° to 60°C (-4° to 140°F)                           |
|   | Included rechargeable battery  | 600 mAh/>2000 charge cycles (80% of initial capacity) |
|   | Solar efficiency   | Optimized for high and low-light operation ***        |
|   | Charging efficiency  | 40% ****  |
|   | Luminous sustainability  | 250 LUX ****  |
| Sensitivity   | 4096 count/g   |   |
| Sensitivity range selections                              | +/-2 G, +/-4 G, +/-8 G   |   |
| Measurement accuracy                                      | $\pm$ 2.5 % (force: X, Y, Z)   |   |
| Minimum g-force to turn on/wake up                        | 0.050–0.100 g  |   |
| Fastest update interval/heart rate in any configuration   | Heartbeat: 1 minute  |   |
| Bandwidth for data measurement                            | 800 Hz   |   |
| Integrated memory   | Up to 3200 sensor messages   |   |
| Wireless range  | 1,200+ ft non-line-of-sight  |   |
| Security  | Encrypt-RF® (256-bit key exchange and AES-128 CTR)   |   |
| Weight  | 4.7 ounces   |   |
| Enclosure rating  | NEMA 1, 2, 4, 4x, 12 and 13 rated, sealed and weather proof  |   |
| UL rating   | UL Listed to UL508-4x specifications (File E194432)  |   |
| Certifications  |  900 MHz product; FCC ID: ZTL-G2SC1 and IC: 9794A-G2SC1. 868 and 433 MHz product tested and found to comply with: EN 300 220-2 V3.1.1 (2017-02), EN 300 220-2 V3.1.1 (2017-02) and EN 60950 |   |

\* Hardware cannot withstand negative voltage. Please take care when connecting a power device.

\*\* At temperatures above 100°C, it is possible for the board circuitry to lose programmed memory.

\*\*\* Light present 25% of day yields 125% of operating power to support 10-minute heartbeats.

\*\*\*\* Solar feature's energy harvesting circuitry works indoors with low light.

## Commercial Grade Sensors

Monnit commercial grade sensors are designed for applications in ordinary environments (normal room temperature, humidity and atmospheric pressure). Do not use these sensors under the following conditions as these factors can deteriorate the product characteristics and cause failures and burnout.

- Corrosive gas or deoxidizing gas: chlorine gas, hydrogen sulfide gas, ammonia gas, sulfuric acid gas, nitric oxides gas, etc.
- Volatile or flammable gas
- Dusty conditions
- Low-pressure or high-pressure environments
- Wet or excessively humid locations
- Places with salt water, oils chemical liquids or organic solvents
- Where there are excessively strong vibrations
- Other places where similar hazardous conditions exist

Use these products within the specified temperature range. Higher temperature may cause deterioration of the characteristics or the material quality.

## Industrial Grade Sensors | Type 1, 2, 4, 4X, 12 and 13 NEMA Rated Enclosure

Monnit's Industrial sensors are enclosed in reliable, weatherproof NEMA-rated enclosures. Our NEMA-rated enclosures are constructed for both indoor or outdoor use and protect the sensor circuitry against the ingress of solid foreign objects like dust as well as the damaging effects of water (rain, sleet, snow, splashing water, and hose-directed water).

- Safe from falling dirt
- Protects against wind-blown dust
- Protects against rain, sleet, snow, splashing water, and hose-directed water
- Increased level of corrosion resistance
- Will remain undamaged by ice formation on the enclosure



For more information about our products or to place an order, please contact our sales department at 801-561-5555.

Visit us on the web at [www.monnit.com](http://www.monnit.com).

Monnit Corporation  
3400 South West Temple  
Salt Lake City, UT 84115  
801-561-5555  
[www.monnit.com](http://www.monnit.com)