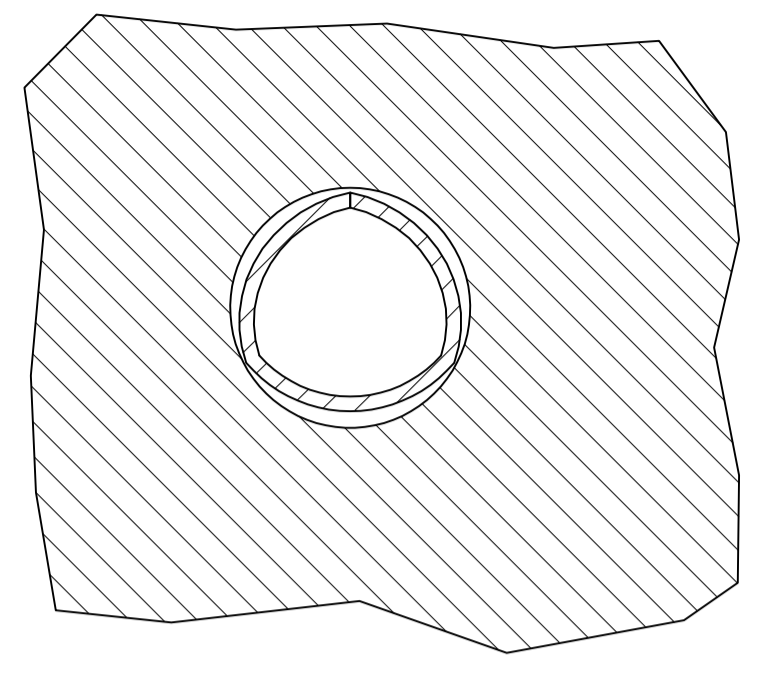
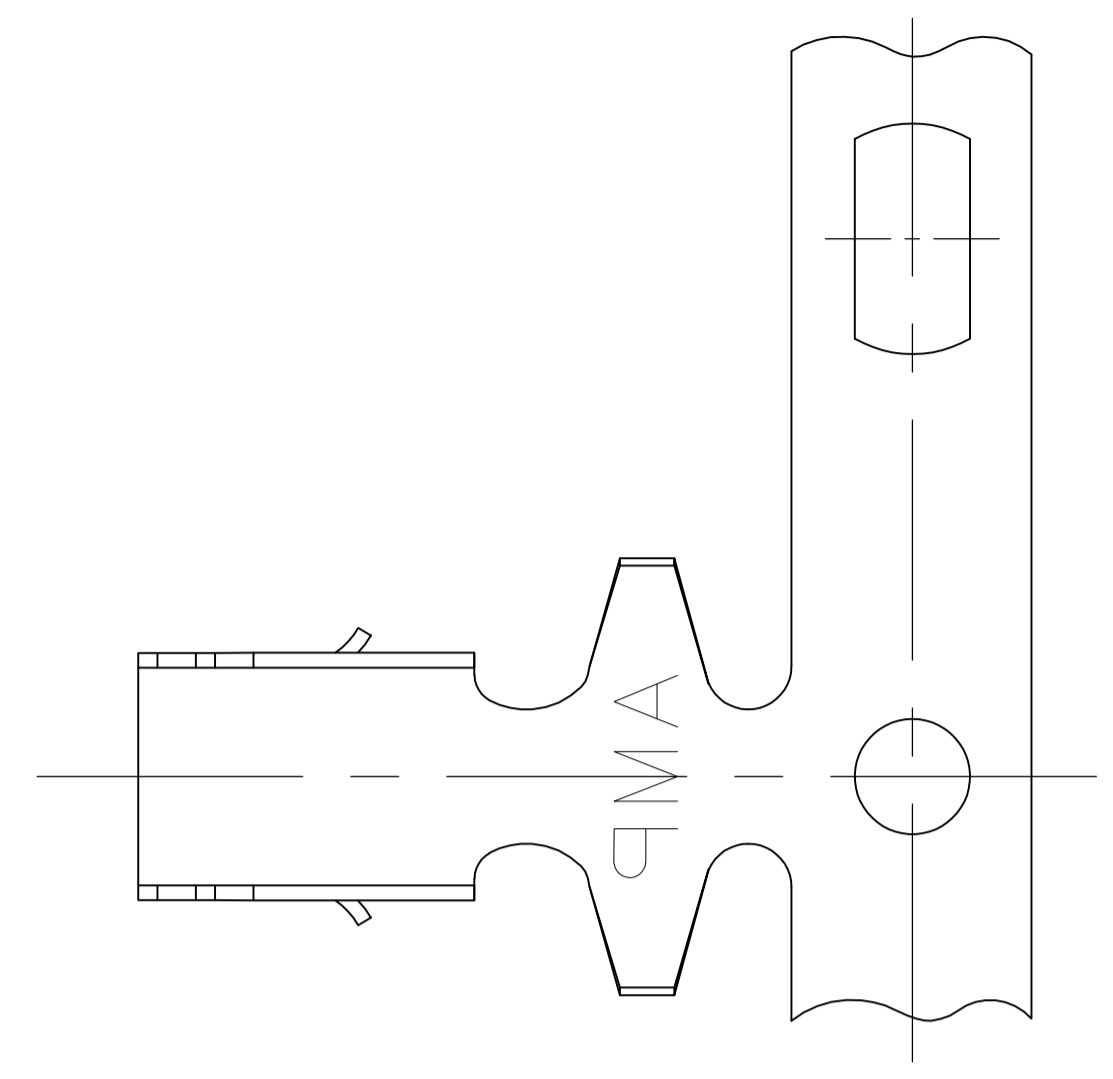
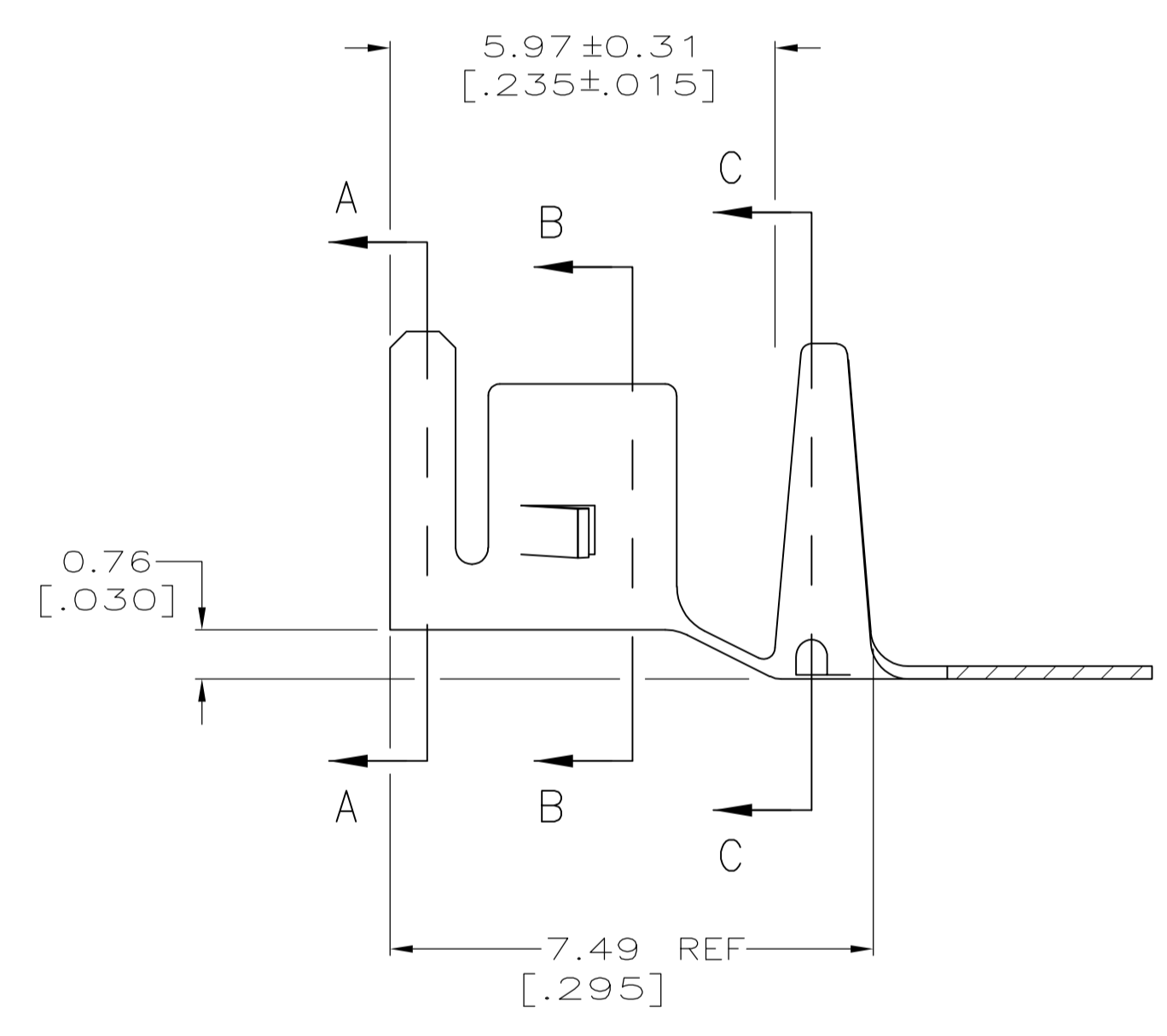


LOC		DIST		REVISIONS			
CM	00	REV	DATE	BY	CHKD	APVD	
C3		REVISED PER ECO-12-014997	23AUG12	KH	SM		

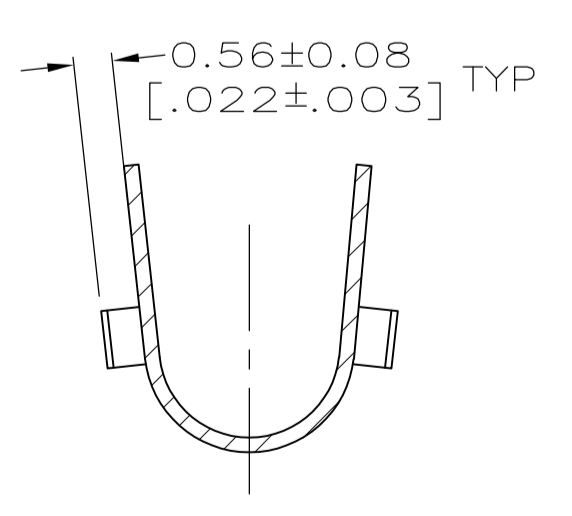
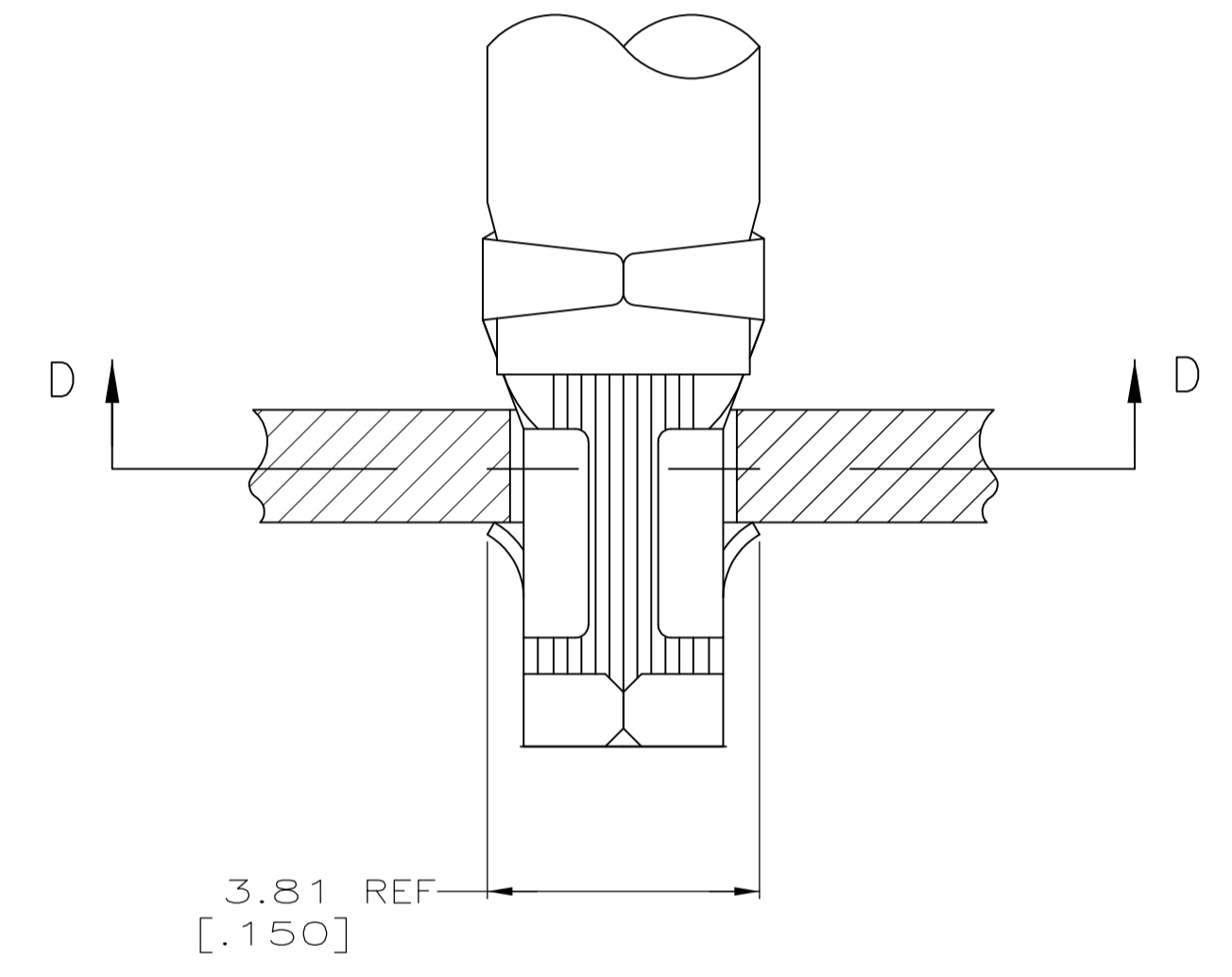
- 1 PARTS COMPLY WITH AMP SOLDERABILITY SPEC 109-11-3.
- 2 WIRE RANGE: 3-5.5 mm<sup>2</sup> [12-10 AWG].
- 3 INSULATION DIAMETER: 5.08 [.200] MAX.
- 4 DIMENSIONS IN BRACKETS ARE IN INCHES.
- 5 0.00508 [.000200] MIN BRIGHT TIN-LEAD.
- 6 0.00508 [.000200] MIN HALT TIN.



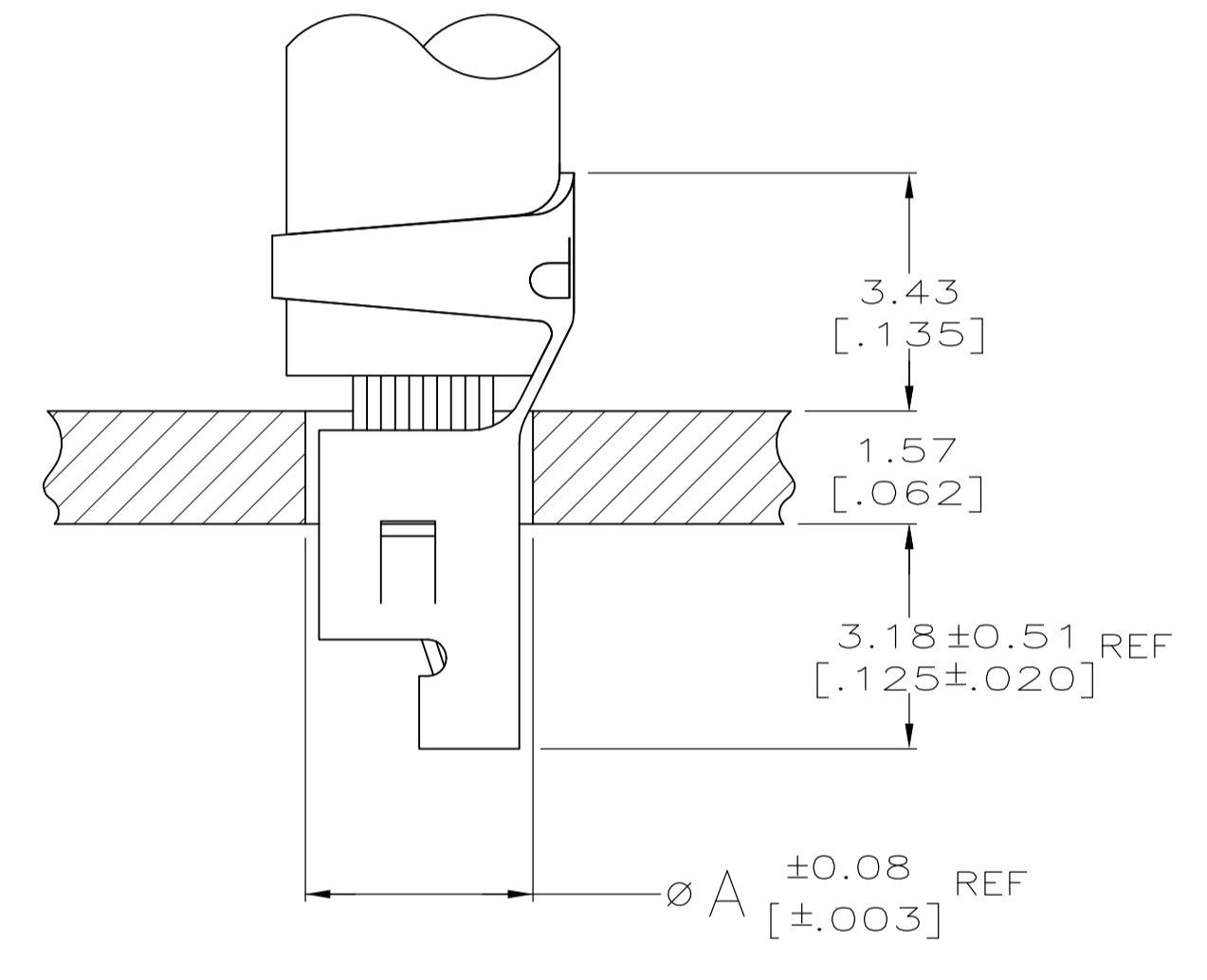
SECTION D-D



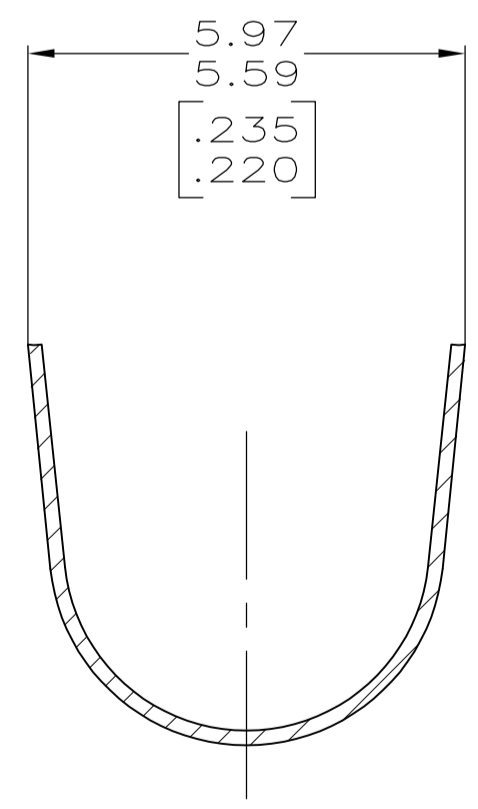
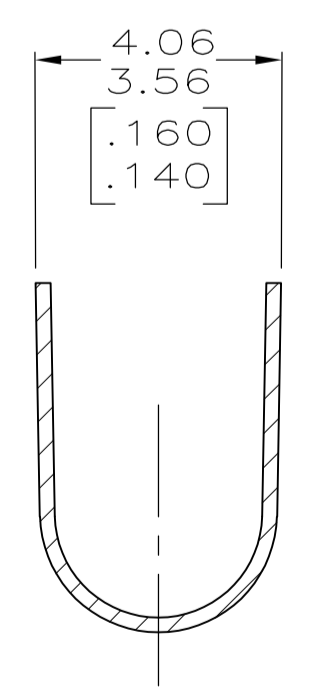
SECTION A-A



SECTION B-B



SECTION C-C



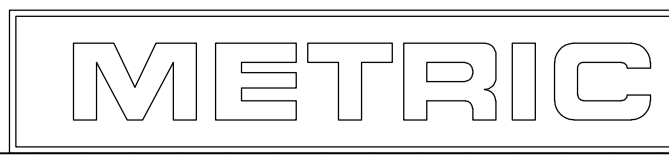
3.76 [.148]	10
3.18 [.125]	12
A	AWG

6	3-794037-1
5	-794037-1
FINISH	PART NO.

SUPERSEDED BY  
3-794037-1

THIS DRAWING IS A CONTROLLED DOCUMENT.

DIMENSIONS: INCHES	TOLERANCES UNLESS OTHERWISE SPECIFIED:	DIN S. CARPENTER 22AUG2003	APVD J. ELLIS 22AUG2003	NAME
0 PLC ±	1 PLC ±	2 PLC ±	3 PLC ± 0.13 [.005]	PRODUCT SPEC
4 PLC ±	ANGLES ±	APPLICATION SPEC		
MATERIAL 0.198 [.0078] PH BRZ	FINISH	WEIGHT	A1 00779 C=794037	RESTRICTED TO
CUSTOMER DRAWING		SCALE 10:1	SHEET 1 OF 1	REV C3



TE Connectivity

TERMINAL, AMP-IN