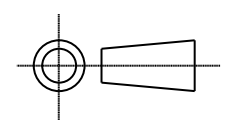


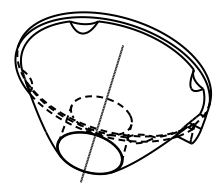
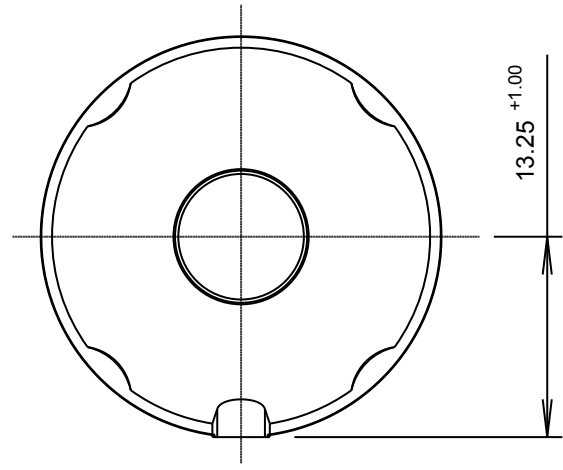
| | | | |
|------|-----------|--------|---------------|
| ISS. | DATE | E.C.N. | DESCRIPTION |
| 1 | 01-Aug-08 | | FIRST RELEASE |

© 2008 CARCLO
ALL DIMENSIONS IN mm



CARCLO TECHNICAL PLASTICS (SLOUGH) LTD.
111 BUCKINGHAM AVE, SLOUGH
SL1 4PF, ENGLAND
TEL: +44 1753 575011 FAX: +44 1753 811359
e-mail: design@ctpcoil.co.uk}

CUSTOMER DRAWING



SCALE 1:1
GENERAL VIEW

GENERAL TOLERANCES (UNLESS STATED)

| LINEAR | ANGULAR |
|---------------|---------------|
| X +/- 0.25 | X +/- 1° |
| X.X +/- 0.1 | X.X +/- 0.5° |
| X.XX +/- 0.05 | X.XX +/- 0.1° |

CUSTOMER

TITLE

26.5mm OPTIC 0.8mm OFFSET
NARROW FROSTED

DRAWN M.K. DATE 01-Aug-08

CHK'D DATE

APP'D DATE

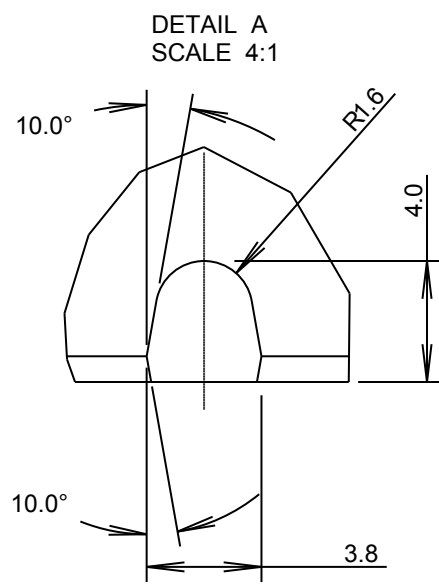
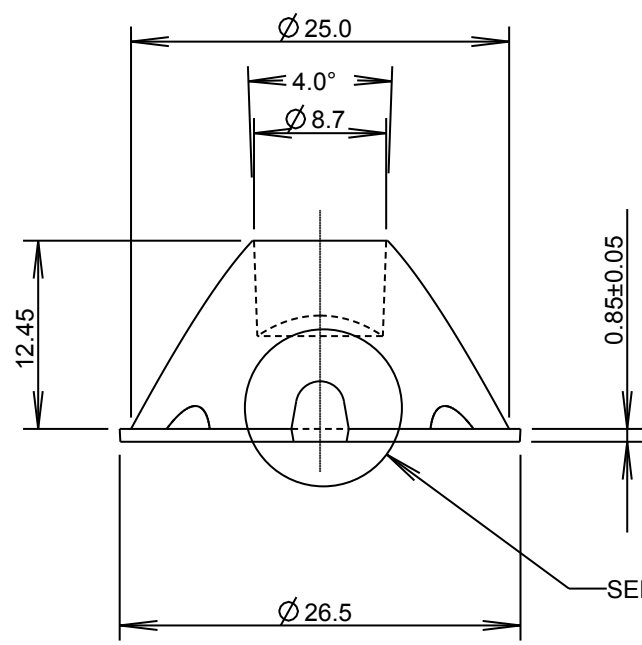
SCALE
2:1

COIL PART No.
10392

SIZE
A4

COIL DRG. No.
60508

SHEET
1 OF 1



MATERIAL: POLYCARBONATE