

1747786-1 ✓ ACTIVE

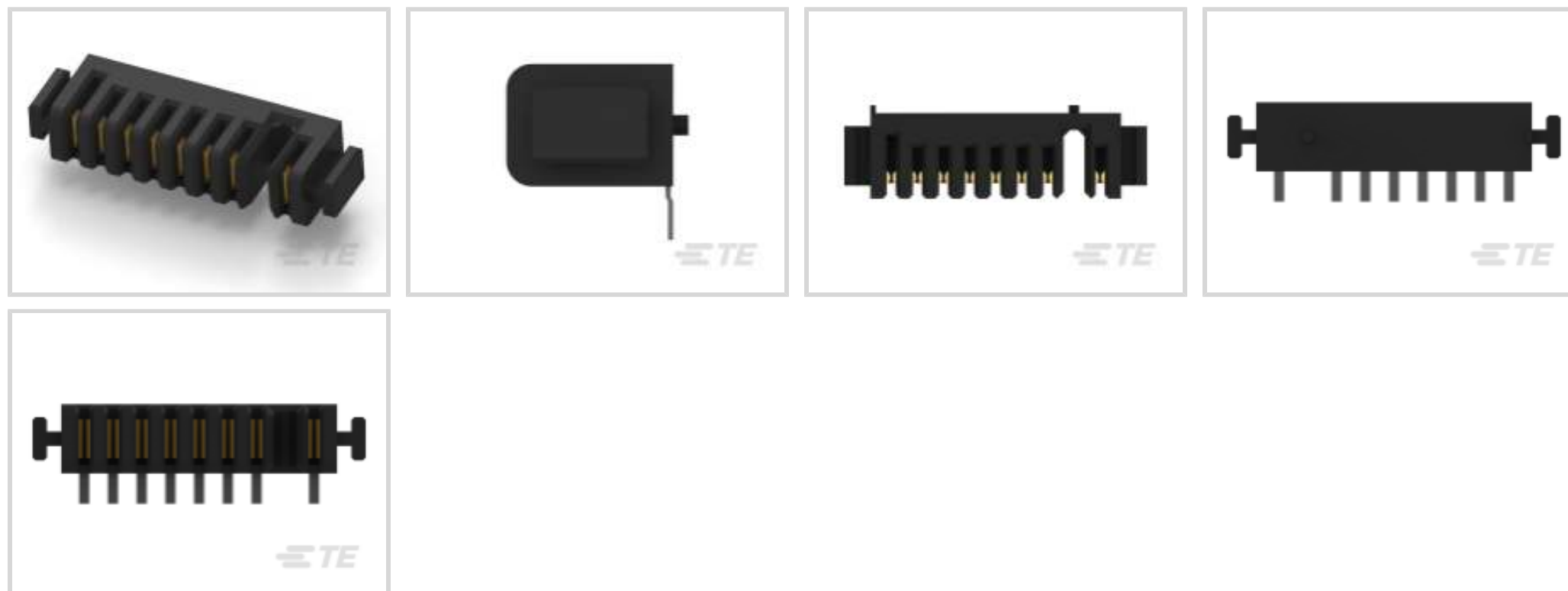


TE Internal #: 1747786-1

DC Jack Connectors, Board-to-Board, 8 Position, .079 in [2 mm]
Centerline, Receptacle, 30 VDC, Vertical, Printed Circuit Board,
Power & Signal

[View on TE.com >](#)

Connectors > PCB Connectors > Battery Connectors & Holders > DC Jack Connectors



Connector System: **Board-to-Board**

Number of Positions: **8**

Centerline (Pitch): **2 mm [.079 in]**

Connector & Housing Type: **Receptacle**

Operating Voltage: **30 VDC**

Features

Product Type Features

Connector System	Board-to-Board
Connector & Housing Type	Receptacle
Connector & Contact Terminates To	Printed Circuit Board

Configuration Features

Number of Positions	8
PCB Mount Orientation	Vertical

Electrical Characteristics

Operating Voltage	30 VDC
-------------------	--------

Contact Features

Contact Current Rating (Max)	6 A, 8 A
------------------------------	----------

Mechanical Attachment

PCB Mount Retention	With
PCB Mount Retention Type	Locating Post
Connector Mounting Type	Board Mount

Housing Features

Centerline (Pitch)	2 mm[.079 in]
--------------------	---------------

Usage Conditions

Operating Temperature Range	-20 – 80 °C[-4 – 176 °F]
-----------------------------	--------------------------

Operation/Application

Circuit Application	Power & Signal
---------------------	----------------

Industry Standards

UL Flammability Rating	UL 94V-0
------------------------	----------

Packaging Features

Packaging Quantity	70
Packaging Method	Tray

Other

PCB Connectors Comment	Reverse housing.
------------------------	------------------

Product Compliance

[For compliance documentation, visit the product page on TE.com>](#)

EU RoHS Directive 2011/65/EU	Compliant
EU ELV Directive 2000/53/EC	Compliant
China RoHS 2 Directive MIIT Order No 32, 2016	No Restricted Materials Above Threshold
EU REACH Regulation (EC) No. 1907/2006	Current ECHA Candidate List: JUNE 2023 (235) Candidate List Declared Against: JUNE 2023 (235) Does not contain REACH SVHC
Halogen Content	Not Low Halogen - contains Br or Cl > 900 ppm.
Solder Process Capability	Reflow solder capable to 245°C

Product Compliance Disclaimer

This information is provided based on reasonable inquiry of our suppliers and represents our current actual knowledge based on the information they provided. This information is subject to change. The part numbers that TE has identified as EU RoHS compliant have a maximum concentration of 0.1% by weight in homogenous materials for lead, hexavalent chromium, mercury, PBB, PBDE, DBP, BBP, DEHP, DIBP, and 0.01% for cadmium, or qualify for an exemption to these limits as defined in the Annexes of Directive 2011/65/EU (RoHS2). Finished electrical and electronic equipment products will be CE marked as required by Directive 2011/65/EU. Components may not be CE marked. Additionally, the part numbers that TE has identified as EU ELV compliant have a maximum concentration of 0.1% by weight in homogenous materials for lead, hexavalent chromium, and mercury, and 0.01% for cadmium, or qualify for an exemption to these limits as defined in the Annexes of Directive 2000/53/EC (ELV). Regarding the REACH Regulation, the information TE provides

on SVHC in articles for this part number is based on the latest European Chemicals Agency (ECHA) 'Guidance on requirements for substances in articles' posted at this URL: <https://echa.europa.eu/guidance-documents/guidance-on-reach>

Compatible Parts




TE Part # 1747785-1
PACKING,PLUG ASSY. 8POS. 2MM PITCH BATTE



TE Part # 1932460-1
PLUG ASSY. 8POS. 2MM PITCH BATTERY CONNE



TE Part # 1747785-3
PACKING,PLUG ASSY. 8POS. 2MM PITCH BATTE



TE Part # 2201786-1
2mm pitch Battery Rec. Tray Assy. 8Pos.

Customers Also Bought



TE Part #2309407-1
DDR4 SODIMM 260P 4.0H STD



TE Part #925369-4
MOD IV HSG



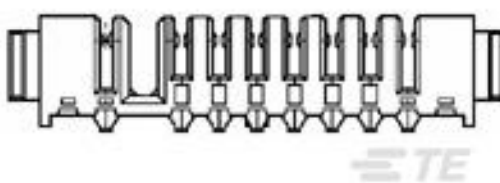
TE Part #1-1123723-8
3.96 EP HDR ASSY 8P(NATURAL)



TE Part #2132415-3
EP2.5 Shrouded HDR ASSY 3P VERT w /o boss



TE Part #2132415-6
EP2.5 Shrouded HDR ASSY 6P VERT w /o boss



TE Part #1717620-1
2.5MM PITCH BATTERY REC. ASSY 8POS. R/A



TE Part #2127934-6
C/A, SFP+, GENERIC, 5.0M



TE Part #C906593001
FLHTC0311-0.25-0



TE Part #2047723001
FLHTC0311-0.25-2



TE Part #CD02143001
FLHTC0311-0.25-4

Documents

Product Drawings

PACKING,REC. ASSY. 8POS. 2MM PITCH BATTE

Japanese



CAD Files

3D PDF

English

Customer View Model

[ENG_CVM_1747786-1_O.3d_igs.zip](#)

English

Customer View Model

[ENG_CVM_1747786-1_O.3d_stp.zip](#)

English

Customer View Model

[ENG_CVM_1747786-1_O.2d_dxf.zip](#)

English

By downloading the CAD file I accept and agree to the [Terms and Conditions](#) of use.

Datasheets & Catalog Pages

[POWER_CONNECTORS_CATALOG_SEC09_LAPTOPS_PORTABLES](#)

English

[2_PIECE_POWER_CONNECTORS_qrg_4-1773458-1](#)

English

Product Specifications

Product Specification

Japanese

Product Environmental Compliance

[MD_1747786-1_01092012929](#)

English

[MD_1747786-1_01092012929](#)

English