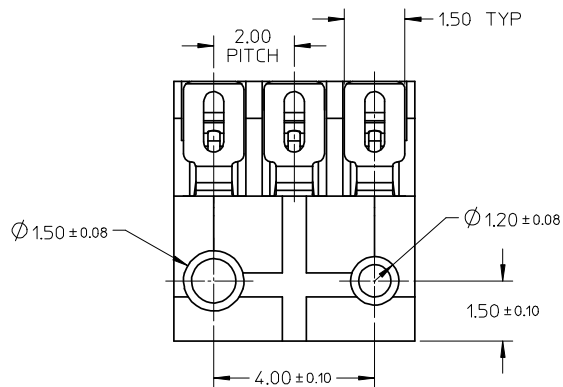


SECTION Z-Z



- NOTE:
- MATERIAL:
HOUSING: HIGH TEMPERATURE THERMAL PLASTIC, COLOR: BLACK.
TERMINAL: COPPER ALLOY, THICKNESS 0.20MM.
 - FINISH:
CONTACT AREA: 0.75 MICRON GOLD MIN OVER 1.25 MICRON NICKEL MIN.
SOLDER AREA: GOLD FLASH OVER 1.25 MICRON NICKEL MIN.
REST AREA: 1.25 MICRON NICKEL MIN.
 - COPLANARITY: 0.1 MAX AMONG THESE SOLDER TAILS.
 - PRODUCT SPECIFICATION: PS-105040-001

RELEASED EC NO: SH2008-0623 DRWN: YWANG91 CHKD: YLZHU APPR: HWANG	2008/06/06 2008/06/06 2008/06/10	DESCRIPTION REV	QUALITY SYMBOLS	GENERAL TOLERANCES (UNLESS SPECIFIED)	DIMENSION STYLE	SCALE	DESIGN UNITS	THIRD ANGLE PROJECTION																		
			$\nabla = 0$ $\nabla \epsilon = 0$	<table border="1"> <tr> <th></th> <th>mm</th> <th>INCH</th> </tr> <tr> <td>4 PLACES</td> <td>± ---</td> <td>± ---</td> </tr> <tr> <td>3 PLACES</td> <td>± ---</td> <td>± ---</td> </tr> <tr> <td>2 PLACES</td> <td>± 0.15</td> <td>± ---</td> </tr> <tr> <td>1 PLACE</td> <td>± 0.2</td> <td>± ---</td> </tr> </table>		mm	INCH	4 PLACES	± ---	± ---	3 PLACES	± ---	± ---	2 PLACES	± 0.15	± ---	1 PLACE	± 0.2	± ---	MM ONLY	8:1	METRIC				
				mm	INCH																					
			4 PLACES	± ---	± ---																					
3 PLACES	± ---	± ---																								
2 PLACES	± 0.15	± ---																								
1 PLACE	± 0.2	± ---																								
DRAFT WHERE APPLICABLE MUST REMAIN WITHIN DIMENSIONS	<table border="1"> <tr> <th>DRAWN BY</th> <th>DATE</th> <th>TITLE</th> </tr> <tr> <td>YWANG</td> <td>2008/03/12</td> <td rowspan="4">2.0MM PITCH 3 CIRCUITS BATTERY CONNECTOR</td> </tr> <tr> <th>CHECKED BY</th> <th>DATE</th> </tr> <tr> <td>YLZHU</td> <td>2008/03/12</td> </tr> <tr> <th>APPROVED BY</th> <th>DATE</th> </tr> <tr> <td>HWANG</td> <td>2008/03/12</td> <td></td> </tr> </table>	DRAWN BY	DATE	TITLE	YWANG	2008/03/12	2.0MM PITCH 3 CIRCUITS BATTERY CONNECTOR	CHECKED BY	DATE	YLZHU	2008/03/12	APPROVED BY	DATE	HWANG	2008/03/12		<table border="1"> <tr> <th>MATERIAL NO.</th> <th>DOCUMENT NO.</th> </tr> <tr> <td>1050400001</td> <td>SD-105040-001</td> </tr> </table>	MATERIAL NO.	DOCUMENT NO.	1050400001	SD-105040-001	<table border="1"> <tr> <th>SIZE</th> <th>SHEET NO.</th> </tr> <tr> <td>A3</td> <td>1 OF 1</td> </tr> </table>	SIZE	SHEET NO.	A3	1 OF 1
DRAWN BY	DATE	TITLE																								
YWANG	2008/03/12	2.0MM PITCH 3 CIRCUITS BATTERY CONNECTOR																								
CHECKED BY	DATE																									
YLZHU	2008/03/12																									
APPROVED BY	DATE																									
HWANG	2008/03/12																									
MATERIAL NO.	DOCUMENT NO.																									
1050400001	SD-105040-001																									
SIZE	SHEET NO.																									
A3	1 OF 1																									
THIS DRAWING CONTAINS INFORMATION THAT IS PROPRIETARY TO MOLEX INCORPORATED AND SHOULD NOT BE USED WITHOUT WRITTEN PERMISSION					MOLEX INCORPORATED																					