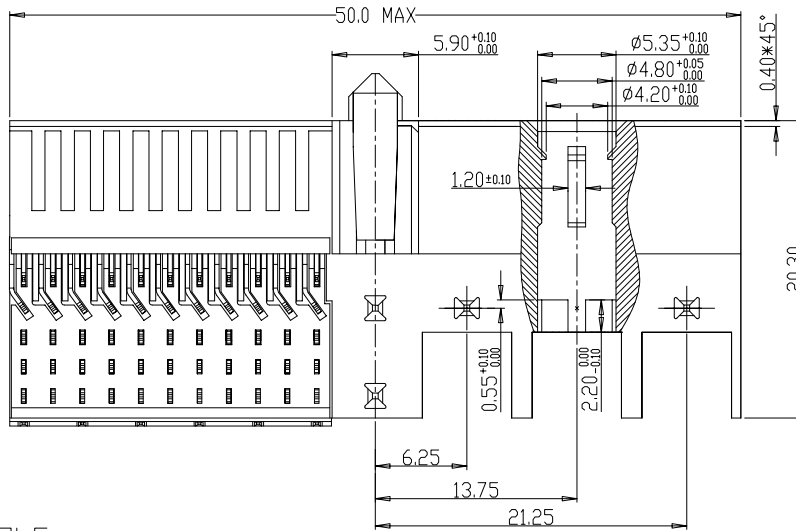
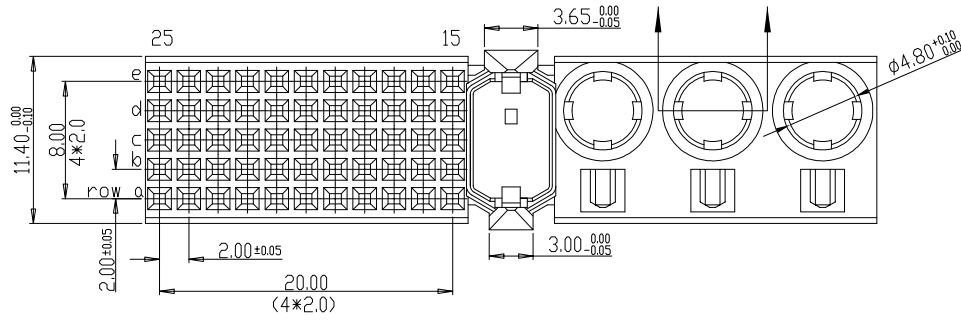


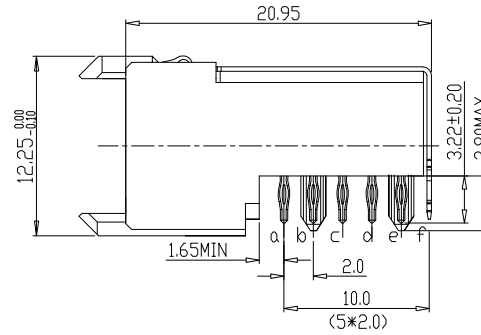
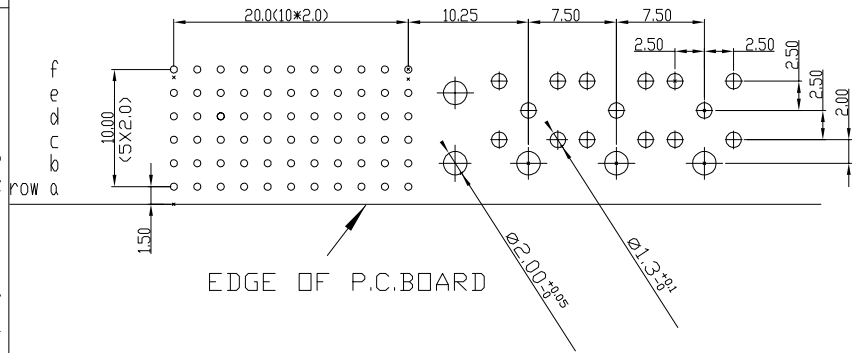
Tous droits strictement réservés. Reproduction ou communication à des tiers interdite sous quelque forme que ce soit sans autorisation écrite du propriétaire. Propriété de c FCI. Droits de reproduction FCI.



All rights strictly reserved. Reproduction or issue to third parties in any form whatever is not permitted without written authority from the proprietor. Property of FCI. Copyright FCI.



LAY-OUT  
P.C.B.- HOLE



PERFORMANCE CHARACTERISTICS

- CURRENT RATING: 1.5 A AT 20°C (FULLY LOADED)  
1 A AT 70°C (FULLY LOADED)
- RATED VOLTAGE: 500 V AC (CONT /CONT)
- OPERATING TEMPERATURE: -55°C TO 125°C
- CONTACT RESISTANCE: <math>\pm 20\text{ m}\Omega\text{ MAX}</math>
- INSERTION FORCE: 0.75N MAX/CONT
- EXTRACTION FORCE: 0.15N MIN /CONT
- INSULATION RESISTANCE:  $10^4\text{ M}\Omega\text{ MIN}$

NOTES

- LEAD FREE INDICATOR (LF=LEAD FREE)
   
 PERFORMANCE LEVEL INDICATOR  
(REF DWG NO.BS.C.201844.003)
- THIS PRODUCT IS CSA APPROVED.  
THIS PRODUCT IS UL RECOGNIZED.
- FOR RECOMMENDED PTH DIMENSIONS REFER DRAWING (BS.A.201572.001)
- THIS PRODUCT (LF) MEETS EUROPEAN UNION DIRECTIVES AND OTHER COUNTRY REGULATIONS AS DESCRIBED IN GS-22-008

rev	ecn no	dr	date
A	CONVERSION REVISION 01	KN	14-09-01
B	I05-0081	ALEX	31-05-05
C	DG07-0362	Kosor	05-09-07
D	DG10-0110	NZ	05-30-10
-	-	-	-
-	-	-	-

Material		Spec ref		
Mat code		tolerance 1DEC+02 1DEC 2DEC ± 0.10 2DEC ANGLES±0°30'±0.05	projection 	MM ↔
Heattreat				
Plating/Finish		size A4	Scale 1.500	D
Dr	M.Fret			
Eng		Product family		MILLIPICS
Chr		Model Name		ECN
Appr		Model Revision		REL Level
		title		RIGHT ANGLE RECEPTACLE CONNECTOR /TYPE M
Pro/E file		catalog no	HM2R05PA5108----	Customer
		dwg no	BS,C ,201444,051	Rev. D
		sheet 1 of 1		