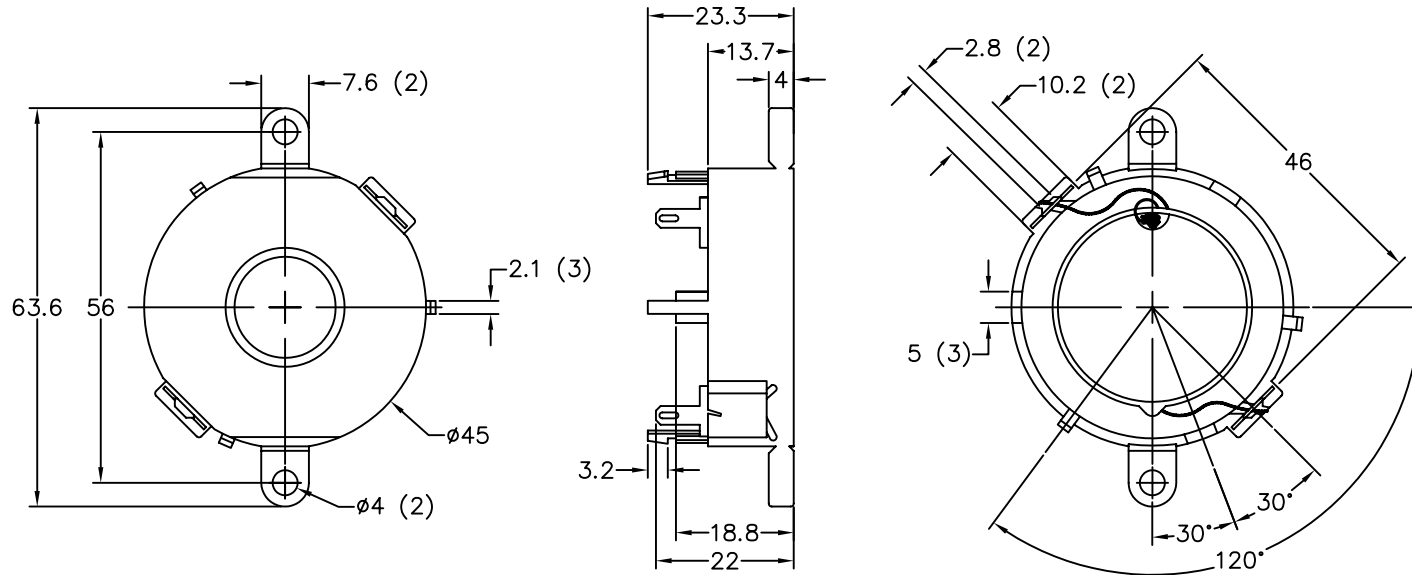


THIS DOCUMENT CONTAINS DATA PROPRIETARY TO PROJECTS UNLIMITED, INC. ANY USE OR REPRODUCTION, IN ANY FORM, WITHOUT PRIOR WRITTEN PERMISSION OF PROJECTS UNLIMITED, INC. IS PROHIBITED.  
© 2005, Projects Unlimited Inc.

### SPECIFICATIONS

PARAMETERS	VALUES	UNITS
RATED VOLTAGE	12	Vp-p
OPERATING VOLTAGE RANGE	1 ~ 50	Vp-p
CAPACITANCE	140000±30%	pF
MINIMUM SPL @ 10 CM	110	dBA
RESONANT FREQUENCY	3400±500	Hz
OPERATING TEMPERATURE	-40 ~ +105	°C
STORAGE TEMPERATURE	-40 ~ +105	°C
HOUSING MATERIAL	PA6	-
TERMINAL MATERIAL	Sn PLATED COPPER	-
WEIGHT	12.3	grams


REVISIONS			
LTR	DESCRIPTION	DATE	APPROVED
-	RELEASED FROM ENGINEERING	11/22/06	



**NOTES:**

1. ALL DIMENSIONS ARE IN MILLIMETERS.
2. SPECIFICATION SUBJECT TO CHANGE OR WITHDRAWAL WITHOUT NOTICE.
3. THIS PART IS 2002/95/EC COMPLIANT.

FILE NAME  
AT-4534-TT-R.DWG

UNLESS OTHERWISE SPECIFIED: DIMENSIONS ARE IN MILLIMETERS, TOLERANCES ARE ±0.5 AND ANGLES ARE ±3°.		 projects® unlimited Dayton, Ohio	
APPROVALS		DATE	
DRAWN	J.D.	11/06	
CHECKED	D.F.	11/06	
APPROVED	R.W.	11/06	
DO NOT SCALE DRAWING		SIZE A	DRAWING NO. AT-4534-TT-R
		SCALE: N.T.S.	SHEET 1 OF 1