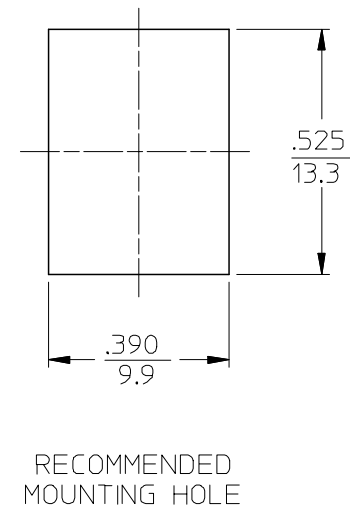
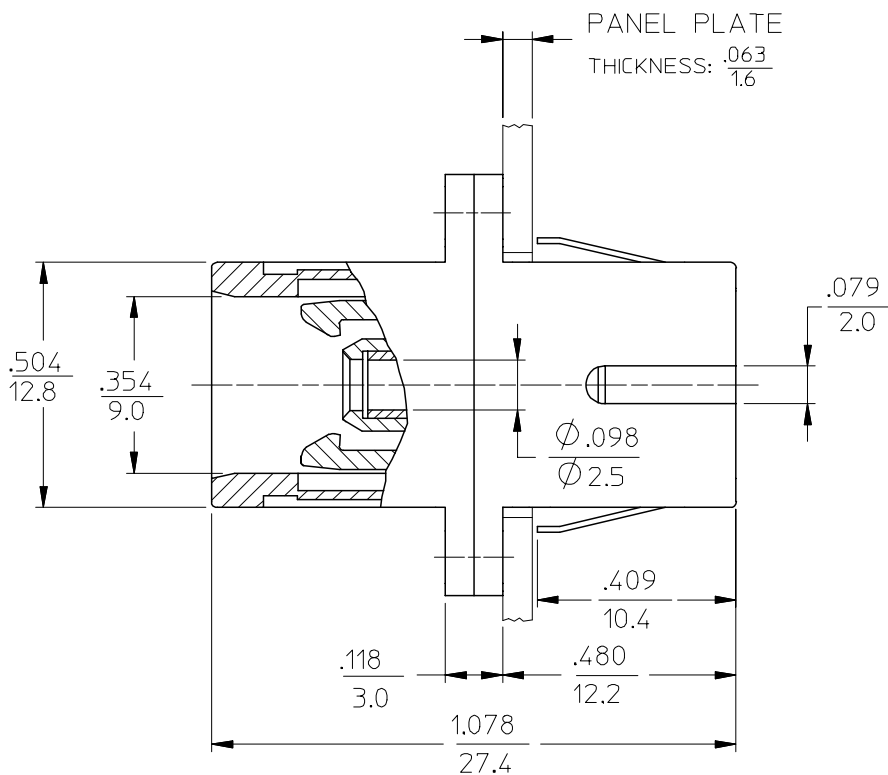
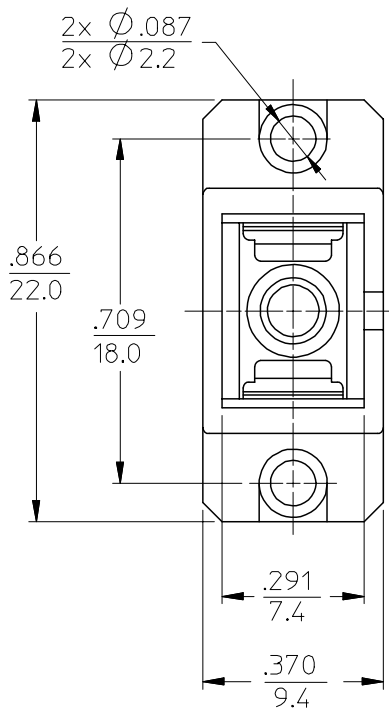


10 9 8 7 6 5 4 3 2 106160

ADAPTER P/N	SPRING LEVER COLOR	MATERIAL OF SLEEVE	SHELL COLOR
106160-0000	BLUE	PHOSPHOR BRONZE	BLUE
106161-0000		Zr,	
106160-0100*		LOW COST	
106160-1000	BLACK	PHOSPHOR BRONZE	RED
106161-1000		Zr	
106160-2000		PHOSPHOR BRONZE	BLACK
106161-2000	Zr		
106160-3000	BLUE	PHOSPHOR BRONZE	GREEN
106160-3100*		Zr,	
106161-3000		LOW COST	
106161-3100*			
106160-5000	BLACK	PHOSPHOR BRONZE	BEIGE
106161-5000		Zr	



NOTES:

- DUST CAPS ARE NOT SHOWN BUT INCLUDED.
- *2. P/Ns 106160-3100, 106161-0100 AND 106161-3100 ARE BULK PACKED IN QUANTITIES OF 100 pcs.
- ALL MATERIALS USED IN ADAPTER MEET UL94 V-0.

ENTER DESCRIPTION EC NO: MF2007-0737 DRWN:KPEVNER CHKD: APPR:IGUMIN 2007/05/30 2007/05/30 2007/05/30	QUALITY SYMBOLS	GENERAL TOLERANCES (UNLESS SPECIFIED)		DIMENSION STYLE		SCALE	DESIGN UNITS	THIRD ANGLE PROJECTION	
	▽=0	mm	INCH	IN/MM		4:1	INCH		
	▽=0	4 PLACES ± ---	± ---	DRAWN BY		DATE	TITLE		
		3 PLACES ± ---	± ---	RPACIFICI		2005/12/22	SC TYPE ADAPTER		
	2 PLACES ± ---	± ---	CHECKED BY		DATE	MATERIAL NO.			
	1 PLACE ± ---	± ---	APPROVED BY		DATE	DOCUMENT NO.			
	ANGULAR ±1/2°	DRAFT WHERE APPLICABLE MUST REMAIN WITHIN DIMENSIONS		SEE TABLE		SD-10616X-X000		SHEET NO.	
B2	REV			SIZE B		THIS DRAWING CONTAINS INFORMATION THAT IS PROPRIETARY TO MOLEX INCORPORATED AND SHOULD NOT BE USED WITHOUT WRITTEN PERMISSION			

9 8 7 6 5 4 3 2 1