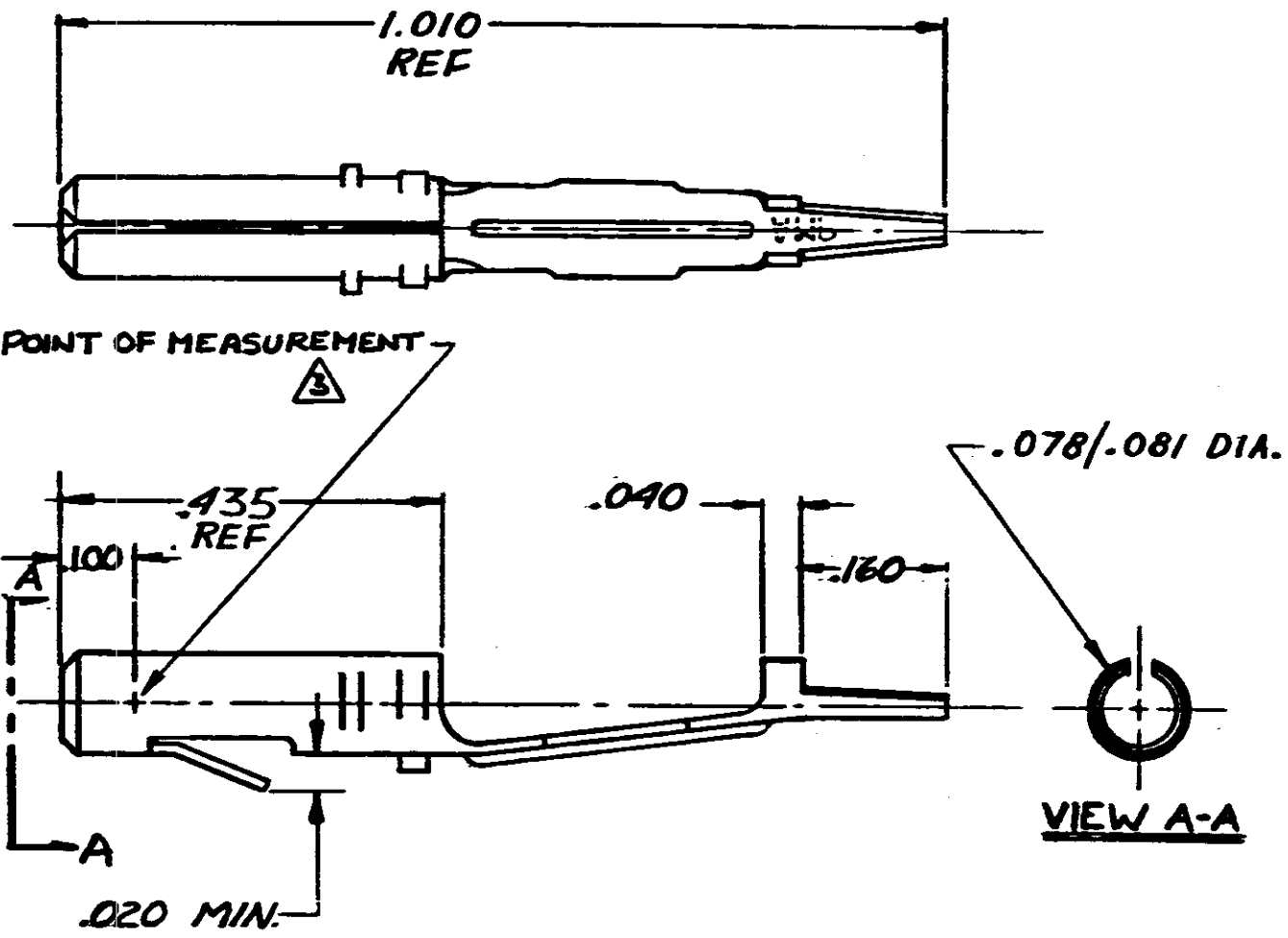


SHEET 1 OF 2
NUMBER 61320



1. TERMINAL SUPPLIED IN INDIVIDUAL FORM, NOT AS CONTINUOUS STRIP.
2. PARTS COMPLY WITH AMP SOLDERABILITY SPEC. NO. 109-11-3
- $\triangle B$.000030 GOLD OVER .000050 NICKEL.
- $\triangle 4$ OBSOLETE PARTS: OBSOLETE CIS STREAMLINING PER D.RENAUD/D.SINISI

BRIGHT TIN		61320-4
GOLD $\triangle B$.012 PH. BRZ	61320-2 $\triangle 4$
PRE-TIN		61320-1
FINISH	MATERIAL	PART NO

© 1967 BY AMP INCORPORATED. ALL RIGHTS RESERVED. AMP PRODUCTS COVERED BY PATENTS AND/OR PATENTS PENDING

CUSTOMER COPY REFERENCE ONLY

MATERIAL AND FINISH
SEE TABLE

AMP INCORPORATED
HARRISBURG, PENNA.

CLASS _____ * _____

WIRE - RANGE - INSULATION TYPE
* * _____ * _____

TOLERANCE EXCEPT AS NOTED $\pm .015$ SCALE $\pm 1" = 5 \times 1$ LOC. **A** NO SHEET OF 2
NAME **MATE-N-LOK SOCKET WITH P.C. BOARD TAB**

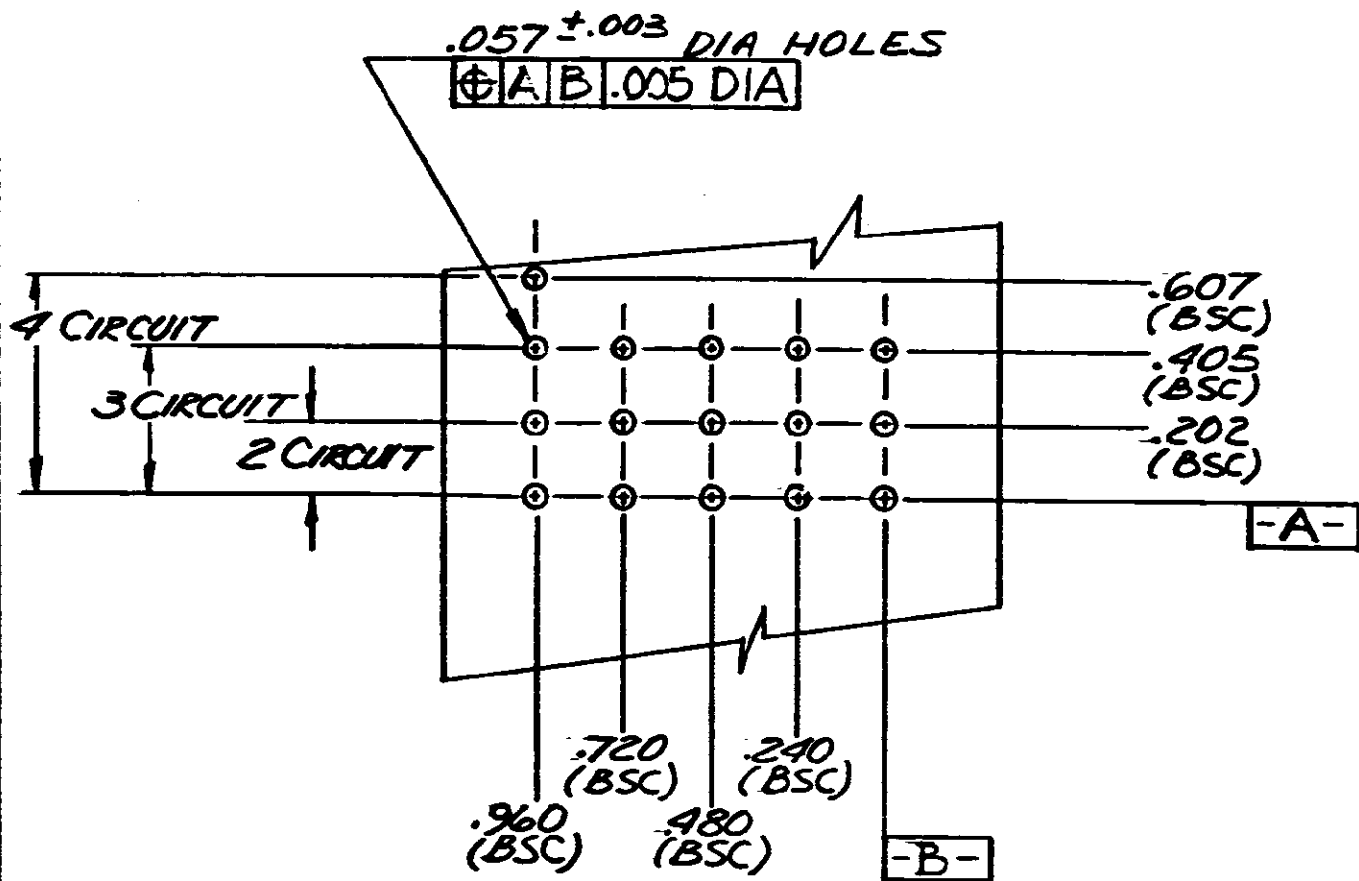
U2	REV PER ECO-10-000445	KK	HMR	JAN 2010
U1	RESTORED	BD	RS	1/15/85
U	REV PER AG-118			1/15/83
T	REV PER AG-25			1/15/83
S	ECN M-7426			1/15/83
R	SMT1 REV. & REDWN	M-7310	DA	1/15/83
-TR	REVIS. C. RECORD	DA	CHK	DATE
DR	4-15-83	DA		
D.B. SATZEL				
CH	1/15/83			

DIMENSIONS IN INCHES. DO NOT SCALE PRINT.

1/6

PRINTED AT 53

SHEET 2 OF 2
NUMBER 61320



1. FOR 3, 4, 6, 9, 12, AND 15 CIRCUIT PANEL MOUNT HOUSINGS ONLY.

DIMENSIONS IN INCHES. DO NOT SCALE PRINT.

©1968 BY AMP INCORPORATED. ALL RIGHTS RESERVED. AMP PRODUCTS COVERED BY PATENTS AND/OR PATENTS PENDING

CUSTOMER COPY
REFERENCE ONLY

MATERIAL AND FINISH



AMP INCORPORATED
HARRISBURG, PENNSA

CLASS

WIRE — RANGE — INSULATION

TYPE

LTR REVISION RECORD ECN DR DATE

TOLERANCE EXCEPT AS NOTED
= .015 = 1" 0'

SCALE
2-1

LOC
CM

NO

SHEET 2 OF 2
61320

REV
U2

DR JIM KUNKLE
6-2-70

NAME RECOMMENDED HOLE LOCATIONS FOR MOUNTING MATE-N-LOK HOUSINGS