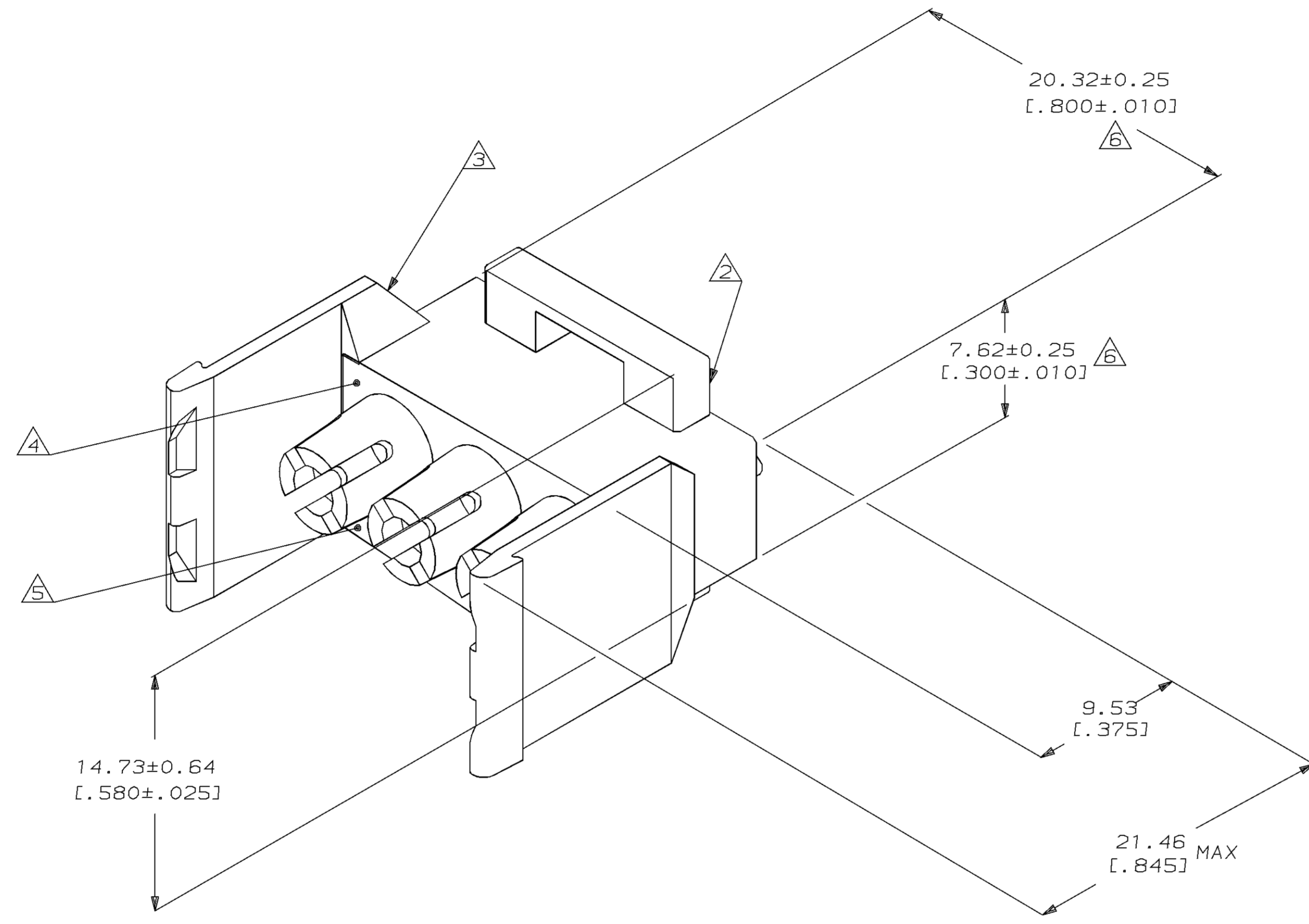


LOC		DIST		P		F		ZONE		LTR		REVISIONS	
CM	53											DATE	APPD
												D	REV PER EC 0730-0212-94
												11-22-94	JH



1. MUST BE ASSEMBLED WITH CAP FRONT P/N 770047-1 BEFORE MATING. KIT P/N IS 770025-1.
- ② AMP LOGO LOCATED THIS SURFACE.
- ③ UL AND CSA LOGOS LOCATED THIS SURFACE.
- ④ CIRCUIT NO. 1 IDENTIFICATION BUTTON LOCATED APPROXIMATELY AS SHOWN FAR SIDE.
- ⑤ LOCATION OF CIRCUIT NUMBERS MOVE BUT WILL REMAIN ADJACENT TO APPROPRIATE CAVITY (LOCATED FAR SIDE).
- ⑥ DIMENSION INDICATED IS AS MOLDED. ADDITIONAL GROWTH DUE TO SUBSEQUENT MOISTURE ABSORPTION MAY OCCUR.

770048-1
PART NUMBER



DO NOT SCALE PRINT. UNLESS SPECIFIED DIMENSIONS IN INCHES TOLERANCES ON:		DR 1-15-92 K. SALMON		AMP INCORPORATED Harrisburg, Pa. 17105	
1 ± .005		CHK 1-15-92 R. SWING		NAME	
2 PLC DEC ± 0.13 [.005]		APPD 1-16-92 M. TRULL		CAP REAR, 3 CIRCUIT, UNIVERSAL MATE-N-LOK™ II	
ANGLES ±		APPD 1-16-92 M. TRULL			
MATERIAL NYLON, UL94V-0,		PRODUCT SPEC		DRAWING NO 770048	
FINISH		APPLICATION SPEC		SIZE D	FSCM NO 00779
				SCALE 5:1	SHEET 1 OF 1

CUSTOMER DRAWING