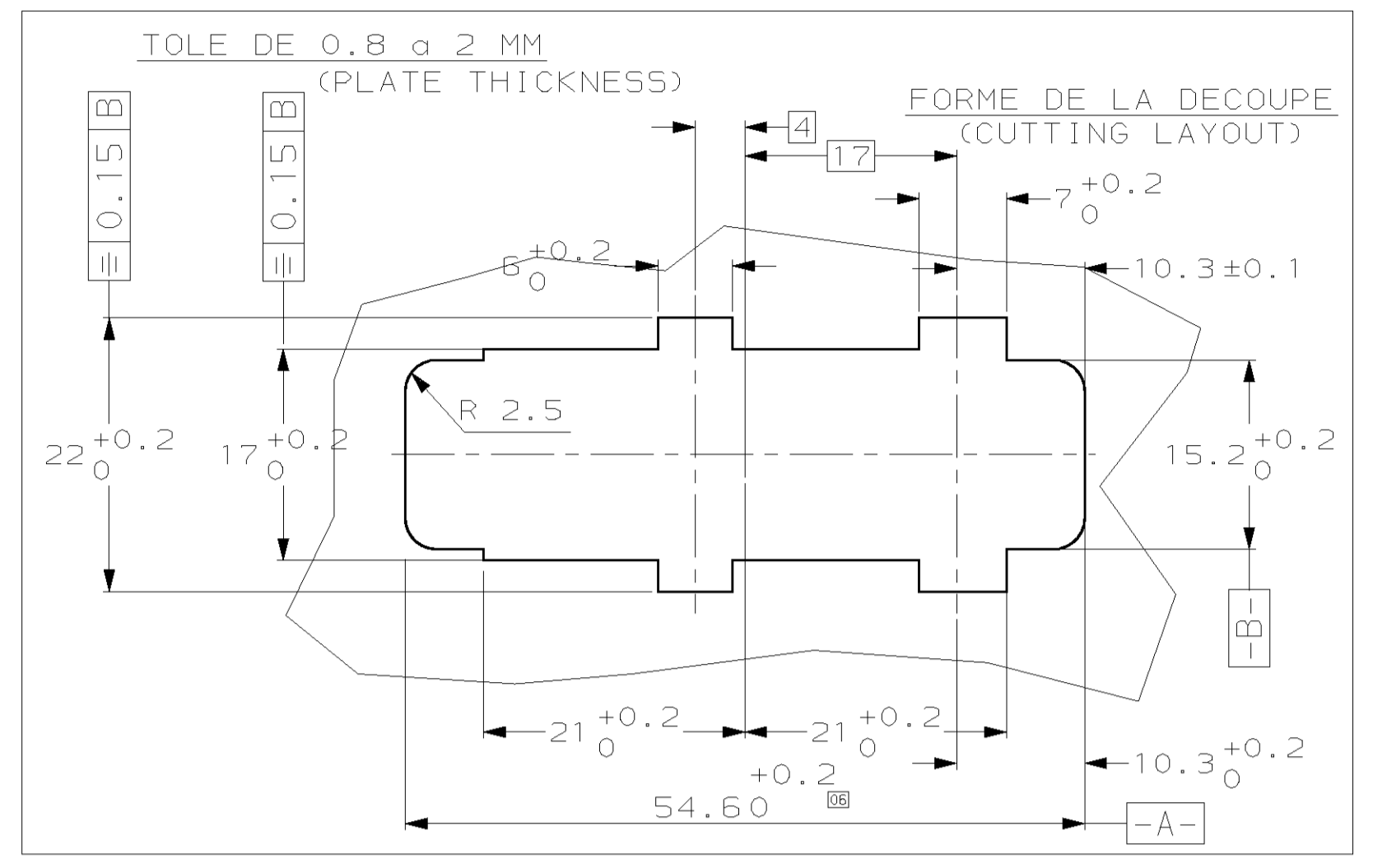
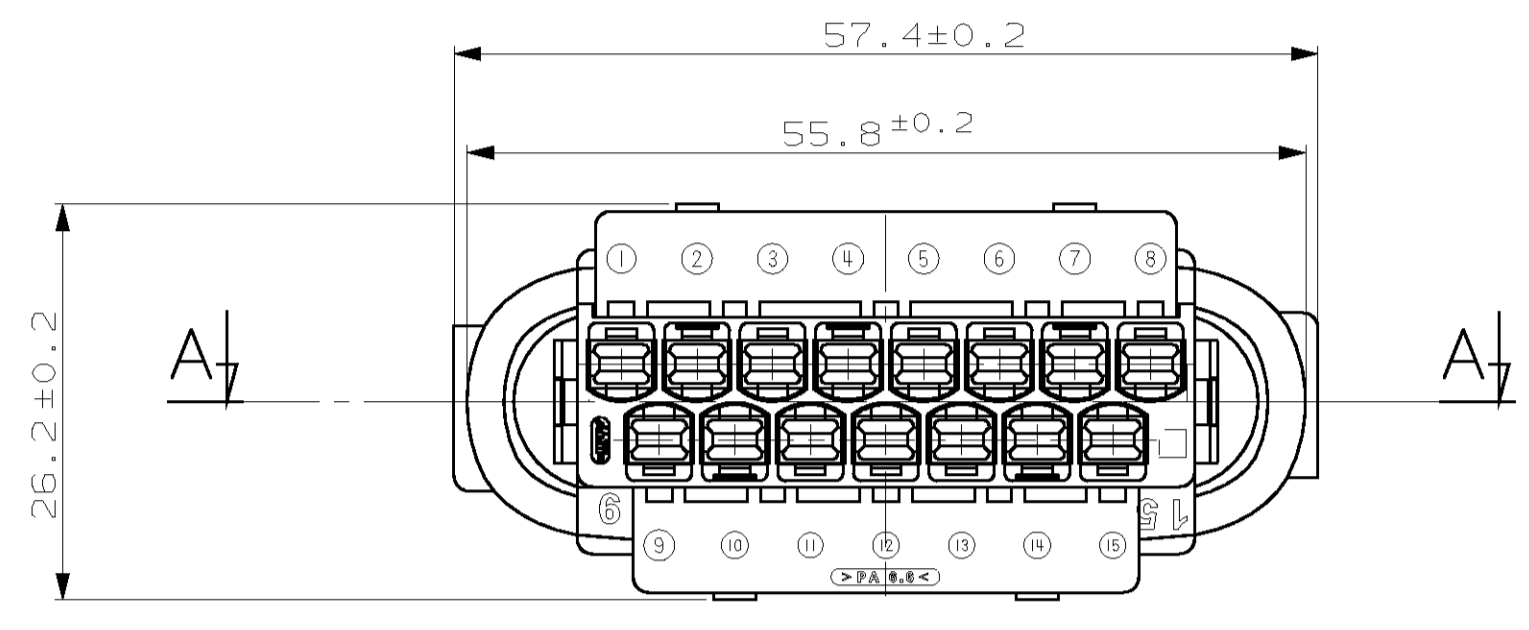
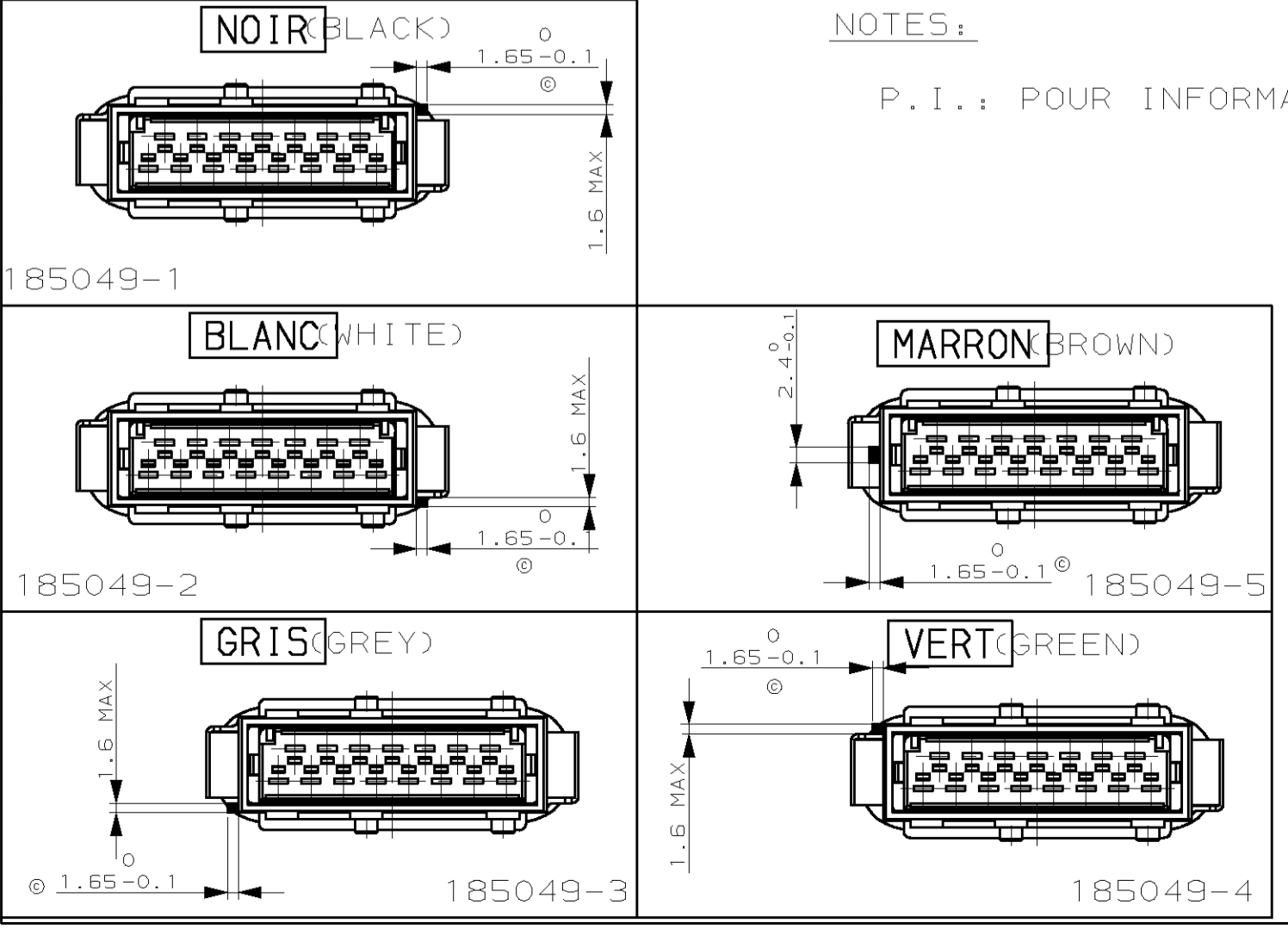
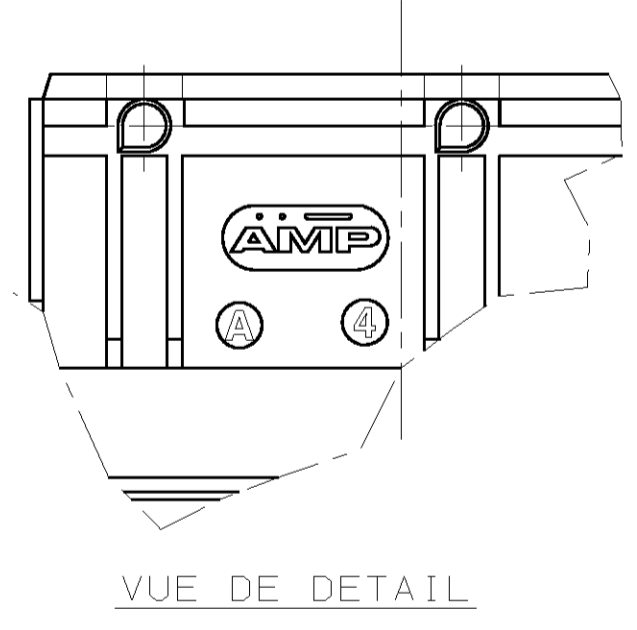
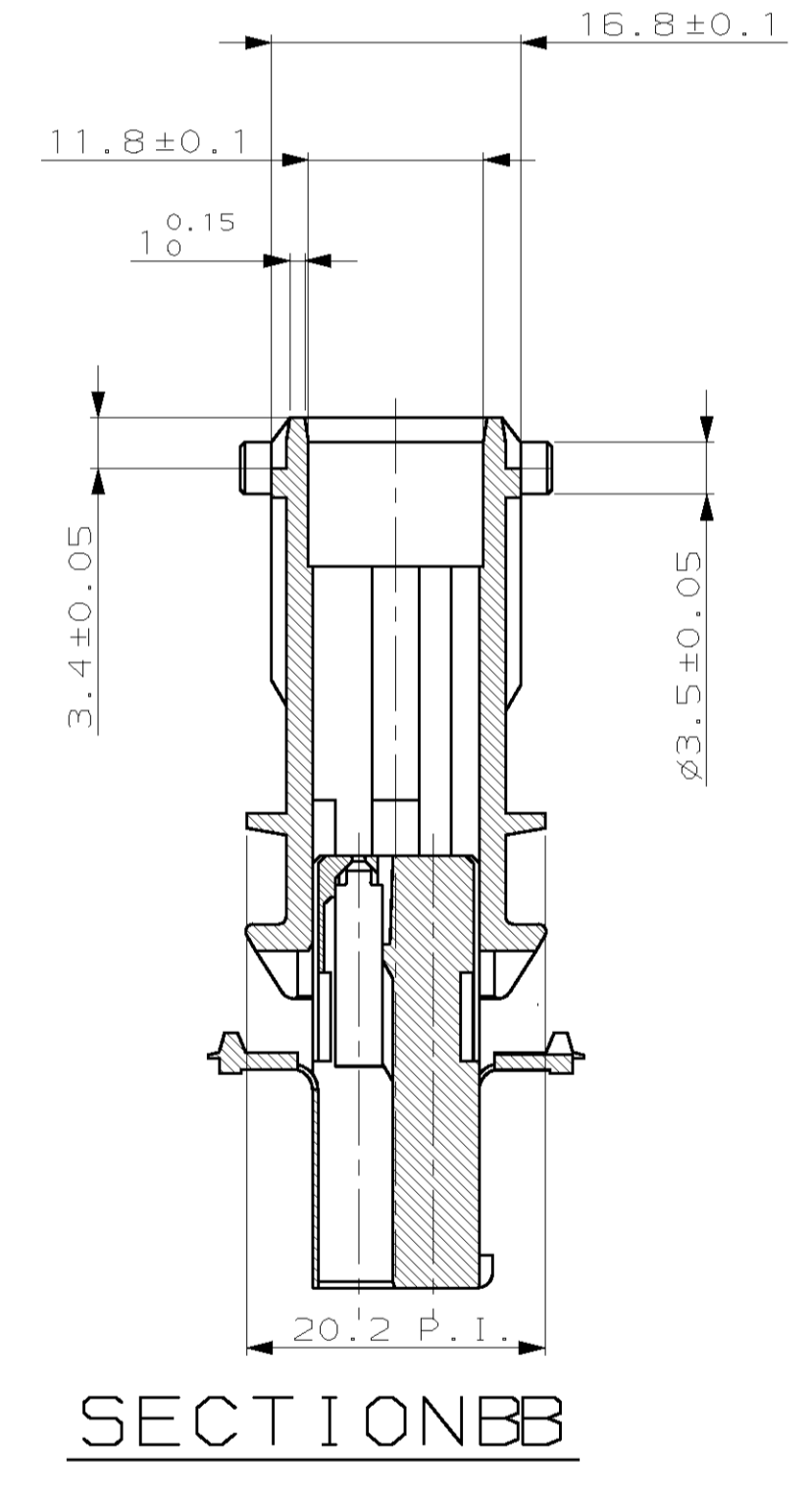
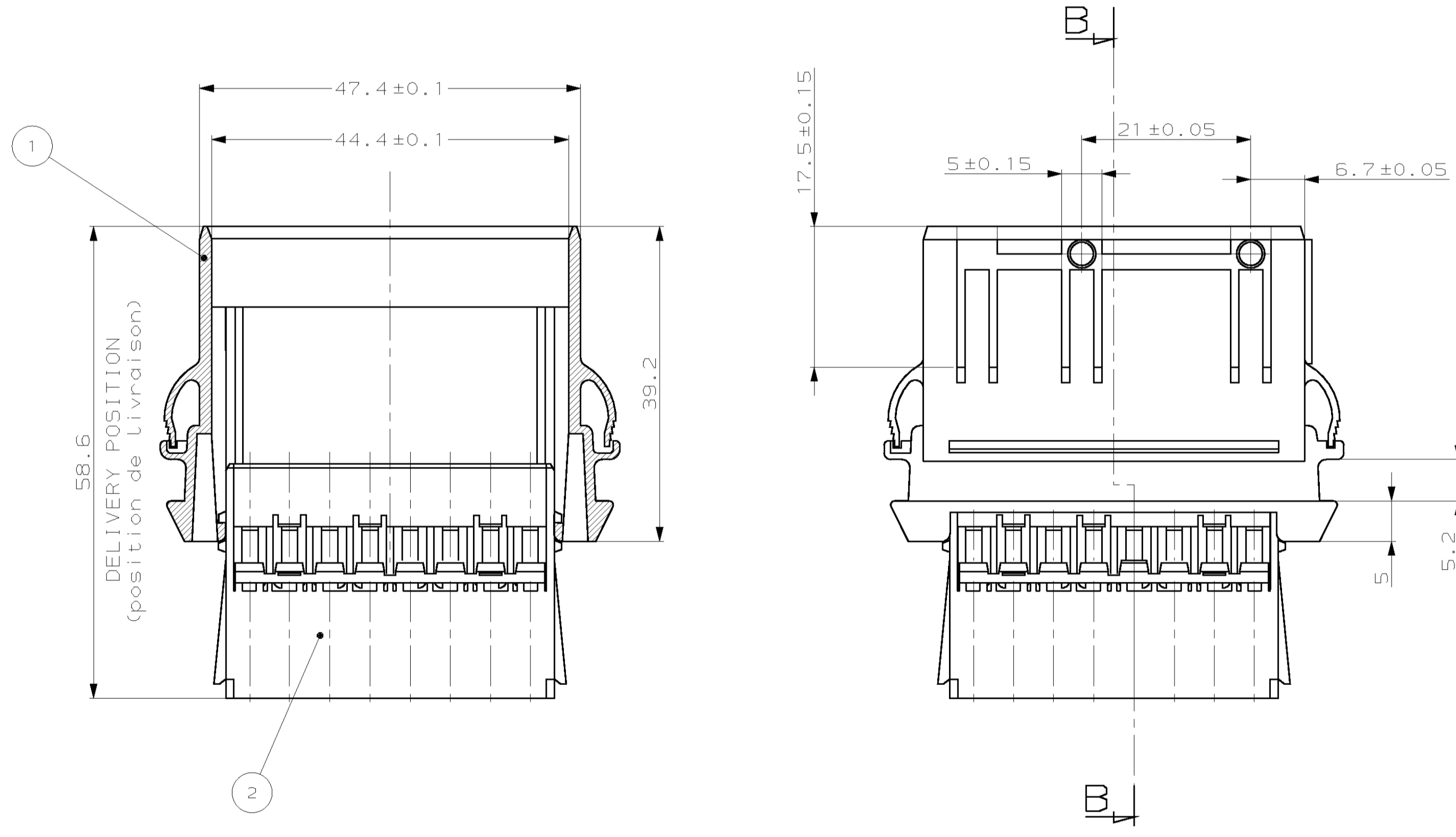


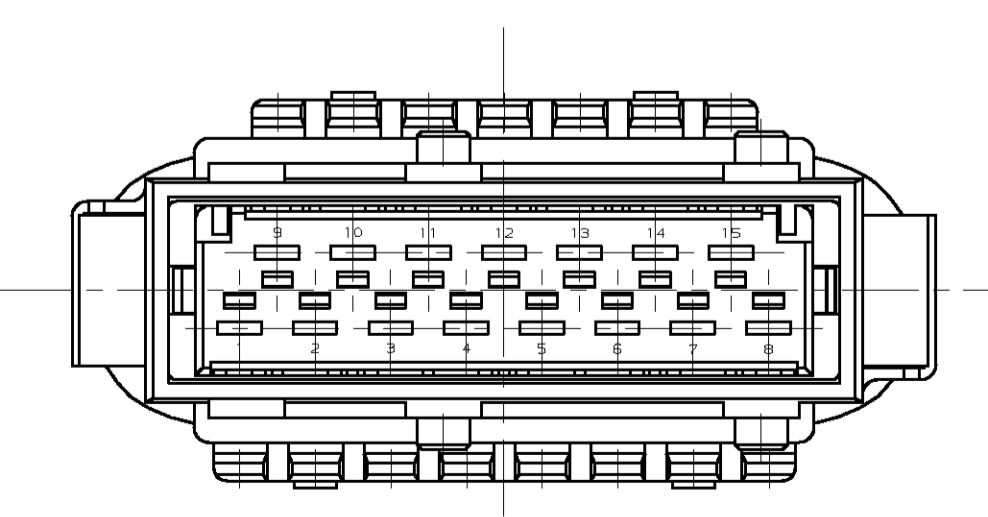
REVISONS		DATE	OWN	APP.
D	CHARNIERE MODIFIEE	05-MAR-03	RP	JPP
E	CHARNIERE MODIFIEE	10-OCT-03	RP	JPP
F	20.2 P.I. ETAIT 20.2+/-0.2	13-JAN-04	RP	JPP



SECTION AA



NOTES:  
P.I.: POUR INFORMATION



2	1	MODULE	Polyamide 6/6
1	1	MODULE HOLDER (porte module)	PBT (REINFORCED GLASS FIBER) charge de fibre de verre
Rep	Qty	DESIGNATION	MATERIAL (matiere)

THIS DRAWING IS A CONTROLLED DOCUMENT. CE PLAN EST UN DOCUMENT CONTROLE.

TYCO ELECTRONICS FRANCE SAS  
BP 39, 95301 CERGY-PONTOISE CEDEX

15 WAY MODULE FOR JPT TAB ASSY

00779-185049

SCALE: 2:1