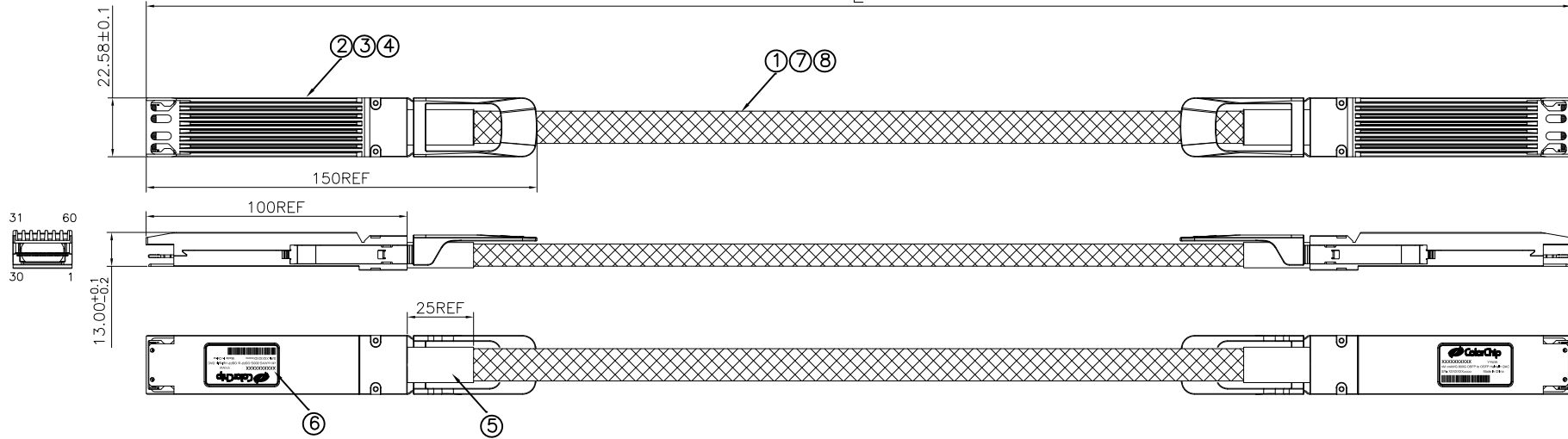


NOTICE: ALL PARTS MUST MEET TO RoHS REQUIREMENTS

REV.	DESCRIPTION	DRAWN	APPROVED	DATE
X1	NEW DRAWING	QY.WANG	RYAN	2022.04.19
X2	UPDATE BEND DATA & LABEL INFORMATION	QY.WANG	RYAN	2022.08.18



NOTE:

1. RAW CABLE IMPEDANCE: 100_{-5}^{+10} ohm,
2. MATED CONNECTOR IMPEDANCE: 100_{-15}^{+10} ohm, RISE TIME: 13ps(20%~80%),
3. 100% CONDUCTOR TEST;
TEST CONDITION: VOLTAGE 5V, INSULATION RESISTANCE 10M ohm,
CONDUCTION RESISTANCE MAX 3 ohm.
4. HIGH-FREQUENCY TEST ACCORDING TO IEEE802.3ck STANDARD.
5. ALL MATERIAL MUST COMPLY WITH ROHS2.0.

TABLE 1

ITEM	MODEL NUMBER	PART NUMBER	LENGTH	AWG
1	P-100-O-O-005B	1190100004001	500±50	28
2	P-100-O-O-010B	1190100004002	1000±80	28
3	P-100-O-O-015B	1190100004003	1500±80	26
4	P-100-O-O-020B	1190100004004	2000±100	26

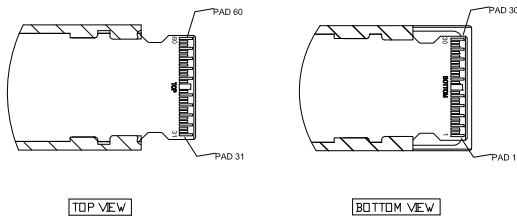
ITEM	NAME	DESCRIPTION	Q'TY
8	BRAID SHIELD	COPPER, BRAID	A/R
7	PLASTIC BRAIDED MESH	PET, BLACK	A/R
6	BACK SHELL LABEL	BACK SHELL LABEL, 24.6*13.5mm	2
5	HEAT SHINK	BLACK	A/R
4	SR	TPU BLACK	2
3	OSFP CONN ASSEMBLY	Zn ALLOY, PLATED Ni OVER Cu +STAINLESS STEEL LATCH+PULLTAB+SPRING+RIVET	2
2	PCBA	OSFP PCB, 60P, Au 30u*Min	2
1	RAW CABLE	SAS CABLE, 112G, ROHS2.0	A/R

1. * ±0.1 2. ** ±0.1 3. *** ±0.05 4. FRACT.±1/32" 5. ANGULAR ±1/2"	Customer P/N: N/A		TITLE OSFP COPPER HAIRTAIL+ DAC ASS'Y 800G DATA RATE, PASSIVE
	Customer REV.: N/A		
	PART NO. SEE TABLE 1		
	APPROVED RYAN	DRAWING NO.	
	CHECKED TANXICHUN	SD_P-100-O-O-XXXB	
DRAWN QY.WANG	UNIT SCALE SHEET REV.		MM NONE 1/3 X2
DATE 2022-08-18			

NOTICE: ALL PARTS MUST MEET TO RoHS REQUIREMENTS

WIRING TABLE

P1		P2		P1		P2	
GND	01	31	GND	31	GND	GND	01
TX2p	02	32	RX2p	32	RX2p	TX2p	02
TX2n	03	33	RX2n	33	RX2n	TX2n	03
GND	04	34	GND	34	GND	GND	04
TX4p	05	35	RX4p	35	RX4p	TX4p	05
TX4n	06	36	RX4n	36	RX4n	TX4n	06
GND	07	37	GND	37	GND	GND	07
TX6p	08	38	RX6p	38	RX6p	TX6p	08
TX6n	09	39	RX6n	39	RX6n	TX6n	09
GND	10	40	GND	40	GND	GND	10
TX8p	11	41	RX8p	41	RX8p	TX8p	11
TX8n	12	42	RX8n	42	RX8n	TX8n	12
GND	13	43	GND	43	GND	GND	13
SCL	14	44	INT/RSTn	44	INT/RSTn	SCL	14
VCC	15	45	VCC	45	VCC	VCC	15
VCC	16	46	VCC	46	VCC	VCC	16
LPWn/PRSn	17	47	SDA	47	SDA	LPWn/PRSn	17
GND	18	48	GND	48	GND	GND	18
RX7n	19	49	TX7n	49	TX7n	RX7n	19
RX7p	20	50	TX7p	50	TX7p	RX7p	20
GND	21	51	GND	51	GND	GND	21
RX5n	22	52	TX5n	52	TX5n	RX5n	22
RX5p	23	53	TX5p	53	TX5p	RX5p	23
GND	24	54	GND	54	GND	GND	24
RX3n	25	55	TX3n	55	TX3n	RX3n	25
RX3p	26	56	TX3p	56	TX3p	RX3p	26
GND	27	57	GND	57	GND	GND	27
RX1n	28	58	TX1n	58	TX1n	RX1n	28
RX1p	29	59	TX1p	59	TX1p	RX1p	29
GND	30	60	GND	60	GND	GND	30



1. * ±0.1 2. ** ±0.1 3. *** ±0.05 4. FRACT. ±1/32" 5. ANGULAR ±1/2°	Customer P/N: N/A		TITLE OSFP COPPER HAIRTAIL+ DAC ASSY 800G DATA RATE, PASSIVE
	Customer REV.: N/A		
	PART NO.	SEE TABLE 1	DRAWING NO. SD_P-100-O-O-XXXB
	APPROVED RYAN	CHECKED TANXICHUN	
	DRAWN QY.WANG	DATE 2022-08-18	

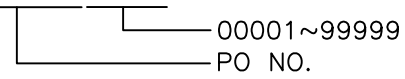
NOTICE: ALL PARTS MUST MEET TO RoHS REQUIREMENTS

BACKSHELL LABEL INFORMATION

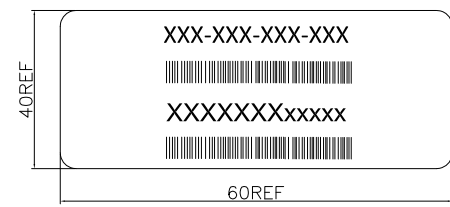


- ColorChip LOGO
- CUSTOMER P/N: SEE TABLE 1; WEEK OF MANUFACTURE
- DESCRIPTION
- SN: SEE SN NOTE; Made In China
- 128CODE SN: XXXXXXXxxxxx

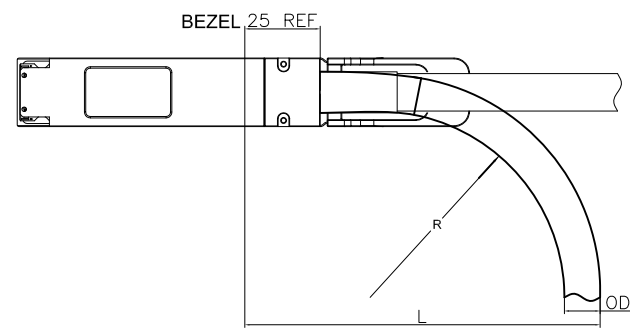
SN NOTE:
XXXXXXXXxxxxx



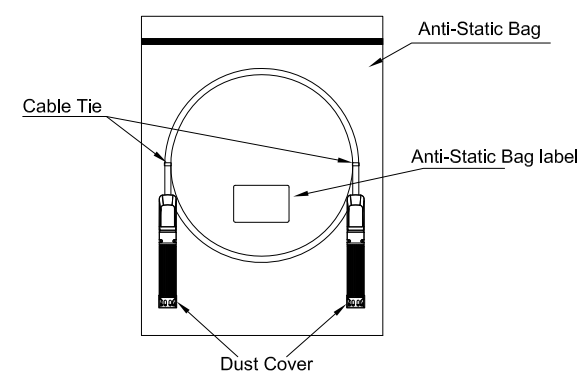
ANTI-STATIC BAG LABEL INFORMATION



- P/N: SEE TABLE 1
- 128CODE P/N: SEE TABLE 1
- SN: SEE SN NOTE
- 128CODE SN: XXXXXXXxxxxx



SAS CABLE GAUGE	CABLE "OD"	MIN. BEND RADIUS"R"	MIN. BEND SPACE"L"
28 AWG	10.2 REF MM	20.4 MM	66 MM
26 AWG	12.1 REF MM	24.2 MM	70 MM



1. * ±0.1 2. ** ±0.1 3. *** ±0.05 4. FRACT.±1/32" 5. ANGULAR ±1/2"	Customer P/N: N/A		TITLE OSFP COPPER HAIRTAIL+ DAC ASS'Y 800G DATA RATE, PASSIVE			
	Customer REV.: N/A					
	PART NO. SEE TABLE 1	DRAWING NO. SD_P-100-O-O-XXXXB				
	APPROVED RYAN	UNIT	SCALE	SHEET	REV.	
	CHECKED TANXICHUN	MM	NONE	3/3	X2	
DRAWN QY.WANG						
DATE 2022-08-18						