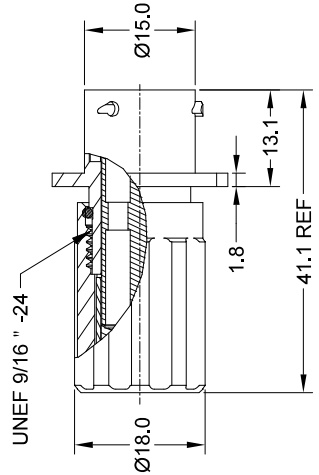
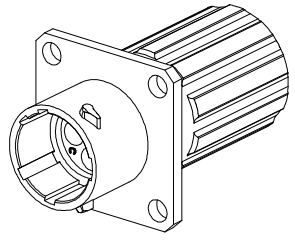
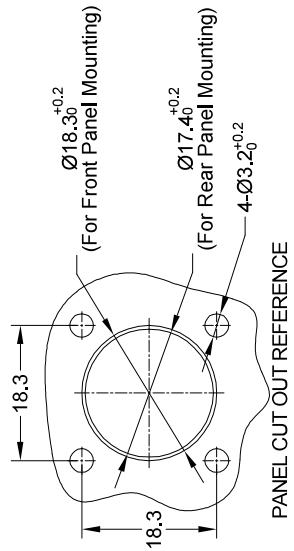
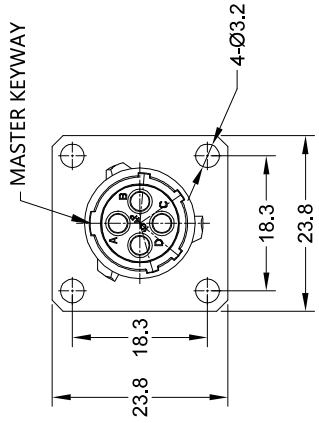
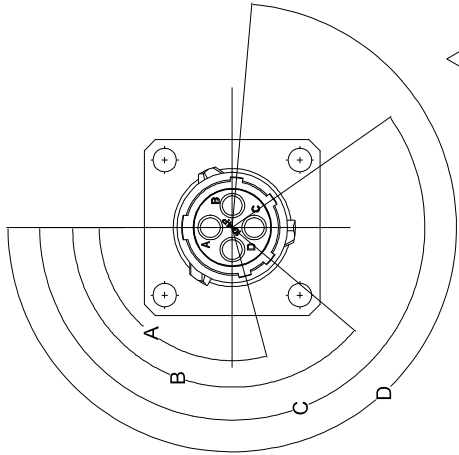


REVISIONS					
REV	ECO	DESCRIPTION	DATE	BY	APPR
B1	-	RELEASED DRAWING	Nov-17-2014	Ben	Tommy
B2	-	VOLTAGE UPDATE AND ADD KEY ICON	Jun-17-2020	Flan	Tommy



- NOTES : (UNLESS OTHERWISE SPECIFIED)
- MATERIAL :  
 1. SHELL : ZINC ALLOY , NICKEL PLATED.  
 INSERT : THERMOPLASTIC , UL94 V-0.  
 END CAP : THERMOPLASTIC , UL94 V-0.  
 PLASTIC BUSHING : THERMOPLASTIC , UL94 V-0.  
 SEAL GASKET : NBR/SILICONE RUBBER.  
 O-RING : NBR/SILICONE RUBBER.  
 WIRE SEAL : SILICONE RUBBER.
  - SPECIFICATIONS :  
 2.1 RATED CURRENT : 13A (MAX).  
 2.2 RATED VOLTAGE : 500V ( AC/DC ) .  
 2.3 OPERATING TEMPERATURE : SEE CHART.  
 2.4 DIELECTRIC WITHSTANDING VOLTAGE : LESS THAN 2 MILLIAMPS CURRENT LEAKAGE@2000 VOLTS AC.  
 2.5 INSULATION RESISTANCE : 5000 MEGOHMS MIN.  
 2.6 IP-CLASS : IP67(MATED CONDITION).  
 2.7 MATING CYCLES DURABILITY : 500 CYCLES MIN.  
 2.8 ROHS COMPLIANT.
  - SUITABLE CONTACTS : 16# CONTACTS.
  - ALL DIMENSIONS ARE FOR REFERENCE USE ONLY.
  - CONTACT SIZE AND REAR SEAL WIRE RANGE:

KEY POS	PART NUMBER		A	B	C	D
	-40°C ~ 105°C	-40°C ~ 125°C				
N	RT00104PNHEC	RT00104PNHEC03	105°	140°	215°	265°
W	RT00104PWHEC	RT00104PWHEC03	45°	140°	215°	265°
X	RT00104PXHEC	RT00104PXHEC03	105°	160°	215°	265°
Y	RT00104PYHEC	RT00104PYHEC03	105°	140°	225°	265°
Z	RT00104PZHEC	RT00104PZHEC03	105°	140°	215°	295°

QUANTITY	SEE PART NUMBER CHART	PART NUMBER	DESCRIPTION	ITEM
<b>MATERIALS LIST</b> UNLESS OTHERWISE SPECIFIED 1) All dimensions are in millimeters. 2) Tolerances are as follows: 3 PL DEC 20.15 Angles 4.14 3) Note reference =				
SIGNATURES		DATE	<b>Amphenol</b> Sine Systems - www.amphenol-sine.com 44724 Motley Drive Clinton Township, MI 48036	
DESIGNED BY	Flan	Jun-17-2020	ECOMATE RM RECEPTACLE , SIZE 10, 4POS,PIN, END CAP. DWG NO: RT00104P*HEC* SCALE: NONE	
CHECKED BY	Om	Jun-18-2020		
APPROVED BY	Tommy	Jun-18-2020		
MATERIAL SPECIFICATIONS		CUSTOMER	REVISION B2	
PROCESS SPECIFICATIONS		THE INFORMATION CONTAINED HEREIN IS THE PROPERTY OF AMPHENOL CORPORATION. NO RIGHTS OR PERMISSIONS ARE IMPLIED. ALL RIGHTS ARE RESERVED. AMPHENOL CORPORATION, CLINTON TOWNSHIP, MI 48036.		
NEXT ASST.		SHEET 1 OF 1		

CONTACT SIZE	MIN. INSUL O.D.	MAX. INSUL O.D.
16#	Ø2.0mm	Ø3.2mm