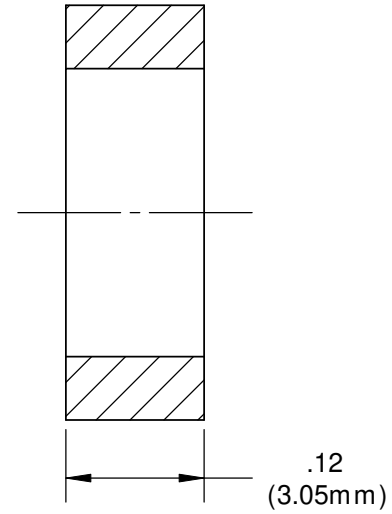
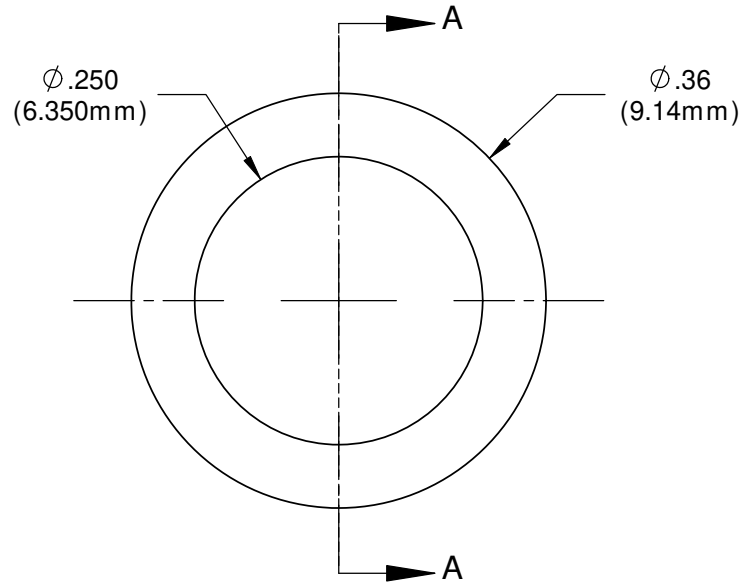
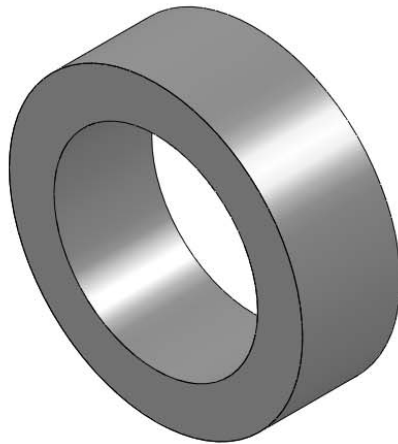


NOTES:
 1) U.S. & Foreign Pat. Issued & Pend.

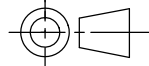
REVISIONS				
ECN #	REV	DESCRIPTION	DATE	INITIALS
	N/A	INITIAL RELEASE	11/1/85	JS
	1	UPDATE DRAWING FORMAT MATERIAL	9/12/08	JS
	001	REVISED PER EC R111009AZ01	2/12/10	KH



SECTION A-A



ISOMETRIC VIEW

<small>UNLESS OTHERWISE SPECIFIED DIMENSIONS ARE IN INCHES: ANGLES DECIMALS ± 1' .X ±.020 .XX ±.010 FINISH .XXX ±.005</small> <small>BREAK ALL CORNERS AND SHARP EDGES: .050 MAX</small>  <small>THIRD ANGLE PROJECTION</small>	MATERIAL POLYPROPYLENE UL 94-HB		VISUAL COMMUNICATIONS COMPANY 190 Bosstick Boulevard, Suite 101 San Marcos, CA 92069 USA Phone (760) 560-1300 Fax (760) 560-1301 email vccsales@vcclite.com	
	FINISH SEE NOTES		TITLE: CLIPLITE SPACER SPC 125	
	APPROVALS DRAWN K.Howard CHECKED DPZ	DATE 2/12/10 2/22/10	SIZE A	DWG. NO. SPC 125
	DO NOT SCALE DRAWING		REV 001	SHEET 1 OF 1
			SCALE: 6:1	