



UNIVERSAL VOLTAGE POWER PACKS

POWER PACKS AND RELAYS

tradeSELECT®

FEATURES

- Universal voltage: 120/277VAC; 50/60Hz
- Automatic voltage detection
- Electrical loads switching capability: maximum of 20 Amps
- Regulated 24VDC current; 150mA output
- Zero Arc Point Switching
- Plenum rated
- Mounts: inside or outside a junction box; inside a fixture
- Companion auxiliary relay device available (MPSA)



RELATED PRODUCTS

[MPSA](#)

SPECIFICATIONS

CONSTRUCTION

- 3.69" H x 2.33" W x 1.36" D (93.73mm H x 59.18mm W x 34.54mm D)
- 15 oz. (425.24 g)
- Black

INSTALLATION

- Complies with requirements for use in a plenum area
- Plenum rated for external junction box mounting
- Mounts outside junction box via 1/2" EMT threaded nipple

ELECTRICAL

- 120/277VAC; 50/60Hz

ELECTRICAL (CONTINUED)

- 24VDC; 150mA nominal, isolated, and regulated
- 20A: 120VAC incandescent
- 20A: 120 or 277VAC ballast
- 1HP: 120 or 277VAC motor load

OPERATION

- Indoor use only
- Operating temperature: 32° to 104°F (0° to 40°C)
- Relative humidity (non-condensing): 0% to 95%

CERTIFICATIONS

- UL and cUL listed

CERTIFICATIONS (CONTINUED)

- This product qualifies as both (i) a "domestic construction material" per FAR §52.225-9 Buy American-Construction Materials and a "(COTS) item" per FAR §2.101 and (ii) a "designated country construction material" per FAR 52.225-11 Buy American-Construction Materials under Trade Agreements effective 5/27/2020. See [Buy American Solutions](#).
- This product qualifies as "designated country construction material" per FAR 52.225-11 Buy American-Construction Materials under Trade Agreements effective 5/27/2020. See [Buy American Solutions](#).

WARRANTY

- 5 year warranty
- See [HCS Standard Warranty](#) for additional information

ORDERING GUIDE

Example: UVPP-U

CATALOG #

Model		BAA/TAA
UVPP	Universal Voltage Power Pack	Blank Standard Product
UVPPM ¹	Universal Voltage Power Pack with Manual ON/OFF Control	U BAA T TAA

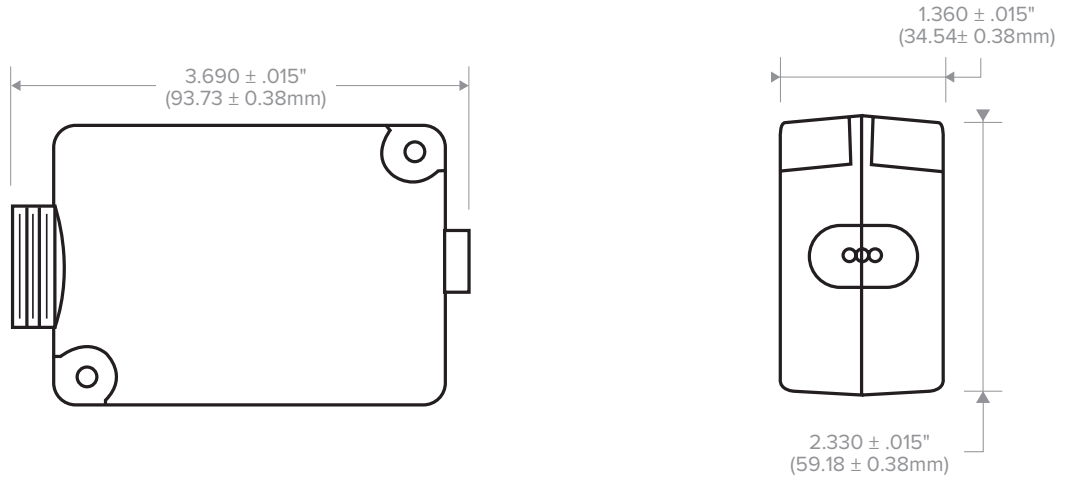
Notes:

- 1 Low voltage momentary switch required for manual control (Sold separately).

UNIVERSAL VOLTAGE POWER PACKS

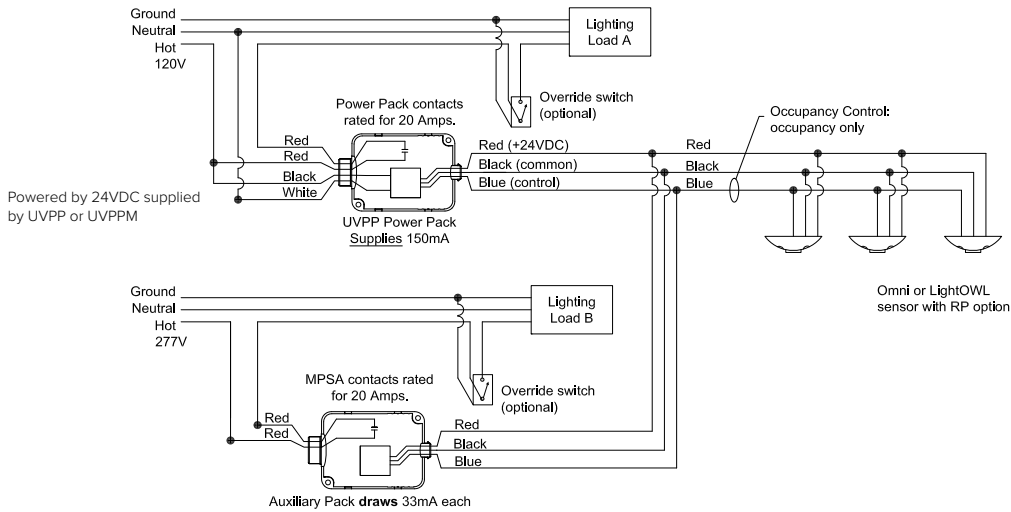
POWER PACKS AND RELAYS

DIMENSIONS

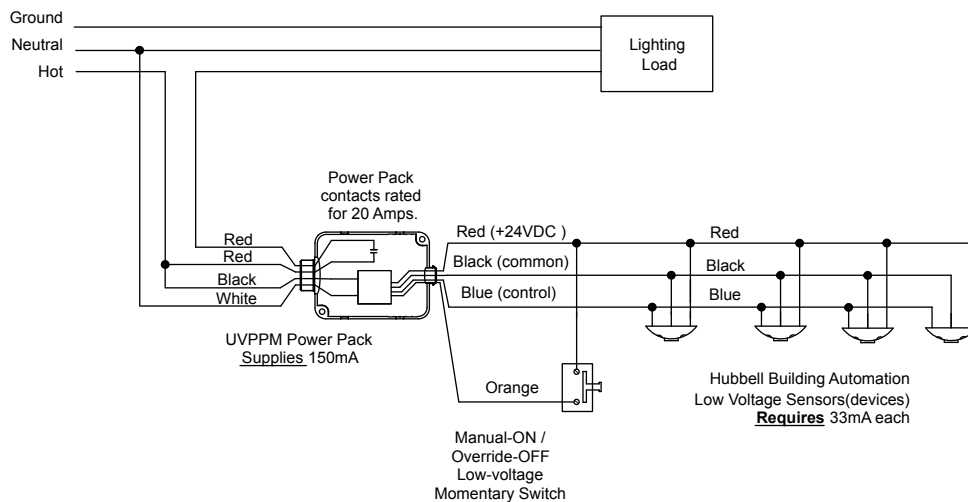


ADDITIONAL INFORMATION

Wiring Diagrams



UVPP Wiring Diagram



UVPPM Wiring Diagram