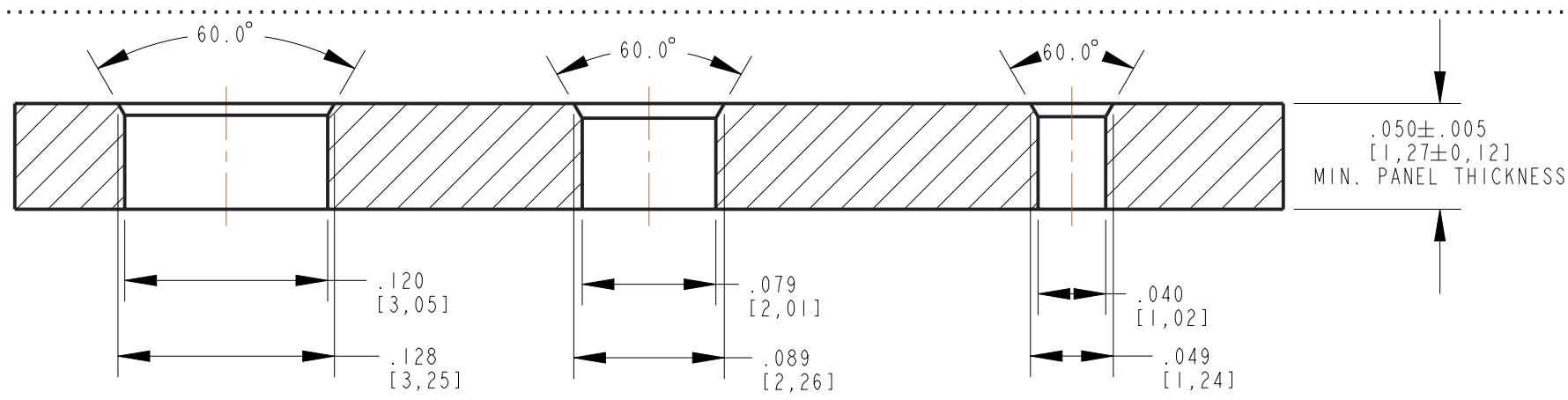
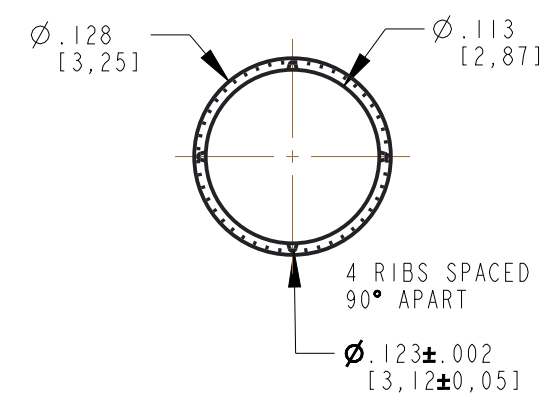
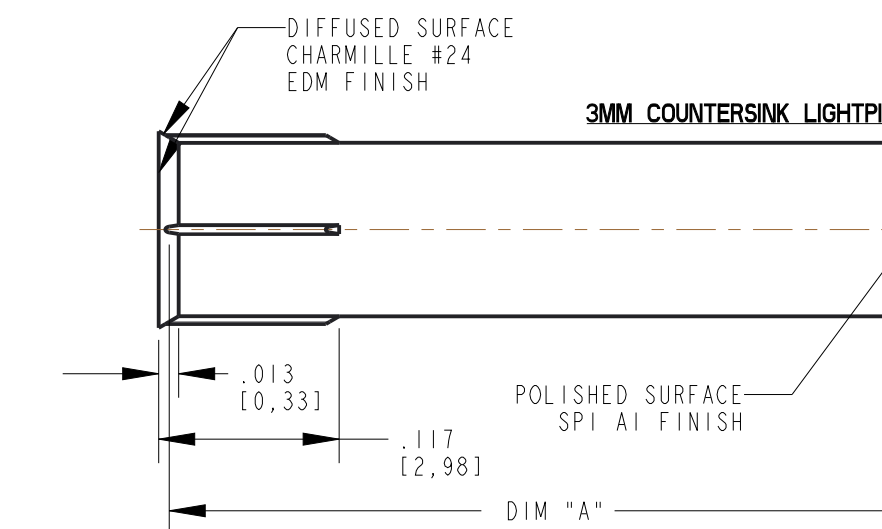
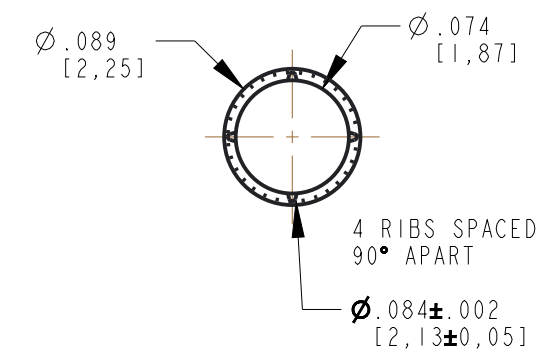
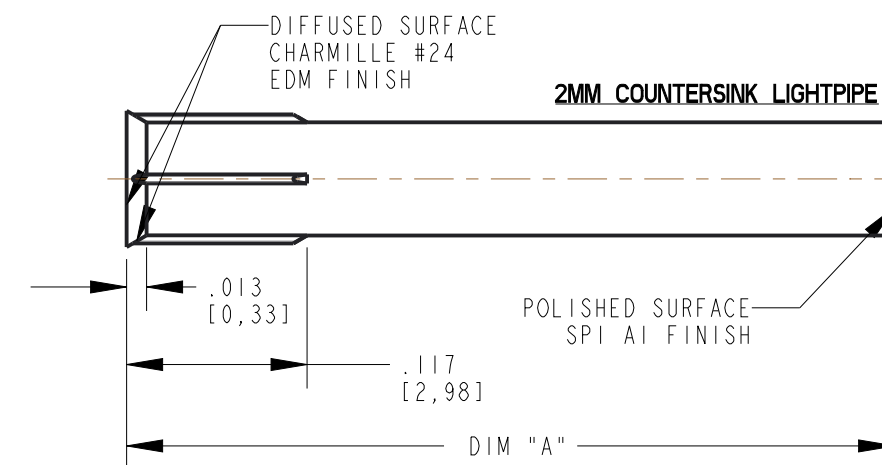
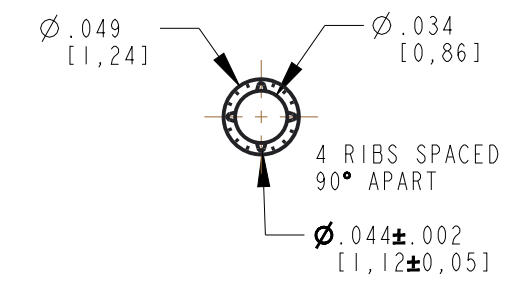
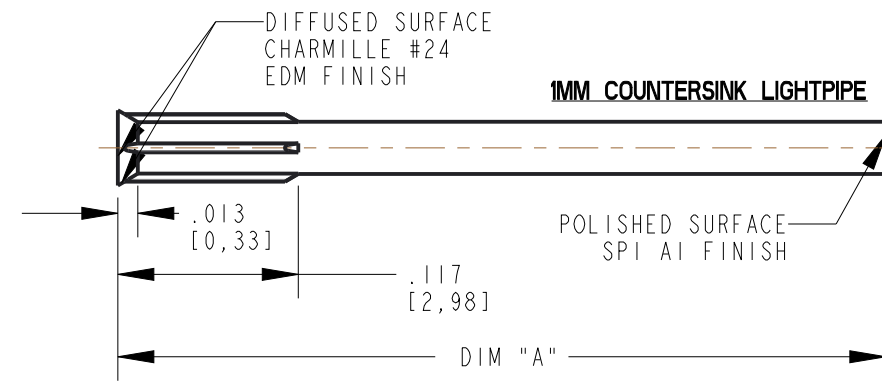


DIALIGHT P/N	DIM "A"	REV	DN	DATE
51513110125F	.125 [3,20]	A	LD	06-01-21
51513110157F	.157 [4,00]	A	LD	06-01-21
51513110188F	.188 [4,77]	A	LD	06-01-21
51513110250F	.250 [6,35]	A	LD	06-01-21
51513110313F	.313 [7,95]	A	LD	06-01-21
51513110375F	.375 [9,53]	A	LD	06-01-21
51513110500F	.500 [12,70]	A	LD	06-01-21
51513120125F	.125 [3,20]	A	LD	06-01-21
51513120157F	.157 [4,00]	A	LD	06-01-21
51513120188F	.188 [4,77]	A	LD	06-01-21
51513120250F	.250 [6,35]	A	LD	06-01-21
51513120313F	.313 [7,95]	A	LD	06-01-21
51513120375F	.375 [9,53]	A	LD	06-01-21
51513120500F	.500 [12,70]	A	LD	06-01-21
51513130125F	.125 [3,20]	A	LD	06-01-21
51513130157F	.157 [4,00]	A	LD	06-01-21
51513130188F	.188 [4,77]	A	LD	06-01-21
51513130250F	.250 [6,35]	A	LD	06-01-21
51513130313F	.313 [7,95]	A	LD	06-01-21
51513130375F	.375 [9,53]	A	LD	06-01-21
51513130500F	.500 [12,70]	A	LD	06-01-21
51513130600F	.600 [15,24]	A	LD	06-01-21
51513130700F	.700 [17,78]	A	LD	06-01-21
51513130800F	.800 [20,32]	A	LD	06-01-21
51513130900F	.900 [22,86]	A	LD	06-01-21
51513131000F	1.000 [25,40]	A	LD	06-01-21
51513131100F	1.100 [27,94]	A	LD	06-01-21
51513131200F	1.200 [30,48]	A	LD	06-01-21

REV	REVISIONS	DRN	APP	DATE
A	NEW RELEASE	LD	NO	6-1-21




RECOMMENDED MOUNTING HOLE

NOTE:
TOLERANCE IS $\pm .002$

THIS DRAWING AND THE CONTENTS HEREIN ARE CONFIDENTIAL AND THE SOLE PROPERTY OF DIALIGHT CORP. REPRODUCTION OF THIS DRAWING OR CONSTRUCTION OF ANY PARTS WITHIN THIS DRAWING ARE FORBIDDEN WITHOUT THE WRITTEN CONSENT OF DIALIGHT CORP.

DIALIGHT CORP. INTERNAL REFERENCE ONLY - 3D MODEL : 5151313XXXXF-A.7

SCALE: 10.000	DRAWING NUMBER	REV
ALL DIM's: INCH (mm)	C-18466	A
TOLERANCES: UNLESS OTHERWISE SPECIFIED	TITLE: COUNTERSINK LIGHT PIPES	
FRACTIONS: $\pm 1/64$	MATERIAL	
DECIMALS (.XX): $\pm .01$	 1501 ROUTE 34 SOUTH FARMINGDALE, NJ 07727 (732) 919-3119 www.dialight.com	
DECIMALS (.XXX): $\pm .005$		
DECIMALS (.XXXX): $\pm .0005$	FSCM 83330	SHEET 1 OF 1 FAMILY TABLE:
ANGLES: $\pm 1^\circ$		
FINISH		