

THIS DRAWING IS UNPUBLISHED. RELEASED FOR PUBLICATION
 © COPYRIGHT BY TYCO ELECTRONICS CORPORATION. ALL RIGHTS RESERVED.

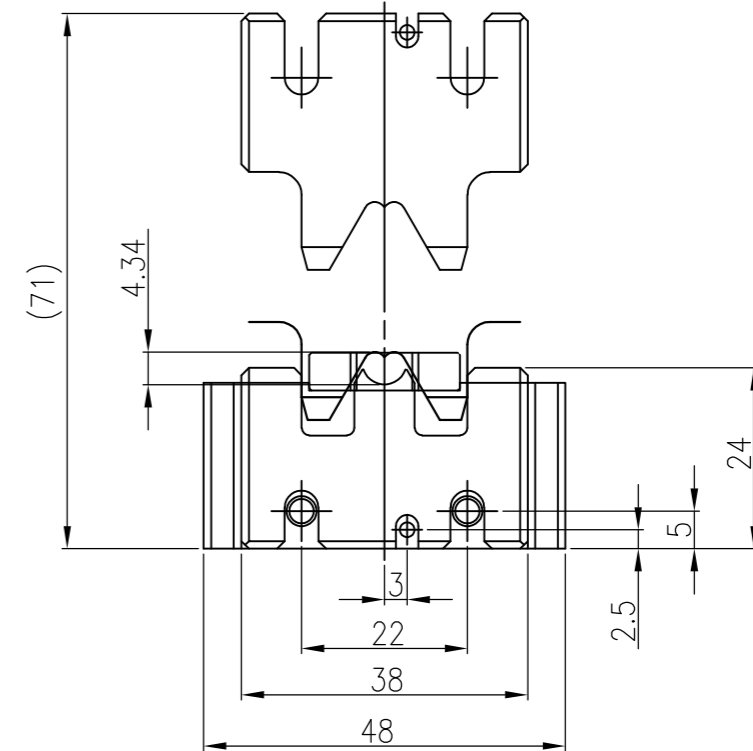
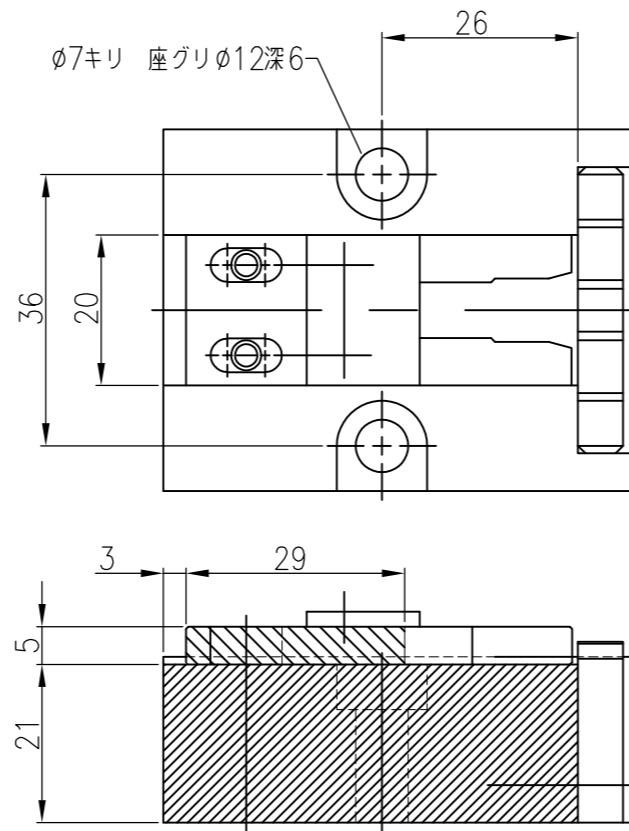
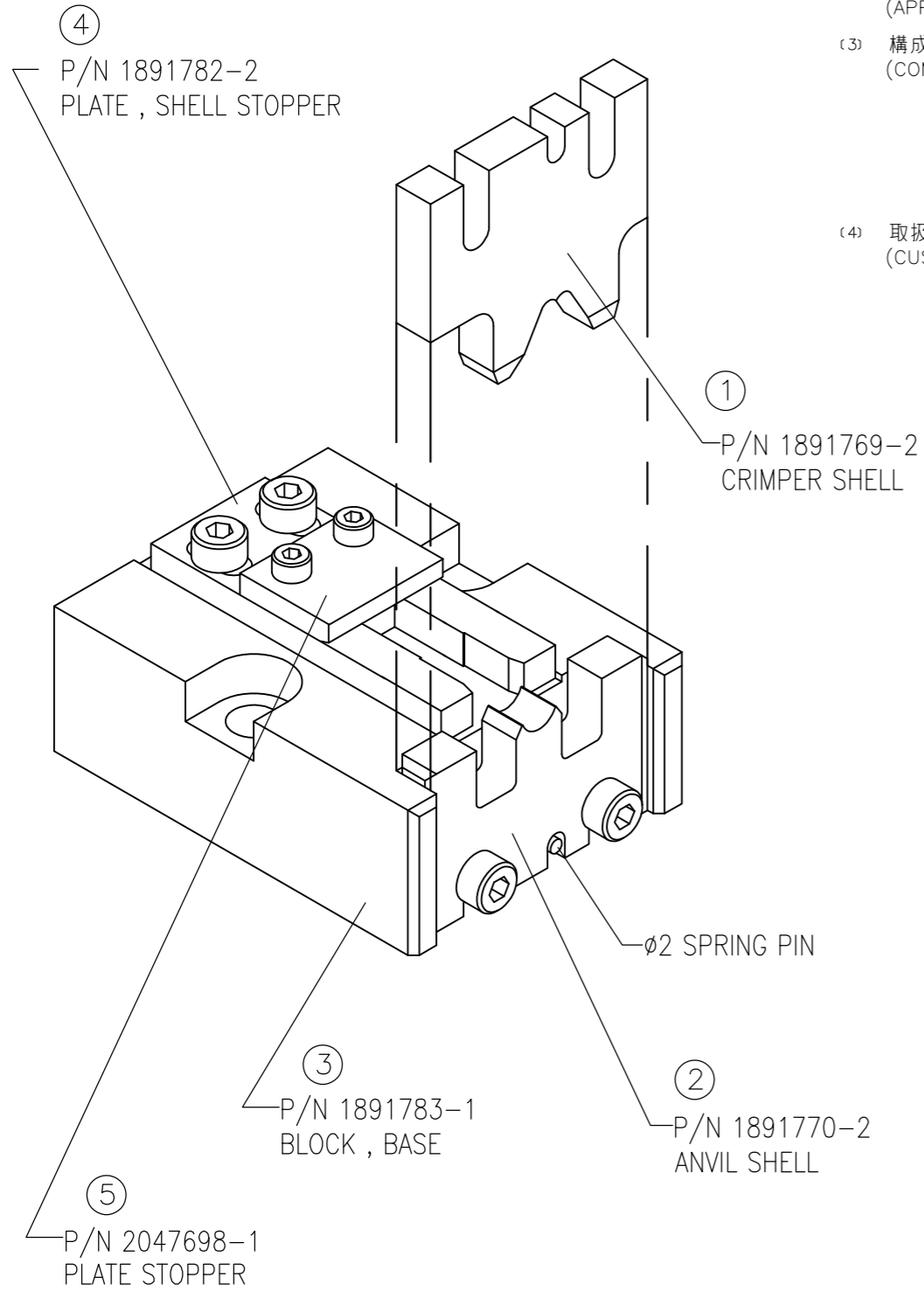
LOC	DIST	REVISIONS					
		P	LTR	DESCRIPTION	DATE	DWN	APVD
J	—		B	REDRAWN WITH REVISED	21 MAY 08	K.M	H.T

仕様 (Specifications)

- (1) 適用コネクタ : INDUSTRIAL MINI I/O (APPLICABLE CONNECTOR)
- (2) 適用ワイヤー : **** (APPLICABLE WIRE) ****
- (3) 構成部品 :
 - ① P/N 1891769-2 CRIMPER SHELL 1ea
 - ② P/N 1891770-2 ANVIL SHELL 1ea
 - ③ P/N 1891783-1 BLOCK BASE 1ea
 - ④ P/N 1891782-2 PLATE SHELL STOPPER 1ea
 - ⑤ P/N 2047698-1 PLATE STOPPER 1ea
- (4) 取扱説明書 : 411-78251 (CUSTOMER MANUAL)

注記 (NOTES)

- (1) 本部品は単体での使用は出来ません。別途プレスを用意して御使用下さい。(It is not possible to use it with this part alone.)
- (2) アンビル及びクリンパ取り付けの際は、上下の部品にズレが無い様に取り付けて下さい。(There must not be gap in upper and lower parts when you install ANVIL and CRIMPER.)
- (3) クリンプ高さを管理出来る様プレスには下死点を設けて下さい。(Thing to install descent edge stopper function in press)
- (4) クリンプ後の製品は114-5431で問題無きこと (The following Crimp product is a thing in 114-5431 without the problem.)



THIS DRAWING IS A CONTROLLED DOCUMENT.		DWN K. MARUYAMA 18 AUG 07	Tyco Electronics Tyco Electronics Corporation Kawasaki, Japan	
DIMENSIONS: 単位: 耗 mm		CHK S. YABE H. TANAKA	NAME 名称	
TOLERANCES UNLESS OTHERWISE SPECIFIED: 一般公差		APVD H. TANAKA 18 AUG 07	PRODUCT SPEC 製品規格	
0 PLC ± -		APPLICATION SPEC 取付適用規格		
1 PLC ± -		SIZE A3		
2 PLC ± -		CAGE CODE 00779		
3 PLC ± -		DRAWING NO 1891771-2		
4 PLC ± -		RESTRICTED TO		
5 PLC ± -		SCALE 尺度		
ANGLES ± -		SHEET 1 OF 1		
FINISH 仕上		REV B		
MATERIAL 材料		CUSTOMER DRAWING		