

CKT SIZE	*A* DIM	*B* DIM	*C* DIM	*D* DIM	*E* DIM	CABLE OD
18	1.320/33.55	.691/17.56	.950/24.13	1.835/46.62	.490/12.45	.310/7.87
28	1.570/39.90	.941/23.91	1.200/30.48	1.835/46.62	.490/12.45	.335/8.51
48	2.070/52.60	1.441/36.61	1.700/43.18	2.478/62.93	.569/14.45	.440/11.18

NOTES:

1. MATERIALS:

BACKSHELL - ZINC ALLOY DIE CAST, FINISH BLACK POLYURETHANE ENAMEL.

JACKSCREW - STEEL ALLOY, FINISH BLACK ZINC PLATING.

MOUNTING SCREW - STEEL ALLOY, FINISH BLACK ZINC PLATING.

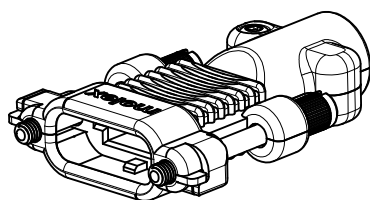
2. PLUG CABLE KIT COMPONENTS TO BE BULK PACKAGED PER PK-75115-990.

3. MOUNTING SCREW APPLICATION TORQUE TO BE MIN. 3 lbf-in AND NOT TO EXCEED 4 lbf-in.

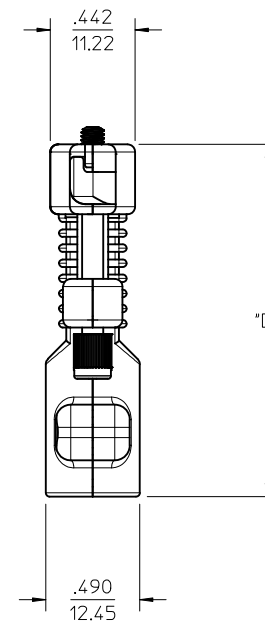
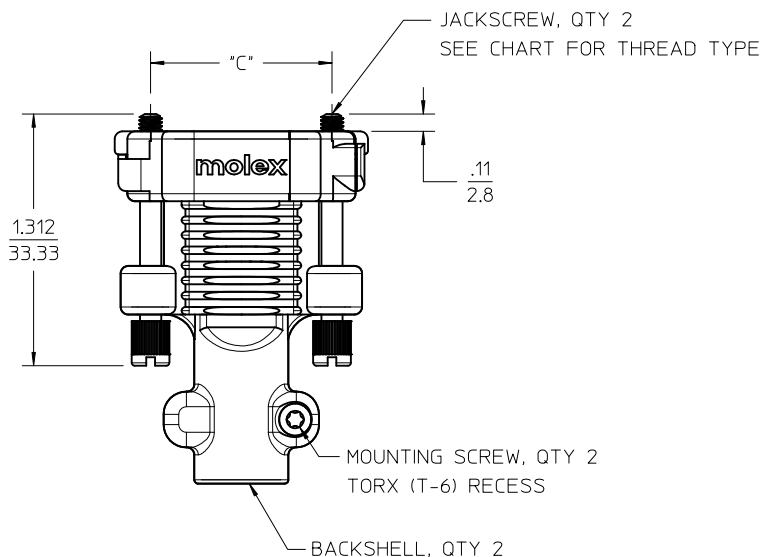
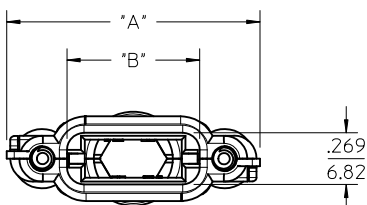
4. STRAIN RELIEF IS DESIGNED FOR THE CABLE DIAMETER SPECIFIED IN TABLE ON THIS PAGE.

WHEN USING SMALLER CABLE DIAMETER, USE HEAT SHRINK TUBING TO BUILD UP THE CABLE TO SPECIFIED DIAMETER.

5. PARTS CONFORM TO CLASS B OF COSMETIC SPECIFICATION PS-45499-002.



18 CIRCUIT PLUG CABLE KIT SHOWN



75115-0048	75115-1048	48
75115-0028	75115-1028	28
75115-0018	75115-1018	18
PLUG CABLE KIT (4-40 JACKSCREW)	PLUG CABLE KIT (M3 JACKSCREW)	CIRCUIT SIZE

CORRECT LENGTH DIM EC NO: UCP2011-3769 DRAWN BY: DRWINDMORGAN 2011/06/02 CHECKED BY: CHKD-MIBARRA 2011/06/02 APPR: S-MILLER 2011/06/20	QUALITY SYMBOLS ▽=0 ▽=0 ▽=0	GENERAL TOLERANCES (UNLESS SPECIFIED)		DIMENSION STYLE IN/MM		SCALE 2:1	DESIGN UNITS METRIC	THIRD ANGLE PROJECTION	
		mm	INCH	DRAWN BY	DATE	TITLE			
		4 PLACES ± .010	± .010	TMCCLELL	02/11/05	SALES DRAWING TDP PLUG CABLE KIT BLACK FINISH	MOLEX INCORPORATED	SD-75115-001	SHEET NO. 1 OF 1
		3 PLACES ± .010	± .010	CHECKED BY	DATE				
		2 PLACES ± 0.25	± .015	TMCCLELL	02/11/07				
		1 PLACE ± 0.38	± .010	APPROVED BY	DATE	DOCUMENT NO.			
		ANGULAR ± 1/2°		BANAKIS	02/11/07				
		DRAFT WHERE APPLICABLE MUST REMAIN WITHIN DIMENSIONS		SEE CHART					
		THIS DRAWING CONTAINS INFORMATION THAT IS PROPRIETARY TO MOLEX INCORPORATED AND SHOULD NOT BE USED WITHOUT WRITTEN PERMISSION							