

NOTES:

1. MATERIALS AND FINISHES

- HOUSING - BRASS, GOLD PLATED
- BODY - BERYLLIUM COPPER, GOLD PLATED
- CONTACT PIN - BRASS, GOLD PLATED
- COVER - BRASS, GOLD PLATED
- INSULATOR - PTFE, NATURAL
- INSULATOR - DELRIN, COLOR NATURAL

2. ELECTRICAL:

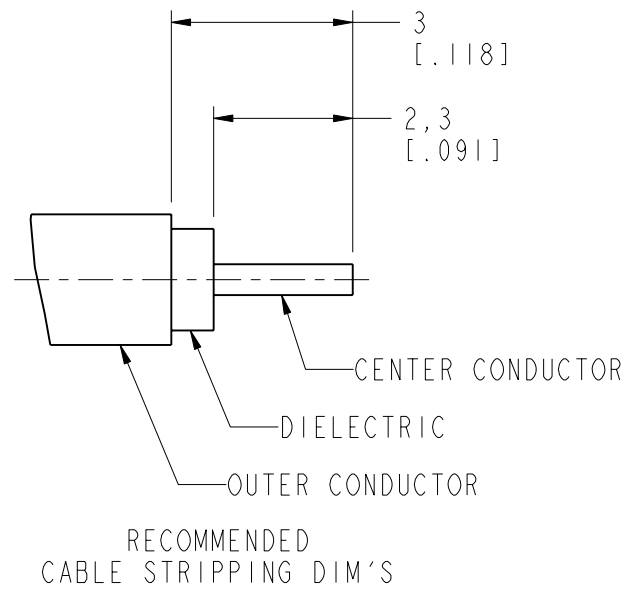
- A. IMPEDANCE: 50 OHM
- B. FREQUENCY RANGE: 0 - 6 GHz
- C. VSWR (RETURN LOSS): 1.30 MAX
- D. DIELECTRIC WITHSTANDING VOLTAGE: 1000 VRMS, MIN.

3. MECHANICAL:

- A. DURABILITY: 500 CYCLES MIN.
- B. TEMPERATURE RANGE: -40°C TO +85°C

4. CABLE ASSEMBLY INSTRUCTIONS:

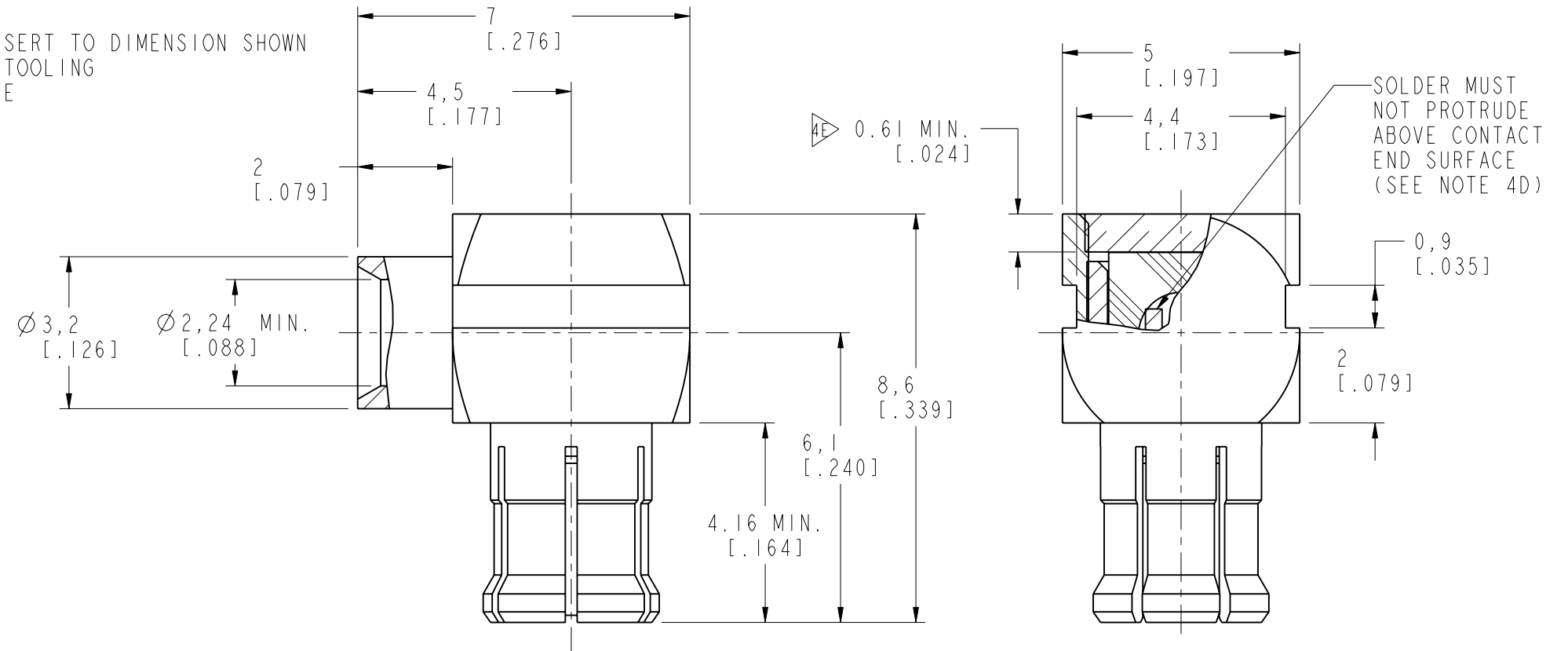
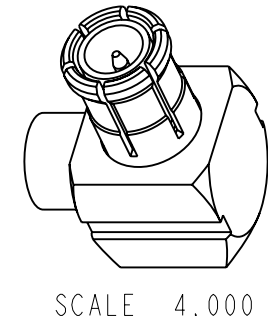
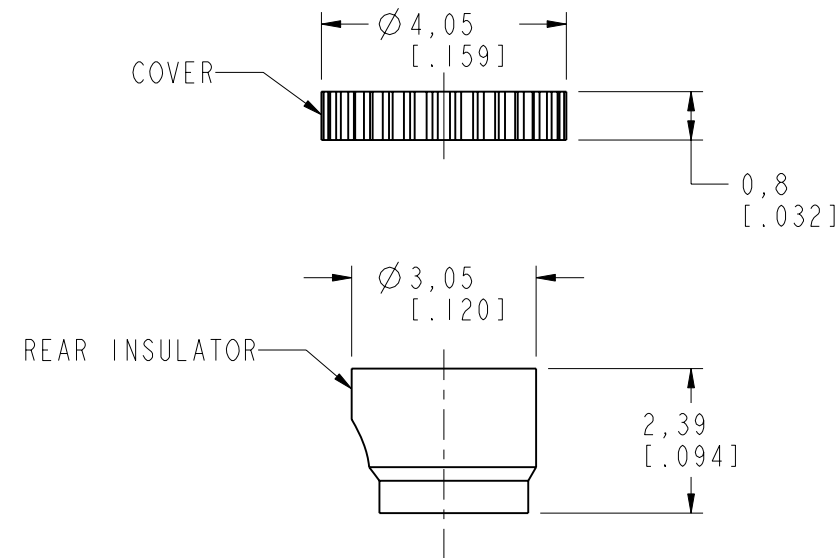
- A. TRIM CABLE AS SHOWN
- B. INSERT CABLE INTO BODY UNTIL IT BOTTOMS
- C. SOLDER CABLE OUTER CONDUCTOR TO BODY
- D. SOLDER CABLE CENTER CONDUCTOR TO CONTACT, THE SOLDER MUST NOT PROTRUDE ABOVE THE CENTER CONTACT END SURFACE
- E. ORIENT REAR INSULATOR SLOT WITH CABLE DIELECTRIC AND INSERT TO DIMENSION SHOWN
- F. INSERT CAP UNTIL FLUSH WITH SURFACE OF BODY, INSERTION TOOLING MUST ENSURE THAT CAP SURFACE IS PARALLEL TO BODY SURFACE



THIRD ANGLE PROJ.

REVISIONS

REV	DESCRIPTION	DATE	ECO	APPR
A	UPDATE DRAWING FORMAT	08-Feb-03	-----	GRS
B	REVISE BODY MATERIAL	14-May-14	2743	MZ



CUSTOMER OUTLINE DRAWING
ALL OTHER SHEETS ARE FOR INTERNAL USE ONLY

UNLESS OTHERWISE SPECIFIED, DIMENSIONS ARE IN METRIC AND TOLERANCES ARE:
 < 0.5mm ± 0.05mm 0.5 - 6mm ± 0.1mm 6 - 30mm ± 0.2mm 30 - 120mm ± 0.3mm ANGLES ± 1°

NOTICE - These drawings, specifications, or other data (1) are, and remain the property of Amphenol corp. (2) must be returned upon request; and (3) are confidential and not to be disclosed to any person other than those to whom they are given by Amphenol Corp. the furnishing of these drawings, specifications, or other data by Amphenol Corp., or to any other person for any purpose is not to be regarded by implication or otherwise in any manner licensing, granting rights to permitting such holder or any other person to manufacture, use or sell any product, process or design, patented or otherwise, that may in any way be related to or disclosed by said drawings, specifications, or other data.

MATERIAL -	DRAWN M. ZHANG	DATE 14-May-14	TITLE MCX R/A DIRECT SOLDER PLUG (FOR .085", .086" SEMI RIGID CABLE)	Amphenol Connex
	ENGINEER S. DUAN	DATE 14-May-14		
	APPROVED S. HSIEH	DATE 14-May-14		
	CAD FILE			
REFERENCE EAR# 6249 MCX1182A1-3GT30G-.085-50	FINISH		SCALE: 8.0:1.0	SHEET 1 OF 1
			DWG SIZE B	REV B
				DRAWING NO.
				ITEM NO.
				PART NO. 252109