

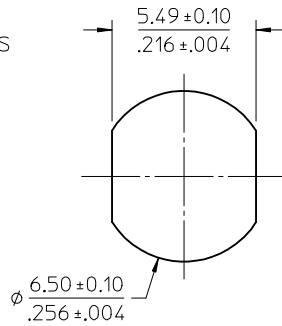
MATERIALS AND FINISHES

BODY, JAM NUT, FLAT WASHER: BRASS
PLATED: GOLD

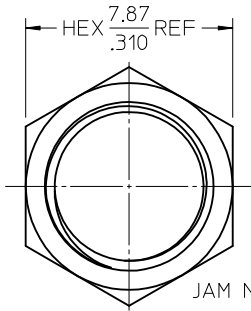
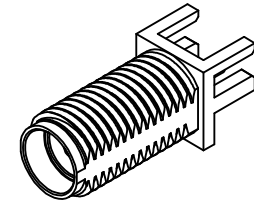
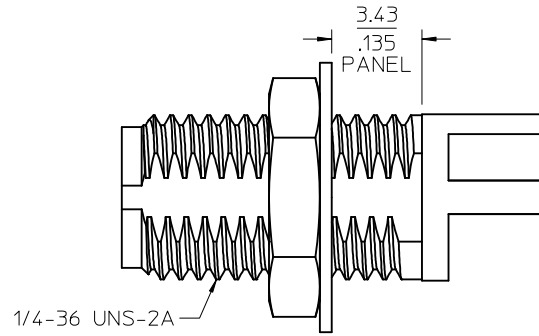
CENTER CONTACT: BeCu
PLATED: GOLD

INSULATOR: TEFLON

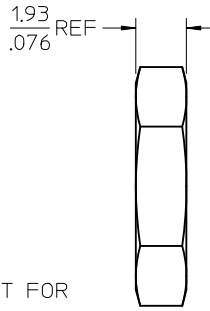
LOCKWASHER: PHOSPHOR BRONZE
PLATED: GOLD



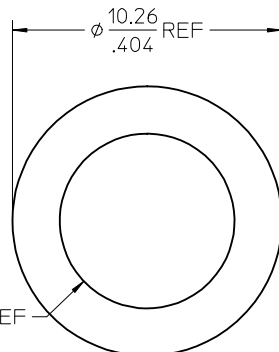
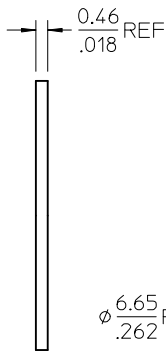
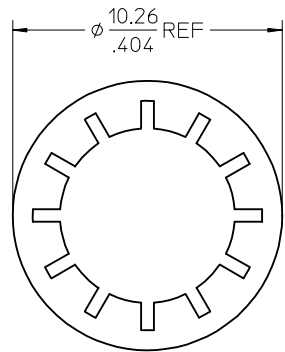
RECOMMENDED PANEL CUTOUT



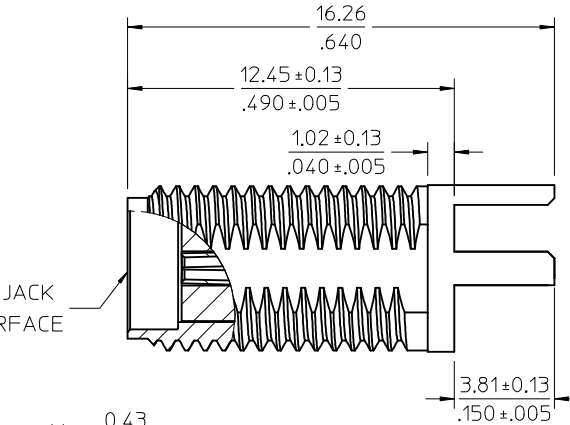
JAM NUT FOR
73251-2121 & -2122



LOCK WASHER FOR
73251-2121 ONLY



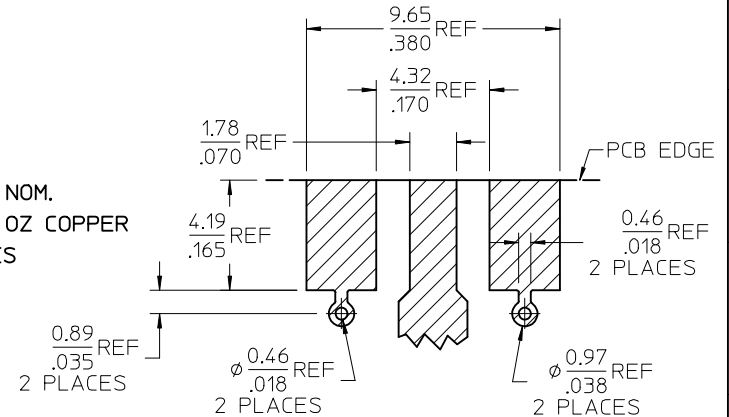
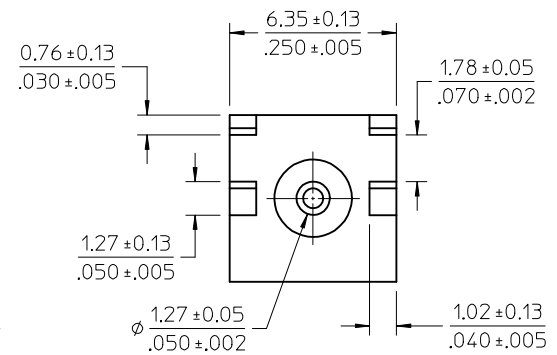
FLAT WASHER FOR
73251-2122 ONLY



SMA JACK
INTERFACE

RECOMMENDED PAD LAYOUT

BASE WIDTH: 6.35(.250) NOM.
BOARD THICKNESS: 1.57(.062) NOM.
BOARD MATERIAL: FR4 W/1.0 OZ COPPER
BOTH SIDES



73251-2123	ONE PIECE -2120 WITHOUT HARDWARE PER BAG
73251-2122	-2120 W/JAM NUT & FLAT WASHER / TRAY PACKING
73251-2121	-2120 W/JAM NUT & LOCK WASHER / TRAY PACKING
73251-2120	-2120 WITHOUT HARDWARE / TRAY PACKING
PART NO.	DESCRIPTION
PS-89675-3460	PRODUCT SPECIFICATION
MIL-STD-348A, FIG. 310.2	INTERFACE
SPECIFICATION	DESCRIPTION

CHG: REGENERATED DWG & ADDED TOLERANCE PER RF13-E072	DATE: 2012/12/12
EC NO.: URF2013-0355	
DRW:RYEH	CHKD: MHIANG
APPR: MHIANG	DESCRIPTION
REV: A5	

QUALITY SYMBOLS	GENERAL TOLERANCES (UNLESS SPECIFIED)	DIMENSION STYLE	SCALE	DESIGN UNITS	THIRD ANGLE PROJECTION
▽=0	mm INCH	MM/IN	7:1	METRIC	
▽=0	4 PLACES ± --- ± ---	DRAWN BY	DATE	TITLE	
▽=0	3 PLACES ± --- ± ---	SSS	2003/07/09	SMA JACK, EDGE MOUNT	
	2 PLACES ± --- ± ---	CHECKED BY	DATE	.062 BOARD, 50 OHMS,	
	1 PLACE ± --- ± ---	TEF	2003/07/09	EW-2074 SMA-J/PCB	
	0 PLACE ± ±	APPROVED BY	DATE		
	ANGULAR ± 2 °	JWIENER	2010/10/27		
	DRAFT WHERE APPLICABLE MUST REMAIN WITHIN DIMENSIONS	MATERIAL NO.	DOCUMENT NO.	SHEET NO.	
		SEE TABLE	SD-73251-212	1 OF 1	
		SIZE C	THIS DRAWING CONTAINS INFORMATION THAT IS PROPRIETARY TO MOLEX INCORPORATED AND SHOULD NOT BE USED WITHOUT WRITTEN PERMISSION		