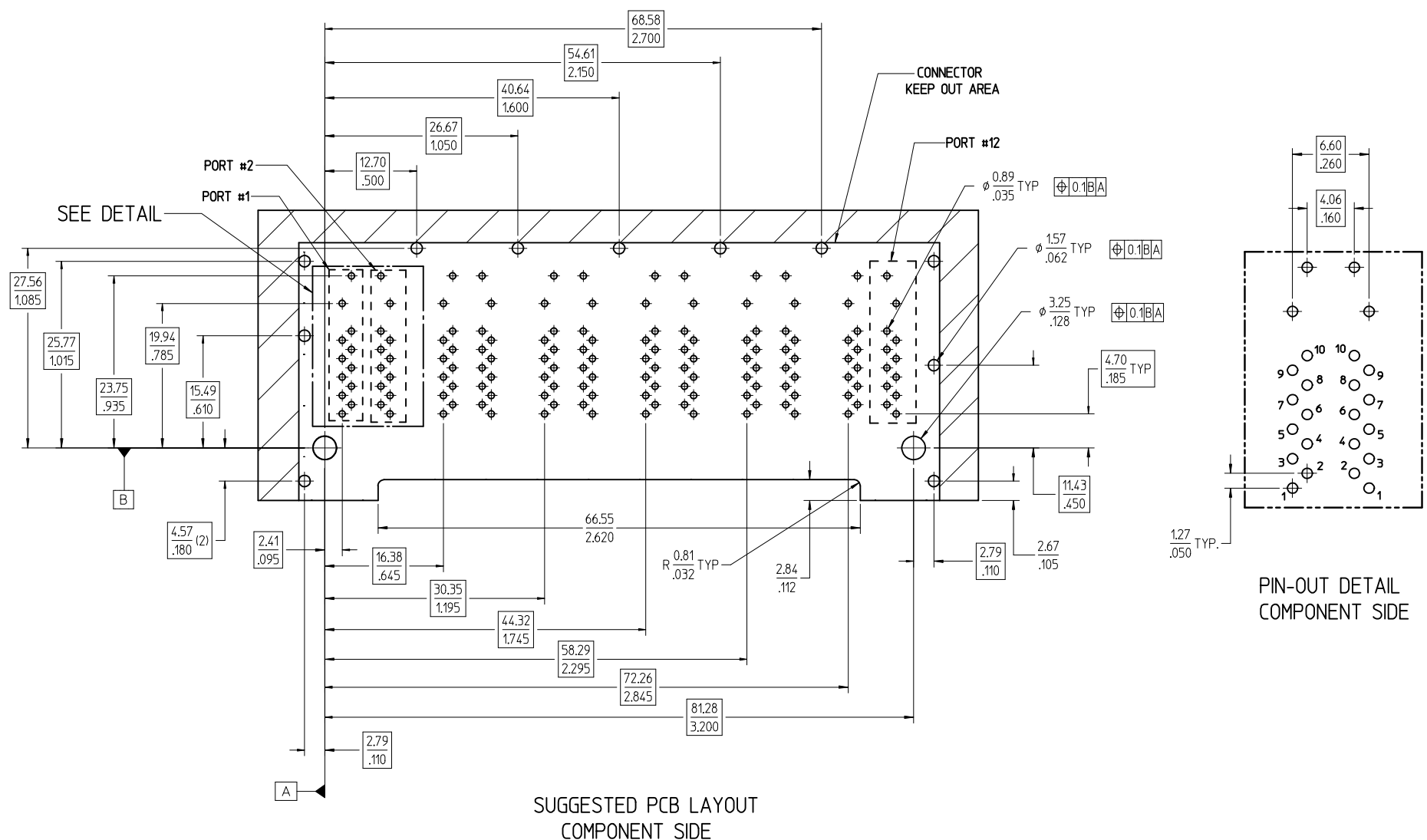


- NOTES:**
- MATERIAL:**
HOUSING: POLYESTER, GLASS FILLED, UL94V-0, COLOR: BLACK
CONTACT BEAMS: COPPER ALLOY, SHIELD: BRASS, PCB PINS: SPRING STEEL
 - PLATING:**
CONTACT BEAMS: 50 MICROINCHES MIN. GOLD AND 50 MICROINCHES MIN TIN OVER 50 MICROINCHES MIN NICKEL UNDERPLATE
SHIELD: NICKEL WITH SELECT TIN DIP ON GROUND TABS
PCB PINS: TIN DIP
 - PRODUCT SPECIFICATION:** PS-46030-003
 - PRODUCT IS TRAY PACKAGED PER PACKAGING SPECIFICATION:** PK-46030-001.
 - CONFORMS TO FCC REGULATION PART 68.5 FOR MODULAR JACKS.**
 - MOLEX PART NUMBER, REVISION LETTER, AND DATE CODE ARE LOCATED IN AREA SHOWN. MANUFACTURING DATE CODE IS 3 DIGIT JULIAN DAY AND 1 DIGIT YEAR (EXAMPLE: 0337 IS FEBRUARY 2, 2007).**
 - SHIELD SURFACE FINISHES (CLASS A, B & C) COMPLY WITH THE REQUIREMENTS FOR VISUAL ACCEPTANCE PER COSMETIC SPECIFICATION ES-46030-006.**
 - PRODUCT IS ELV AND RoHS COMPLIANT.**

46630-0004	3.56/.140
46630-0003	2.92/.115
46630-0002	2.29/.090
MAT'L NUMBER	DIM "A"

REVISED NOTES: EC NO: UCP2009-1429 DRW: SCAMPBELL, UC 2009/03/25 CHKD: 2009/03/25 APPR: MBANAKIS 2009/03/26	QUALITY SYMBOLS ▽=0 ▽=0	GENERAL TOLERANCES (UNLESS SPECIFIED)		DIMENSION STYLE MM/IN	SCALE 2:1	DESIGN UNITS METRIC	THIRD ANGLE PROJECTION														
		<table border="1"> <tr> <th></th> <th>mm</th> <th>INCH</th> </tr> <tr> <td>4 PLACES</td> <td>± .13</td> <td>± .005</td> </tr> <tr> <td>3 PLACES</td> <td>± .13</td> <td>± .010</td> </tr> <tr> <td>2 PLACES</td> <td>± 0.25</td> <td>± .010</td> </tr> <tr> <td>1 PLACE</td> <td>± 0.25</td> <td>± .010</td> </tr> </table>		mm	INCH	4 PLACES	± .13	± .005	3 PLACES	± .13	± .010	2 PLACES	± 0.25	± .010	1 PLACE	± 0.25	± .010	DRAWN BY: MKAMAR DATE: 2007/08/06	TITLE 2X6 STACKED MAGNETIC MODJACK ASSEMBLY POE FUSED VERSION		
			mm	INCH																	
		4 PLACES	± .13	± .005																	
3 PLACES	± .13	± .010																			
2 PLACES	± 0.25	± .010																			
1 PLACE	± 0.25	± .010																			
ANGULAR ±1/2°	CHECKED BY: TMCCLELLAND DATE: 2007/08/06	MOLEX INCORPORATED																			
DRAFT WHERE APPLICABLE MUST REMAIN WITHIN DIMENSIONS	APPROVED BY: MBANAKIS DATE: 2007/08/06	SEE CHART	DOCUMENT NO. SD-46630-003	SHEET NO. 1 OF 3																	

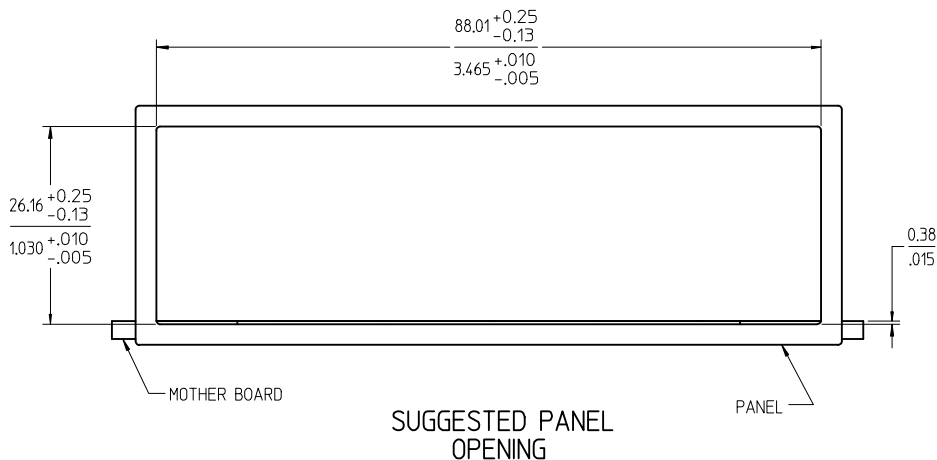
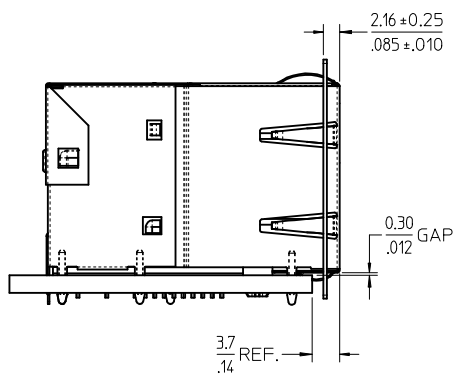
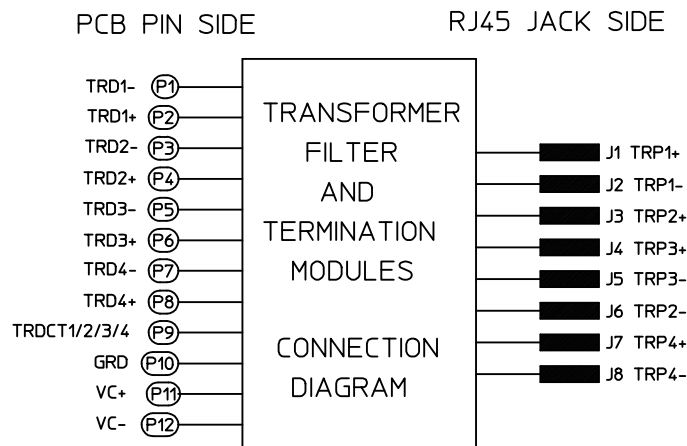
THIS DRAWING CONTAINS INFORMATION THAT IS PROPRIETARY TO MOLEX INCORPORATED AND SHOULD NOT BE USED WITHOUT WRITTEN PERMISSION



SUGGESTED PCB LAYOUT
COMPONENT SIDE

SEE SHEET 1 EC NO: UCP2009-1429 DRWNS: CAMPBELL, UC 2009/03/25 CHKD: 2009/03/25 APPR: MBANAKIS 2009/03/26	QUALITY SYMBOLS ▽=0 ▽=0	GENERAL TOLERANCES (UNLESS SPECIFIED) <table border="1"> <thead> <tr> <th></th> <th>mm</th> <th>INCH</th> </tr> </thead> <tbody> <tr> <td>4 PLACES</td> <td>± .005</td> <td>± .0005</td> </tr> <tr> <td>3 PLACES</td> <td>± .005</td> <td>± .0005</td> </tr> <tr> <td>2 PLACES</td> <td>± 0.13</td> <td>± .010</td> </tr> <tr> <td>1 PLACE</td> <td>± 0.25</td> <td>± .010</td> </tr> </tbody> </table> ANGULAR ±1/2°		mm	INCH	4 PLACES	± .005	± .0005	3 PLACES	± .005	± .0005	2 PLACES	± 0.13	± .010	1 PLACE	± 0.25	± .010	DIMENSION STYLE MM/IN	SCALE 2:1	DESIGN UNITS METRIC	THIRD ANGLE PROJECTION
		mm	INCH																		
	4 PLACES	± .005	± .0005																		
	3 PLACES	± .005	± .0005																		
2 PLACES	± 0.13	± .010																			
1 PLACE	± 0.25	± .010																			
DRAWN BY MKAMAR	DATE 2007/08/06	CHECKED BY TMCCLELLAND	DATE 2007/08/06	TITLE 2X6 STACKED MAGNETIC MODJACK ASSEMBLY POE FUSED VERSION																	
APPROVED BY MBANAKIS	DATE 2007/08/06	MATERIAL NO. SEE SHEET 1			DOCUMENT NO. SD-46630-003																
DRAFT WHERE APPLICABLE MUST REMAIN WITHIN DIMENSIONS			SIZE C	THIS DRAWING CONTAINS INFORMATION THAT IS PROPRIETARY TO MOLEX INCORPORATED AND SHOULD NOT BE USED WITHOUT WRITTEN PERMISSION																	

ELECTRICAL CHARACTERISTIC		VALUE AT 25°C	
J	INSERTION LOSS	1 - 40 MHz	0.5 dB MAX
		40 - 100 MHz	1.0 dB MAX
		100 - 125 MHz	1.3 dB MAX
I	RETURN LOSS	1 - 40 MHz	18 dB MIN
		40 - 100 MHz	12 dB MIN
		100 - 125 MHz	10 dB MIN
H	OPEN CIRCUIT INDUCTANCE (OCL)	100kHz / 0.1V / 8mA DC	350 μH MIN
		TURN RATIO	1.00±0.02
G	INSULATION RESISTANCE	2000 VDC FOR 60 SECONDS	
		350 mA CONTINUOUS	
		500 mA FOR 400 MILLISECONDS	
F	DC HANDLING CAPABILITY FROM CENTER TAP	350 mA CONTINUOUS	
		500 mA FOR 400 MILLISECONDS	
E	COMMON MODE TO DIFFERENTIAL MODE	100 kHz - 40 MHz	-50 dB MAX
		40 - 100 MHz	-40 dB MAX
		100 - 200 MHz	-35 dB MAX
D	COMMON MODE TO COMMON MODE	100 kHz - 40 MHz	-50 dB MAX
		40 - 100 MHz	-40 dB MAX
		100 - 200 MHz	-33 dB MAX
		200 - 300 MHz	-25 dB MAX
		300 - 500 MHz	-20 dB MAX



SEE SHEET 1 EC NO: UCP2009-1429 DRWNS: CAMPBELL_UC 2009/03/25 CHKD: 2009/03/25 APPR: MBANAKIS 2009/03/26	QUALITY SYMBOLS ▽=0 ▽=0	GENERAL TOLERANCES (UNLESS SPECIFIED) <table border="1"> <thead> <tr> <th></th> <th>mm</th> <th>INCH</th> </tr> </thead> <tbody> <tr> <td>4 PLACES</td> <td>± .---</td> <td>± .---</td> </tr> <tr> <td>3 PLACES</td> <td>± .---</td> <td>± .005</td> </tr> <tr> <td>2 PLACES</td> <td>± 0.13</td> <td>± .010</td> </tr> <tr> <td>1 PLACE</td> <td>± 0.25</td> <td>± .---</td> </tr> </tbody> </table>		mm	INCH	4 PLACES	± .---	± .---	3 PLACES	± .---	± .005	2 PLACES	± 0.13	± .010	1 PLACE	± 0.25	± .---	DIMENSION STYLE MM/IN	SCALE 2:1	DESIGN UNITS METRIC	THIRD ANGLE PROJECTION
		mm	INCH																		
	4 PLACES	± .---	± .---																		
	3 PLACES	± .---	± .005																		
2 PLACES	± 0.13	± .010																			
1 PLACE	± 0.25	± .---																			
DRAWN BY MKAMAR	DATE 2007/08/06	TITLE 2X6 STACKED MAGNETIC MODJACK ASSEMBLY POE FUSED VERSION		MOLEX INCORPORATED		SHEET NO. 3 OF 3															
APPROVED BY MBANAKIS		DATE 2007/08/06		DOCUMENT NO. SD-46630-003		THIS DRAWING CONTAINS INFORMATION THAT IS PROPRIETARY TO MOLEX INCORPORATED AND SHOULD NOT BE USED WITHOUT WRITTEN PERMISSION															
DRAFT WHERE APPLICABLE MUST REMAIN WITHIN DIMENSIONS		SEE SHEET 1		MATERIAL NO.																	