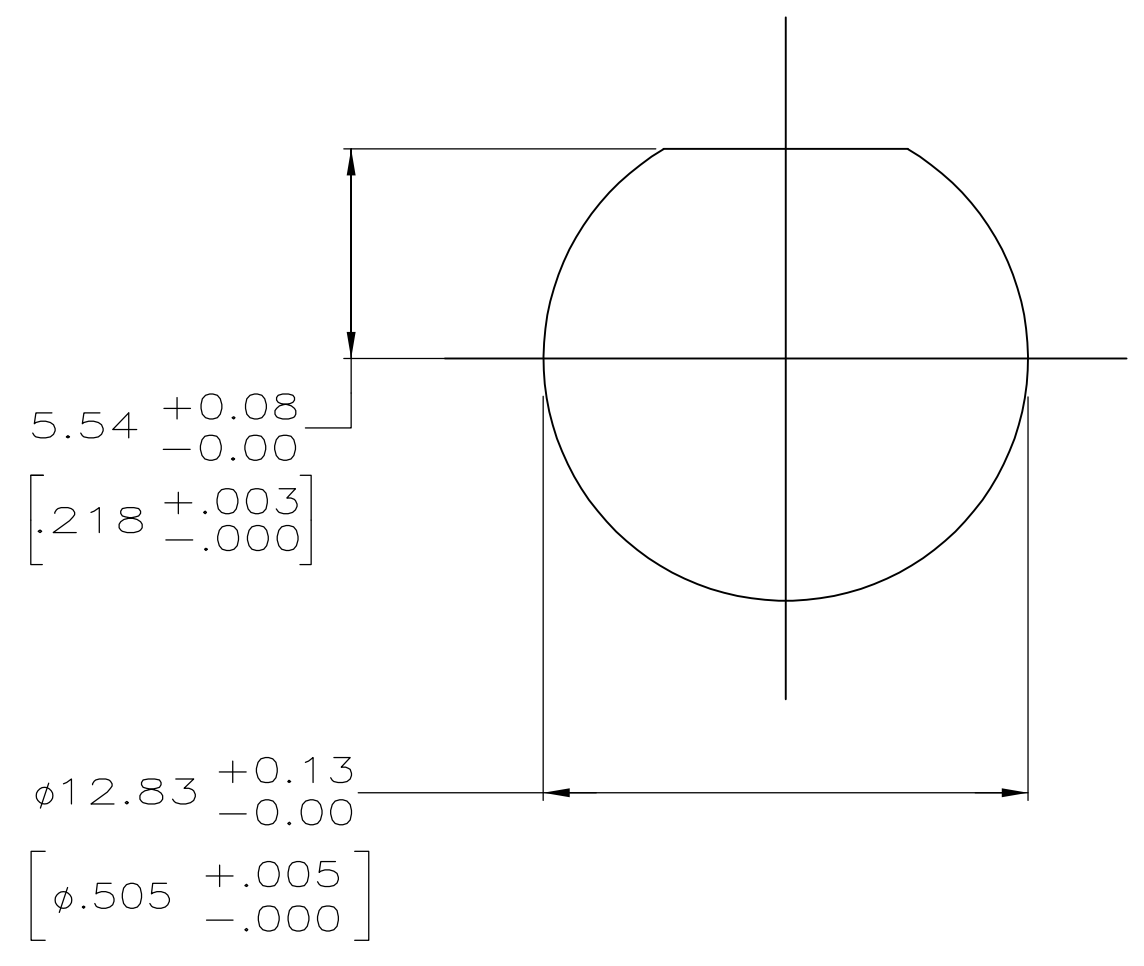
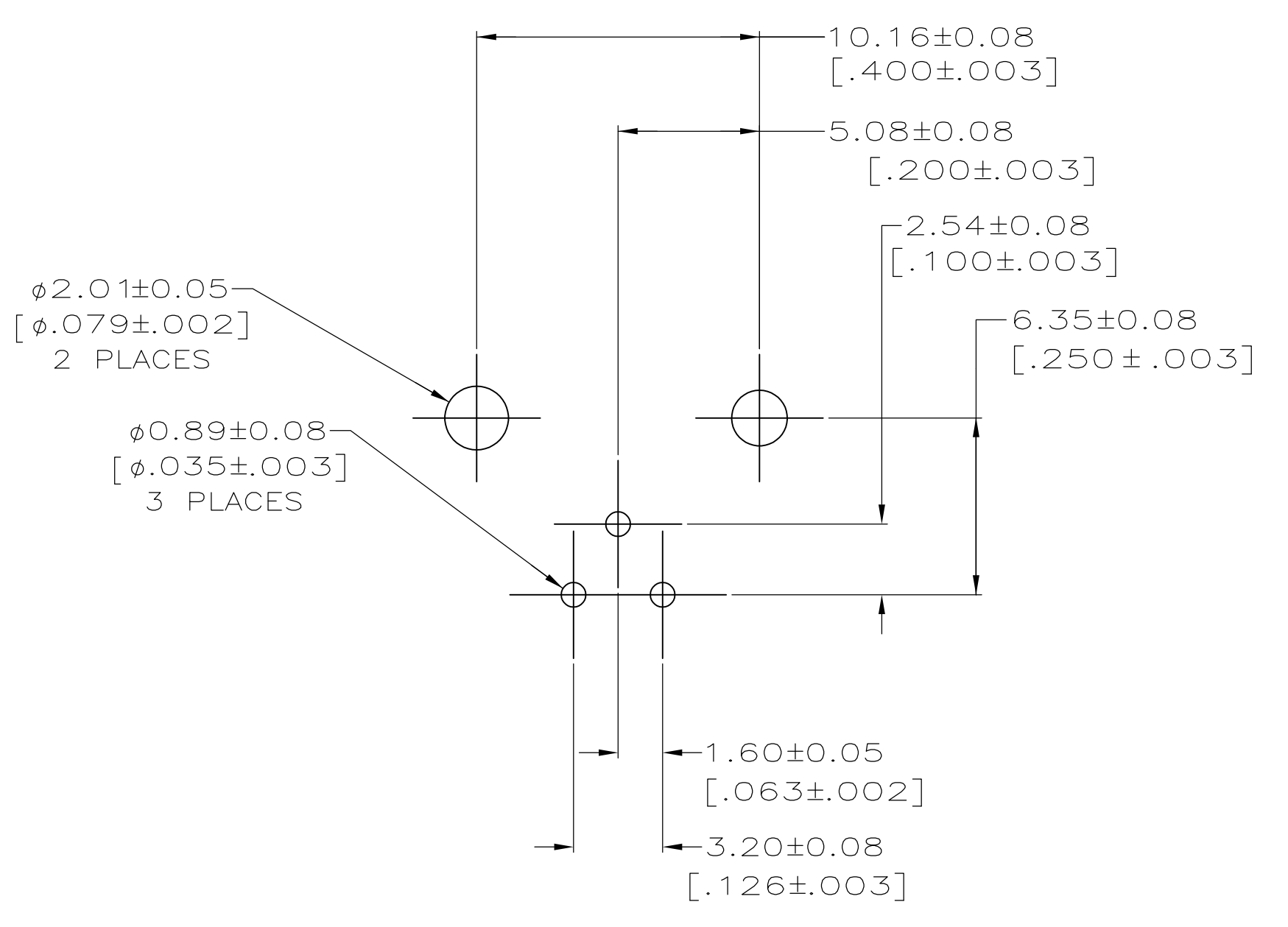


- 1 POLYESTER, PBT, 15% GLASS FIBER REINFORCED, NATURAL, PER MIL-M-24519.
- 2 ZINC PER QQ-Z-363.
- 3 POLYMETHYLPENTENE, GENERAL PURPOSE.
- 4 PHOSPHOR BRONZE PER QQ-B-750.
- 5 BRASS PER QQ-B-626.
- 6 BRASS PER ASTM-B-453.
- 7 NICKEL PL PER QQ-N-290, 3.81 µm [.000150] MINIMUM THICK
- 8 GOLD PL PER MIL-G-45204, 0.76 µm [.000030] MINIMUM THICK
- 9 TIN PL PER ASTM-B-545 3.81 µm [.000150] MINIMUM THICK



5228686-1
PART NO

THIS DRAWING IS A CONTROLLED DOCUMENT.		DIN	L. VARELA - DOCKS	21APR2005	 TE Connectivity
DIMENSIONS: INCHES		CHK	J. HAVENER	21APR2005	
TOLERANCES UNLESS OTHERWISE SPECIFIED:		APVD	J. LIPPERT	21APR2005	NAME
0 PLC	± -	PRODUCT SPEC			JACK ASSEMBLY, RIGHT ANGLE, PCB, SERIES TWIN BNC
1 PLC	± -	APPLICATION SPEC			
2 PLC	± 0.20[.008]	SIZE			
3 PLC	± -	CAGE CODE			
4 PLC	± -	DRAWING NO			RESTRICTED TO
ANGLES	± -	WEIGHT			—
MATERIAL	△△△△△	CUSTOMER DRAWING			SCALE
FINISH	△△△△△	A1 00779 C=5228686			SHEET
					1 OF 1
					REV
					A1