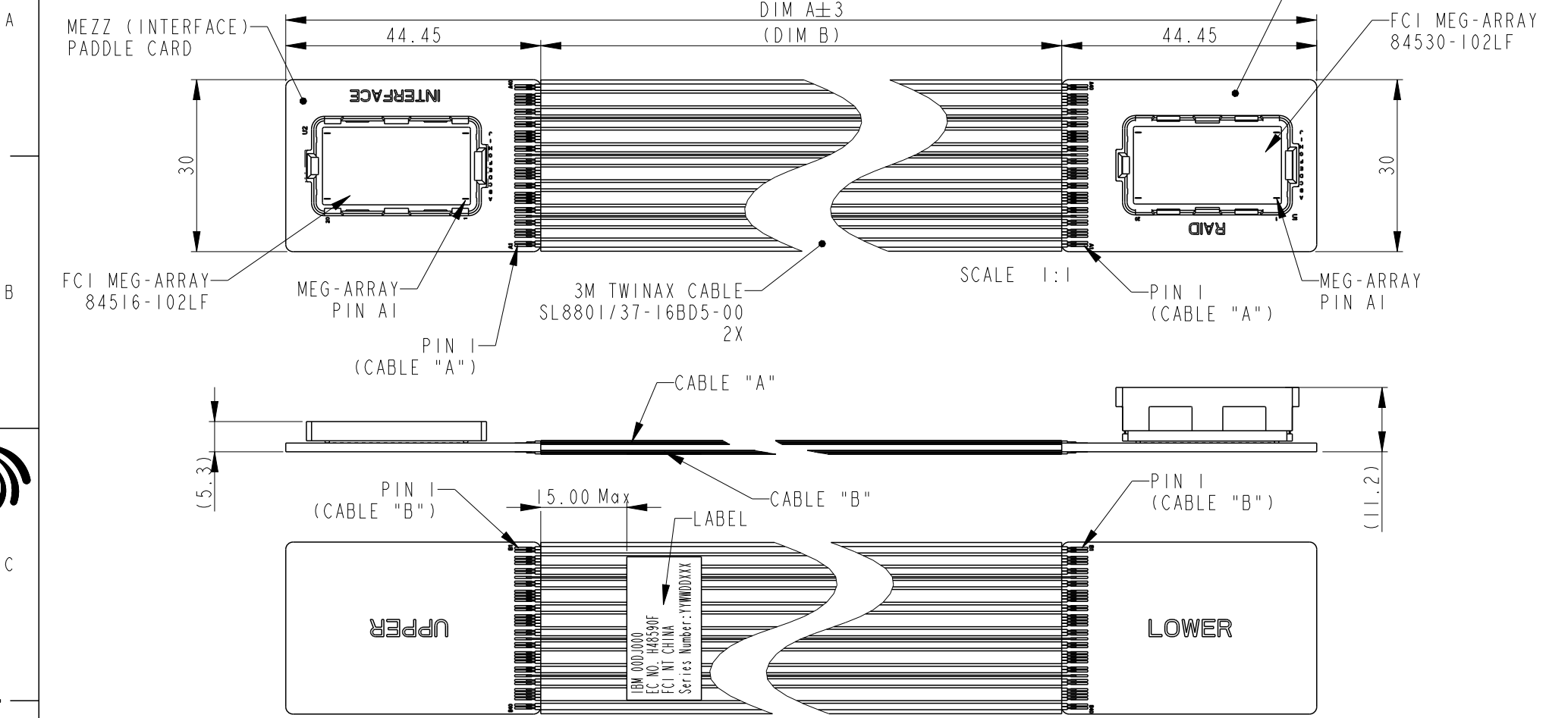


PRODUCT NUMBER	DIM A	(DIM B)	PIN ASSIGNMENT PAGE 2 & 3
10125737-001LF	333	(244)	
10125737-002LF	179	(90)	
10125737-003LF	229	(140)	



Copyright FCI.

spec ref	dr Kenny Tai		2013/06/19	projection	mm	size	A4	scale	1:5										
tolerance std	eng Ya Li		2014/03/05				ecn no	ELX-N-17093-1											
	chr -		-					rel level	Released										
surface <input checked="" type="checkbox"/>	appr Delhy Liu		2014/03/05	product family	-	dwg no	10125737		rev										
	<table border="1"> <tr> <td rowspan="3">linear</td> <td>0.X</td> <td>±.3</td> </tr> <tr> <td>0.XX</td> <td>±.15</td> </tr> <tr> <td>0.XXX</td> <td>±</td> </tr> <tr> <td>angular</td> <td>0°</td> <td>±°</td> </tr> </table>		linear	0.X	±.3		0.XX	±.15	0.XXX	±	angular	0°	±°			title	PADDLE CARDS ASSEMBLY		D
	linear	0.X		±.3															
0.XX		±.15																	
0.XXX		±																	
angular	0°	±°																	
www.fci.com		cat. no.	10125737	Product - Customer Drw		sheet 1 of 4													

ProjE File - REV C - 2009-06-09



Copyright FCI.

RAID MegArray	RAID TwinAx Lower	"A" Cable (same side as MegArray)	MEZZ TwinAx Upper	MEZZ MegArray	RAID MegArray	RAID TwinAx Lower	"B" Cable	MEZZ TwinAx Upper	MEZZ MegArray
	P1	Pin Description	P2			P1	Pin Description	P2	
A7	A1	HS_PCIE16_RAID_TX_IF_RX_3_N	A1	A5	A3	B1	HS_PCIE16_RAID_TX_IF_RX_7_N	B1	A1
B7	A2	HS_PCIE16_RAID_TX_IF_RX_3_P	A2	B5	B3	B2	HS_PCIE16_RAID_TX_IF_RX_7_P	B2	B1
Plane Shape	A3	SE_12V0	A3	Plane Shape	Plane Shape	B3	SE_12V0	B3	Plane Shape
Plane Shape	A4	SE_GND	A4	Plane Shape	Plane Shape	B4	SE_GND	B4	Plane Shape
I4	A5	LS_RAID_IF_DEVICE_DIS_1_N	A5	I17	G2	B5	LS_RAID_IF_PCIE_RESET_N	B5	G19
C8	A6	HS_PCIE16_RAID_TX_IF_RX_2_N	A6	C6	C4	B6	HS_PCIE16_RAID_TX_IF_RX_6_N	B6	C2
D8	A7	HS_PCIE16_RAID_TX_IF_RX_2_P	A7	D6	D4	B7	HS_PCIE16_RAID_TX_IF_RX_6_P	B7	D2
Plane Shape	A8	GND	A8	Plane Shape	Plane Shape	B8	GND	B8	Plane Shape
A9	A9	HS_PCIE16_RAID_TX_IF_RX_1_N	A9	A7	A5	B9	HS_PCIE16_RAID_TX_IF_RX_5_N	B9	A3
B9	A10	HS_PCIE16_RAID_TX_IF_RX_1_P	A10	B7	B5	B10	HS_PCIE16_RAID_TX_IF_RX_5_P	B10	B3
Plane Shape	A11	SE_GND	A11	Plane Shape	Plane Shape	B11	SE_GND	B11	Plane Shape
Plane Shape	A12	SE_12V0	A12	Plane Shape	Plane Shape	B12	SE_3V3	B12	Plane Shape
Plane Shape	A13	SE_12V0	A13	Plane Shape	G1	B13	LS_RAID_IF_SLOT_ID_0	B13	G20
Plane Shape	A14	SE_GND	A14	Plane Shape	H1	B14	LS_RAID_IF_SLOT_ID_1	B14	H20
C10	A15	HS_PCIE16_RAID_TX_IF_RX_0_N	A15	C8	C6	B15	HS_PCIE16_RAID_TX_IF_RX_4_N	B15	C4
D10	A16	HS_PCIE16_RAID_TX_IF_RX_0_P	A16	D8	D6	B16	HS_PCIE16_RAID_TX_IF_RX_4_P	B16	D4
D3	A17	LS_IF_RAID_PRESENCE_OUT_N	A17	B18	G3	B17	LS_IF_RAID_I2C_INT_N	B17	G18
H3	A18	LS_RAID_IF_ALL_PGOOD	A18	H18	D1	B18	LS_RAID_IF_I2C_RESET_N	B18	D20
I3	A19	LS_IF_RAID_PGOOD	A19	I18	E1	B19	LS_RAID_IF_I2C_SDA	B19	E20
C2	A20	LS_IF_RAID_AUXPGOOD	A20	C19	F1	B20	LS_RAID_IF_I2C_SCL	B20	F20
C20	A21	HS_RAID_IF_PCIE_REFCLK1_N	A21	C18	G9	B21	HS_PCIE16_IF_TX_RAID_RX_4_P	B21	G5
D20	A22	HS_RAID_IF_PCIE_REFCLK1_P	A22	D18	H9	B22	HS_PCIE16_IF_TX_RAID_RX_4_N	B22	H5
Plane Shape	A23	GND	A23	Plane Shape	Plane Shape	B23	GND	B23	Plane Shape
G5	A24	HS_PCIE16_IF_TX_RAID_RX_0_P	A24	G1	I10	B24	HS_PCIE16_IF_TX_RAID_RX_5_P	B24	I6
H5	A25	HS_PCIE16_IF_TX_RAID_RX_0_N	A25	H1	J10	B25	HS_PCIE16_IF_TX_RAID_RX_5_N	B25	J6
Plane Shape	A26	SE_GND	A26	Plane Shape	Plane Shape	B26	SE_GND	B26	Plane Shape
Plane Shape	A27	SE_12V0	A27	Plane Shape	Plane Shape	B27	SE_12V0	B27	Plane Shape
B2	A28	LS_RAID_IF_LED_PWR	A28	B19	H4	B28	LS_RAID_IF_PRESENCE_IN_N	B28	H17
H2	A29	LS_RAID_IF_ERR_LED_CATHODE	A29	H19	Plane Shape	B29	SE_GND	B29	Plane Shape
I6	A30	HS_PCIE16_IF_TX_RAID_RX_1_P	A30	I2	G11	B30	HS_PCIE16_IF_TX_RAID_RX_6_P	B30	G7
J6	A31	HS_PCIE16_IF_TX_RAID_RX_1_N	A31	J2	H11	B31	HS_PCIE16_IF_TX_RAID_RX_6_N	B31	H7
Plane Shape	A32	GND	A32	Plane Shape	Plane Shape	B32	GND	B32	Plane Shape
G7	A33	HS_PCIE16_IF_TX_RAID_RX_2_P	A33	G3	I12	B33	HS_PCIE16_IF_TX_RAID_RX_7_P	B33	I8
H7	A34	HS_PCIE16_IF_TX_RAID_RX_2_N	A34	H3	J12	B34	HS_PCIE16_IF_TX_RAID_RX_7_N	B34	J8
Plane Shape	A35	SE_GND	A35	Plane Shape	Plane Shape	B35	SE_GND	B35	Plane Shape
Plane Shape	A36	SE_3V3	A36	Plane Shape	Plane Shape	B36	SE_12V0	B36	Plane Shape
Plane Shape	A37	SE_GND	A37	Plane Shape	Plane Shape	B37	SE_12V0	B37	Plane Shape
C3	A38	LS_IF_RAID_BIFURCATE_N	A38	A18	Plane Shape	B38	SE_GND	B38	Plane Shape
I8	A39	HS_PCIE16_IF_TX_RAID_RX_3_P	A39	I4	Test Point	B39	DIFF_RSRVD	B39	Test Point
J8	A40	HS_PCIE16_IF_TX_RAID_RX_3_N	A40	J4	Test Point	B40	DIFF_RSRVD	B40	Test Point

- NOTE:
 1. SEE PAGE 3 FOR "PLANE SHAPE".
 2. "A1", "A2" OF "TwinAx"... MEAN WIRES OF CABLE "A"
 3. "B1", "B2" OF "TwinAx"... MEAN WIRES OF CABLE "B"

PIN ASSIGNMENT

dr	Kenny Tai	2013/06/19	projection 	mm 	size	A4	scale	1:1
eng	Ya Li	2014/03/05			ecn no	ELX-N-17093-1		
chr	-	-			rel level	Released		
appr	Delhy Liu	2014/03/05	product family	-		rev	D	
	title	PADDLE CARDS ASSEMBLY			dwg no	10125737		
www.fci.com	cat. no.	10125737	Product - Customer Drw		sheet 2 of 4			

RAID MegArray		Mezz MegArray	
I1	SE_12V0 Plane Shape	I19	
I2		I20	
J1		J18	
J2		J19	
J3	SE_3V3 Plane Shape	J20	
A1		A19	
A2	GND Plane Shape	A20	
A4, A6, A8, A10, A12, A14, A16, A18, A20, B4, B6, B8, B10, B12, B14, B16, B18, B20		A2, A4, A6, A8, A10, A12, A14, A16, B2, B4, B6, B8, B10, B12, B14, B16, C1, C3, C5, C7, C9, C11, C13, C15, C17	
C5, C7, C9, C11, C13, C15, C17, C19, D5, D7, D9, D11, D13, D15, D17, D19, E2-E20		D1, D3, D5, D7, D9, D11, D13, D15, D17, E1-E19, F1-F16, F18, F19	
F2, F5-F20		G2, G4, G6, G8, G10, G12, G14, G16, H2, H4, H6, H8, H10, H12, H14, H16, I1, I3, I5, I7, I9, I11, I13, I15, J1, J3, J5, J7, J9, J11, J13, J15	
G4, G6, G8, G10, G12, G14, G16, G18, G20, H6, H8, H10, H12, H14, H16, H18, H20, I5, I7, I9, I11, I13, I15, I17, I19, J5, J7, J9, J11, J13, J15, J17, J19			
Same as GND		Same as GND	
J4		Floating pins	J17

PLANE SHAPE

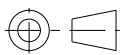
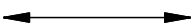

dr	Kenny Tai	2013/06/19	projection 	mm 	size	A4	scale	1:1	
eng	Ya Li	2014/03/05			ecn no	ELX-N-17093-1			
chr	-	-			rel level	Released			
appr	Delhy Liu	2014/03/05	product family	-		rev	D		
		title			PADDLE CARDS ASSEMBLY		dwg no		10125737
www.fci.com		cat. no.			10125737		Product - Customer Drw		sheet 3 of 4

NOTE:

1. The electrical requirements, at the assembly level, as follows: (0-2ns is test vehicle)
 - 1.1 Differential Impedance: 100ps (20-80%)
 - RAID P1 Side 14mm stack height.
 - 2.0 to 2.6 ns 80 to 130 ohms
 - 2.6 to 4.0 ns 70 to 115 ohms
 - Interface P2 Side 4mm stack height.
 - 2.0 to 2.5 ns 75 to 120 ohms
 - 2.5 to 4.0 ns 70 to 115 ohms
 - 1.2 Single-end Impedance 100ps (20-80%)
 - RAID P1 Side 14mm stack height - AVE Single Ended Impedance not to exceed .
 - 2.0 to 2.6 ns 45 to 85 ohms
 - 2.6 to 4.0 ns 45 to 65 ohms
 - Interface P2 Side 4mm stack height - AVE Ended Impedance not to exceed .
 - 2.0 to 2.5 ns 45 to 70 ohms
 - 2.5 to 4.0 ns 45 to 65 ohms
 - 1.3 Differential Insertion loss of finished assembly without test board loss
 - 4.3 dB @ 1.5GHz
 - 7.6 dB @ 3 GHz
 - 15.4 dB @ 5 GHz
 - 30 dB @ 8 GHz
 - 41 dB @ 10 GHz
 - 1.4 Maximum paddle card thickness = 50 mils
 - 1.5 Maximum paddle card via stub length = 15 mils
 - 1.6 Raw Twinax conductors must be 32 Gauge
 - 1.7 There must be no fewer than four (4) discrete GND "sideband" wire connections within the raw 3M twinax cable
 - 1.8 All sidebands must be tied to a common GND plane at each paddle card.
2. Package specification: GS-14-2352
3. Pin to Pin Resistance not allow to exceed 2 ohms - HiPot test: 300V dc - 2 Mega-ohms - 10ms .
4. The detail of the label: IBM P/N: 00DJ000; IBM EC NUMBER: H48590F; FCI Location: FCT NT CHINA; Series Number: YYMMDDXXX.



Copyright FCI.

dr	Kenny Tai	2013/06/19	projection 	mm 	size	A4	scale	1:10	
eng	Ya Li	2014/03/05			ecn no	ELX-N-17093-1			
chr	-	-			rel level	Released			
appr	Delhy Liu	2014/03/05	product family		-				
		title			PADDLE CARDS ASSEMBLY		dwg no	10125737	
					MEG-ARRAY CABLE ASSEMBLY			rev	D
www.fci.com		cat. no.		-			Product - Customer Drw		sheet 4 of 4