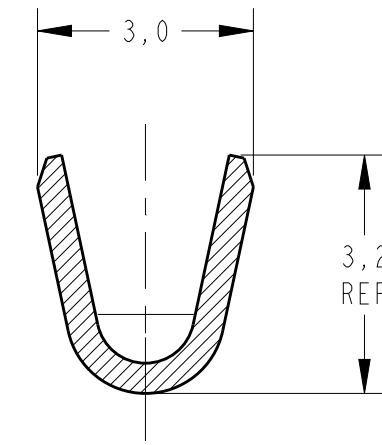
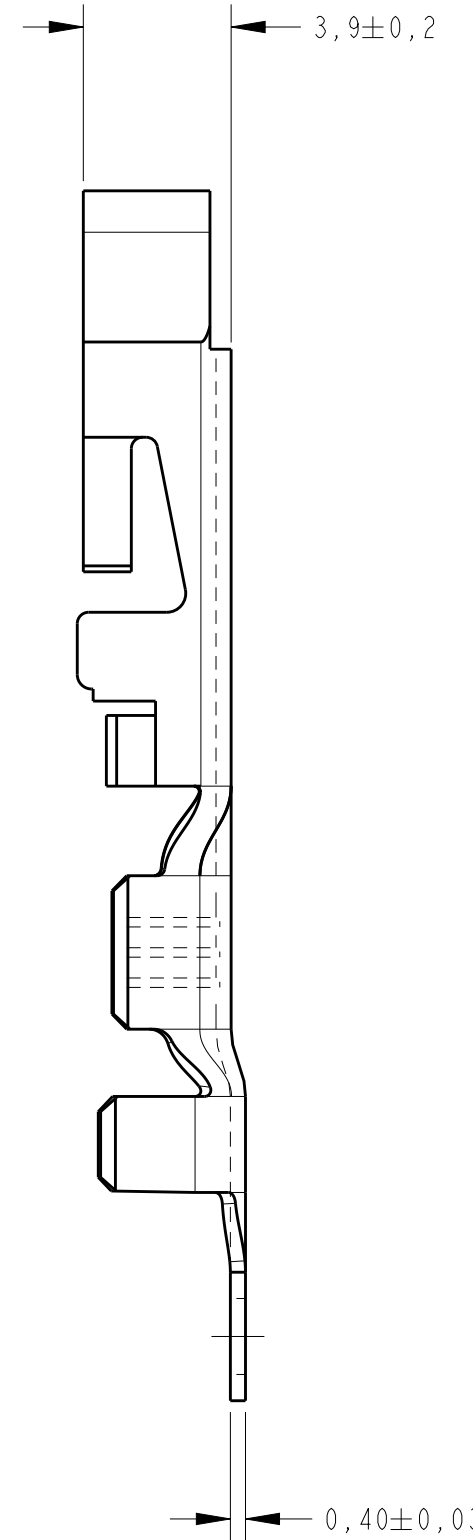
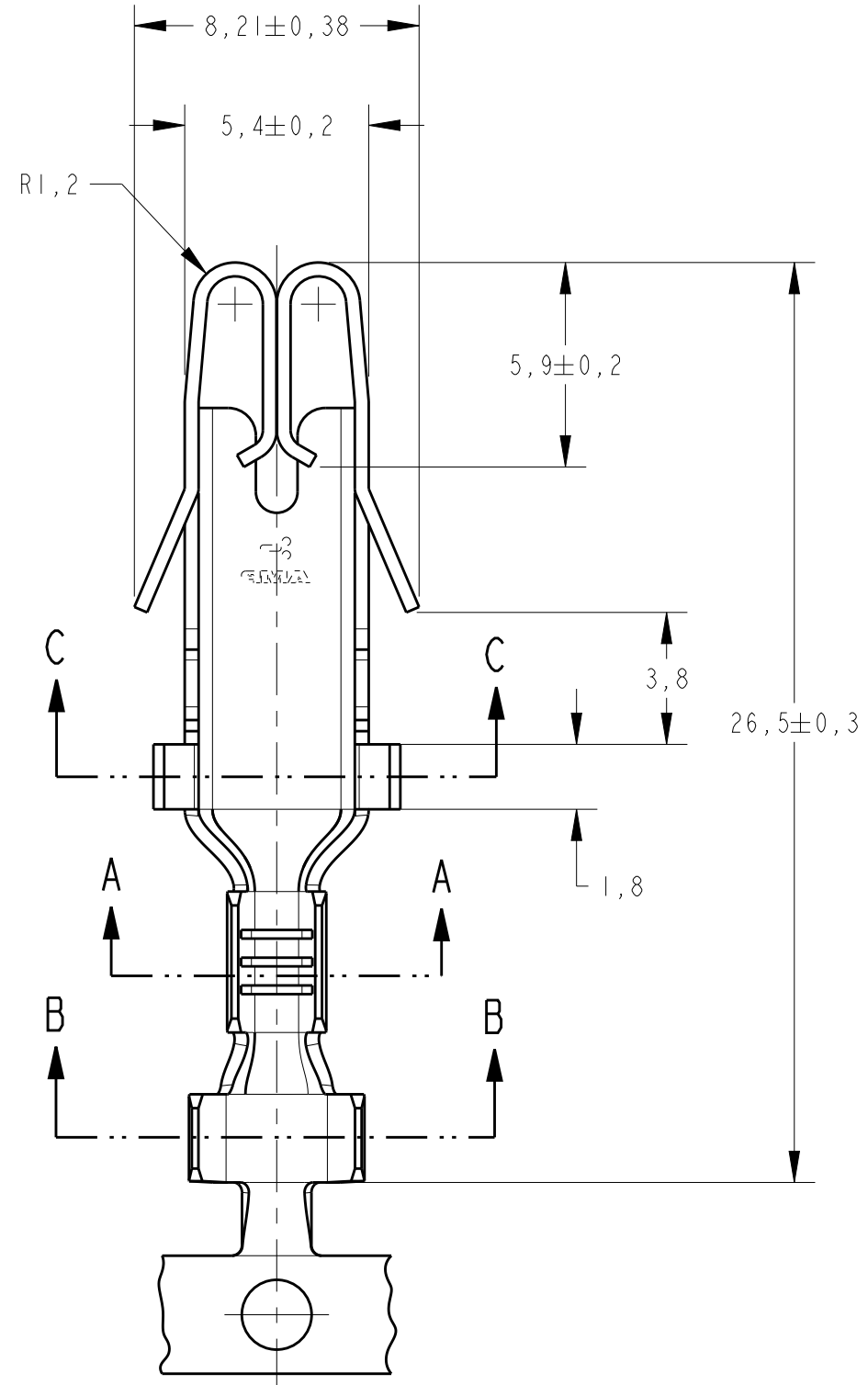


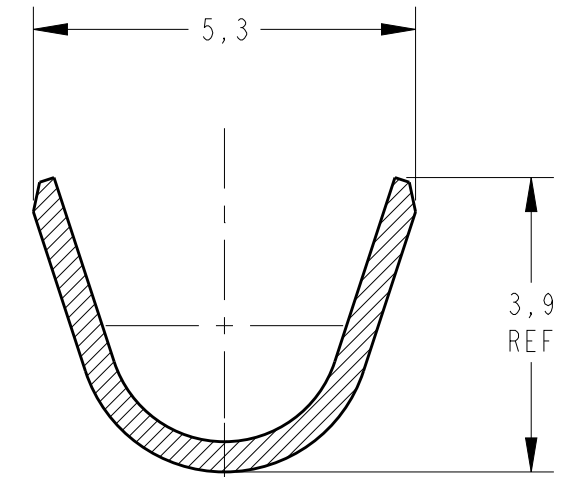
THIS DRAWING IS UNPUBLISHED. RELEASED FOR PUBLICATION 20  
 © COPYRIGHT 20 BY - ALL RIGHTS RESERVED.

**creo**  
 Creo Parametric 2.0  
**DO NOT REVISE  
 EXCEPT BY CAD**

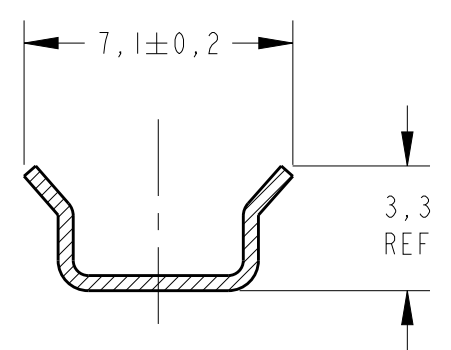
REVISIONS					
P	LTR	DESCRIPTION	DATE	DWN	APVD
	M	REDRAW BY CAD ECO-14-013531	05SEP2014	NCL	LWP



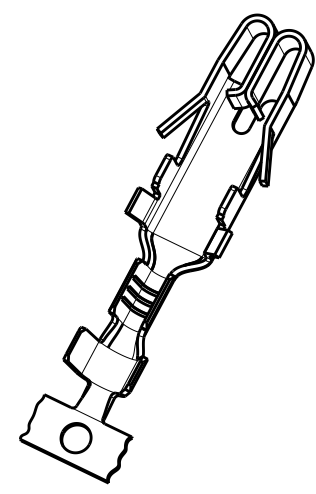
SECTION A-A  
 SCALE 10:1



SECTION B-B  
 SCALE 10:1



SECTION C-C



PERSPECTIVE VIEW  
 SCALE 2:1

WIRE RANGE  
 0,5-1,5mm<sup>2</sup>  
 INSUL. RANGE  
 Ø2,0-3,0mm

<b>OBSOLETE</b>	PRE-ESTANHADO / PRE TINNED	LATÃO / BRASS	880397-2
		LATÃO / BRASS	880397-1
	FINISH	MATERIAL	PART NUMBER

THIS DRAWING IS A CONTROLLED DOCUMENT.		DWN NCLAPRESA 08SEP2014	TE Connectivity <b>FUSE CONTACT</b>			
DIMENSIONS: mm		CHK ECHRISTIANO 08SEP2014				
TOLERANCES UNLESS OTHERWISE SPECIFIED:		APVD LWPRADO 08SEP2014				
0 PLC ± 1 PLC ±0,5 2 PLC ± 3 PLC ± 4 PLC ± ANGLES ±° FINISH		NAME				
MATERIAL SEE TABLE		PRODUCT SPEC	SIZE	CAGE CODE	DRAWING NO	RESTRICTED TO
		APPLICATION SPEC	A2	00779	880397	
		WEIGHT	Customer Drawing		SCALE 2:1	SHEET 5:1 OF 1
					REV M	