

THIS DRAWING IS UNPUBLISHED.

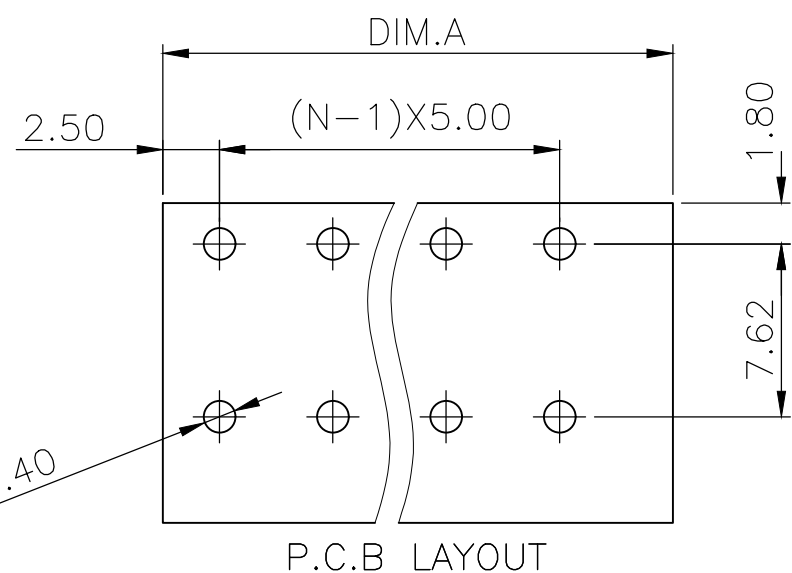
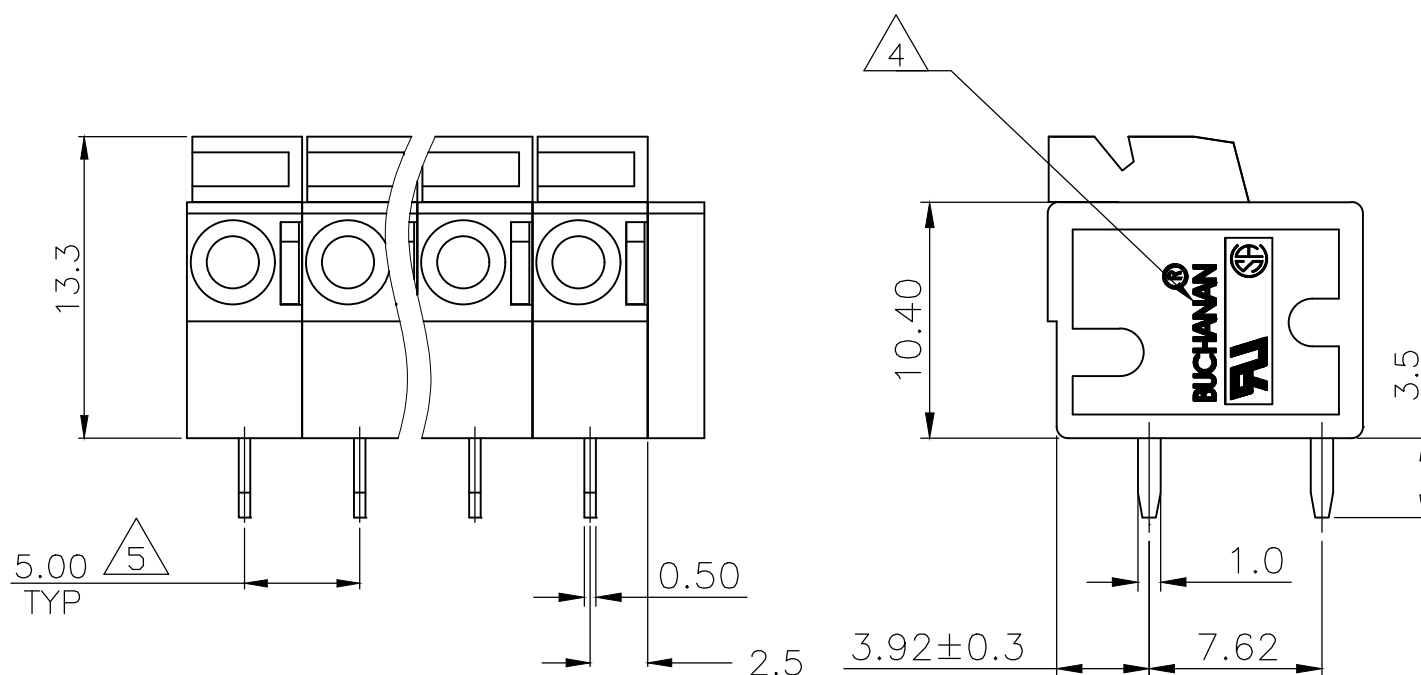
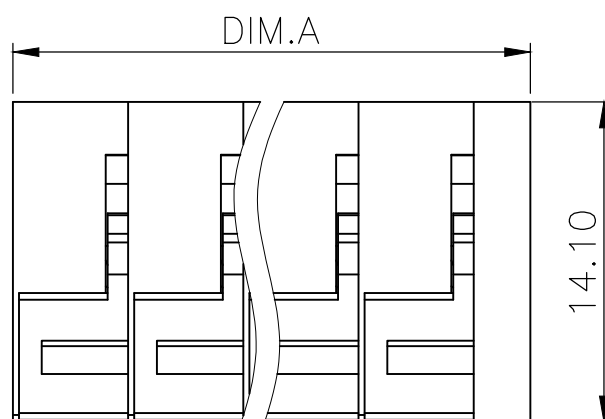
RELEASED FOR PUBLICATION

REVISIONS

© COPYRIGHT - TE Connectivity Ltd.

ALL RIGHTS RESERVED.

P	LTR	DESCRIPTION	DATE	DWN	APVD
	R	DESIGN IMPROVEMENT	22JUL2019	RK	PS



N=NUMBER OF CONTACTS

62.50	12	1-1776261-2
57.50	11	1-1776261-1
52.50	10	1-1776261-0
47.50	9	1776261-9
42.50	8	1776261-8
37.50	7	1776261-7
32.50	6	1776261-6
27.50	5	1776261-5
22.50	4	1776261-4
17.50	3	1776261-3
12.50	2	1776261-2
DIM. A	NO. OF POS.	PART NUMBER

THIS DRAWING IS A CONTROLLED DOCUMENT.		DWN	S SCHLEGEL	5/6/05	STE TE Connectivity Ltd.		
DIMENSIONS: mm		CHK	C RICHARD	5/6/05			
TOLERANCES UNLESS OTHERWISE SPECIFIED:		APVD	C RICHARD	5/6/05	NAME		
0 PLC ± -		PRODUCT SPEC			TERMINAL BLOCK, BOARD MT. SCREWLESS		
1 PLC ± 0.3		APPLICATION SPEC			SIDE WIRE ENTRY, 5.0mm PITCH		
2 PLC ± 0.2		WEIGHT			SIZE	CAGE CODE	DRAWING NO
3 PLC ± -		MATERIAL			A3	00779	C-1776261
4 PLC ± -		FINISH			RESTRICTED TO		
ANGLES ± -		CUSTOMER DRAWING			SCALE	SHEET	REV
MATERIAL		CUSTOMER DRAWING			NTS	1 OF 2	R




THIS DRAWING IS UNPUBLISHED. RELEASED FOR PUBLICATION
 © COPYRIGHT - TE Connectivity Ltd. ALL RIGHTS RESERVED.


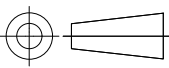
REVISIONS					
P	LTR	DESCRIPTION	DATE	DWN	APVD
	-	SEE SHEET 1	-	-	-

- MATERIAL:**
 HOUSING: POLYAMIDE, UL94V-0, GREEN.
 CONTACT: COPPER ALLOY, TIN PLATED.
 WIRE GUARD: STAINLESS STEEL.
- ELECTRICAL:**
 MAX. CURRENT RATING: 10 A.
 CONTACT RESISTANCE: 20mΩ MAX.
 INSULATION RESISTANCE: 500MΩ/500VAC.
 DIELECTRIC WITHSTANDING VOLTAGE: 2000VAC MIN.
 OPERATING VOLTAGE: 300VAC.
 WIRE RANGE: 14-22AWG.
- MECHANICAL:**
 WIRE RETENTION FORCE: 1.2 KG (MIN).
 OPERATING TEMPERATURE: -55°C TO +105°C.

APPLICATION AND FEATURES:

- THIS SCREWLESS TERMINALS ARE SUITABLE FOR BOTH SOLID AND STRANDED CONDUCTORS.
- A SPRING MADE OF STAINLESS STEEL GUARANTEES FOR PERMANENT AND SAFE CONTACT.
- THIS IS OPERATED BY PUSHING A SCREW DRIVER ON THE LEVER. THIS LEVER IS FULLLY INTEGRATED INTO THE BODY.

-  BUCHANAN LOGO, UL & CSA LOGO'S LOCATED APPROX. AS SHOWN. TEXT MUST BE LEGIBLE.
-  NON CUMULATIVE
-  OBSOLETE

THIS DRAWING IS A CONTROLLED DOCUMENT.		DWN S SCHLEGEL	5/6/05	 TE Connectivity Ltd.					
DIMENSIONS: mm		CHK C RICHARD	5/6/05						
		APVD C RICHARD	5/6/05	NAME TERMINAL BLOCK, BOARD MT. SCREWLESS, SIDE WIRE ENTRY, 5.0mm PITCH					
TOLERANCES UNLESS OTHERWISE SPECIFIED:		PRODUCT SPEC		APPLICATION SPEC					
0 PLC ± - 1 PLC ± 0.3 2 PLC ± 0.25 3 PLC ± - 4 PLC ± - ANGLES ± -		WEIGHT		SIZE	CAGE CODE	DRAWING NO	RESTRICTED TO		
MATERIAL		FINISH		A3 00779		C=1776261	-		
CUSTOMER DRAWING				SCALE	NTS	SHEET	2 OF 2	REV	R