

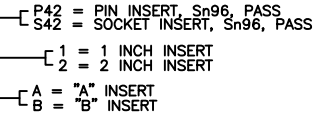
THIS DRAWING AND THE INFORMATION SET FORTH HERE-ON ARE THE PROPERTY OF TYCO ELECTRONICS AND ARE TO BE HELD IN TRUST AND CONFIDENCE. PUBLICATION, DUPLICATION, DISCLOSURE, OR USE FOR ANY PURPOSE NOT EXPRESSLY AUTHORIZED IN WRITING BY TYCO ELECTRONICS IS PROHIBITED.

REVISIONS			
LTR	DESCRIPTION	DATE	APPROVED
B	REVISED PER ECN T-20519	96/1/30	M.HIGGY
B1	ADMINISTRATIVE CHANGE PER ECO-11-024448	Dec/6/2011	M.HIGGY

NOTES:

1. PART NUMBER VARIABLE:

MTC50-EXX-XXX



2. THE APPLICABLE RAYCHEM SPECIFICATION FOR THIS PART IS C6111. THIS PART IS QUALIFIED TO C6111.

3. MATERIAL:

- A. SEALING BOOT: TRANSPARENT BLUE HEAT SHRINKABLE, RADIATION CROSS-LINKED PVDF.
- B. CABLE & INSERT SEALS: MODIFIED THERMOPLASTIC HOT MELT SEALANT.
- C. INSERT BODY: HIGH GRADE POLYARYLENE THERMOPLASTIC OR EQUIVALENT.
- D. PIN/SOCKET CONTACTS: COPPER ALLOY C17200 PER ASTM B194.
- E. PRE-ASSEMBLED SolderSleeves®: SEE RAYCHEM SPECIFICATION CONTROL DRAWING D-141-0169.

4. FINISH:

- A. PIN/SOCKET INSERT: AS MOLDED
- B. PIN/SOCKET CONTACTS: (ENGAGING END): GOLD PLATED PER MIL-G-45204, TYPE 1, GRADE C, CLASS 1 OVER SUITABLE UNDERPLATE. (TERMINATION END): SOLDER COATED PER QQ-S-571, Sn96, FLUX COATED PER QQ-S-571, TYPE RMA.

△ POSITION IS MARKED IN CONTRASTING COLOR.

6. DIELECTRIC WITHSTANDING VOLTAGE:

TEST CONDITION (MATED)	TEST VOLTAGE VAC RMS AT 60 Hz.
SEA LEVEL	750
ALTITUDE 70,000 FT. (33.5 TORR) AMBIENT TEMP.	500
ALTITUDE 80,000 FT. (20.6 TORR) -50°C TEMP.	375

7. CURRENT RATING: 2.0 AMPS PER CONTACT.

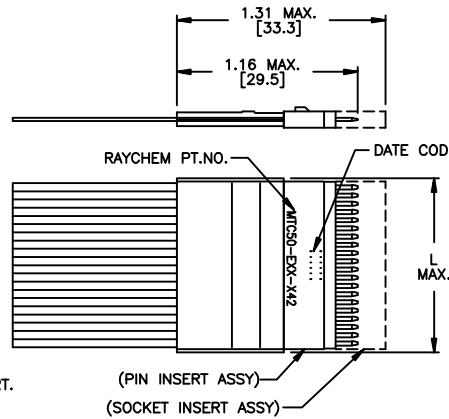
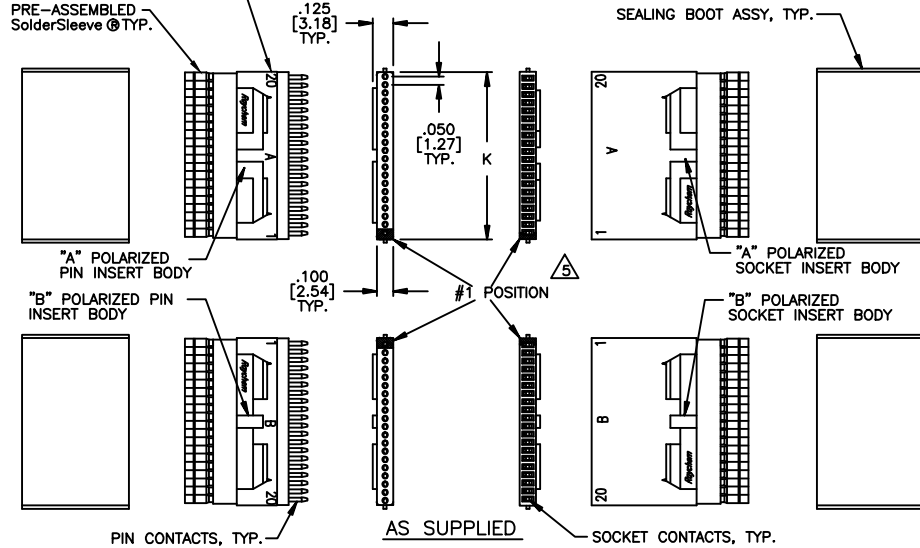
8. USABLE WIRE SIZE:

FLAT CONDUCTOR CABLE: 28 AWG

△ CONSULT FACTORY FOR RAYCHEM ENGINEERING STANDARD FOR TERMINATION METHOD.

10. THE CORRECT MATING PART FOR A RAYCHEM MTC50 PIN INSERT IS A RAYCHEM MTC50 SOCKET INSERT. THE SPECIFIED PERFORMANCE OF THIS CONNECTOR IS BASED ON TEST PERFORMANCE WHEN ASSEMBLED WITH THE CORRECT MATING PART.

#20 IS SHOWN FOR 1" INSERT.
#40 IS SHOWN FOR 2" INSERT, TYP.



△ AFTER BOOT ASSY & TERMINATION

DESCRIPTION	1" INSERT	2" INSERT
K	1.035 [26.29]	2.035 [51.69]
L	1.140 [28.96]	2.140 [54.36]
WEIGHT (MAXIMUM)	.0074 LBS. [3.357 gm]	.0147 LBS. [6.668 gm]

© 2011 Tyco Electronics. All rights reserved

Raychem MTC CUSTOMER DRAWING

UNLESS OTHERWISE SPECIFIED DIMENSIONS ARE IN INCHES. METRIC DIMENSIONS ARE IN BRACKETS. DECIMALS .XXX ± .005 [.13 mm] .XX ± .03 [.8 mm] ANGLES .X ± WEIGHT lbs [g]	DRAWN	MGHOBSON	90NOV29		
	CHECKED				
	APPROVED	AKN	90DEC11		
	APPROVED	EZ	90DEC11		
CAD NAME	MTC50-EXX-P42/S42			TITLE	INSERT, PASS TERMINATION, Sn96, 125 CELSIUS DEGREE OPERATING TEMPERATURE, FLAT CABLE CONDUCTOR, 28 AWG, MTC50 SERIES
THIRD ANGLE PROJECTION	SIZE	CAGE CODE:	DWG. NO.	REV	
	C	06090	MTC50-EXX-P42/S42	B1	
	SCALE: NONE				SHEET 1 OF 1

If this document is printed it becomes uncontrolled. Check for the latest revision