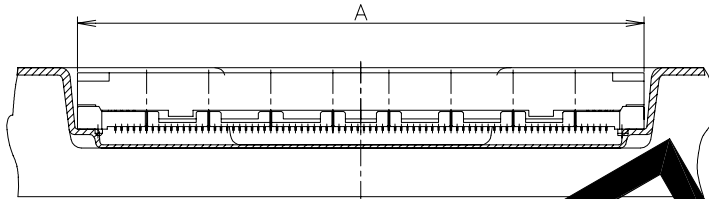


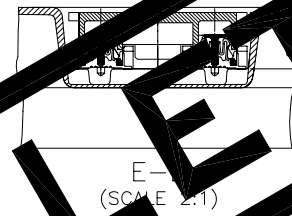
REVISIONS				DATE	DWN	APVD
P	LTR	DESCRIPTION	变更			
B		OBSOLETE (ECO-20-016729)		02MAR2021	A.L	H.L

AS SHOWN: TYPE-1

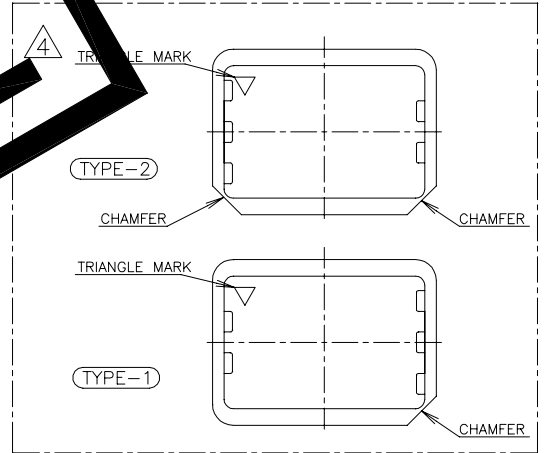


D-D (SCALE 2:1)

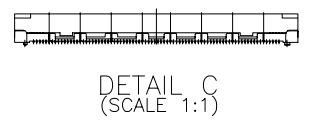
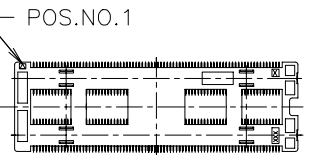
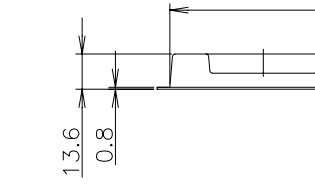
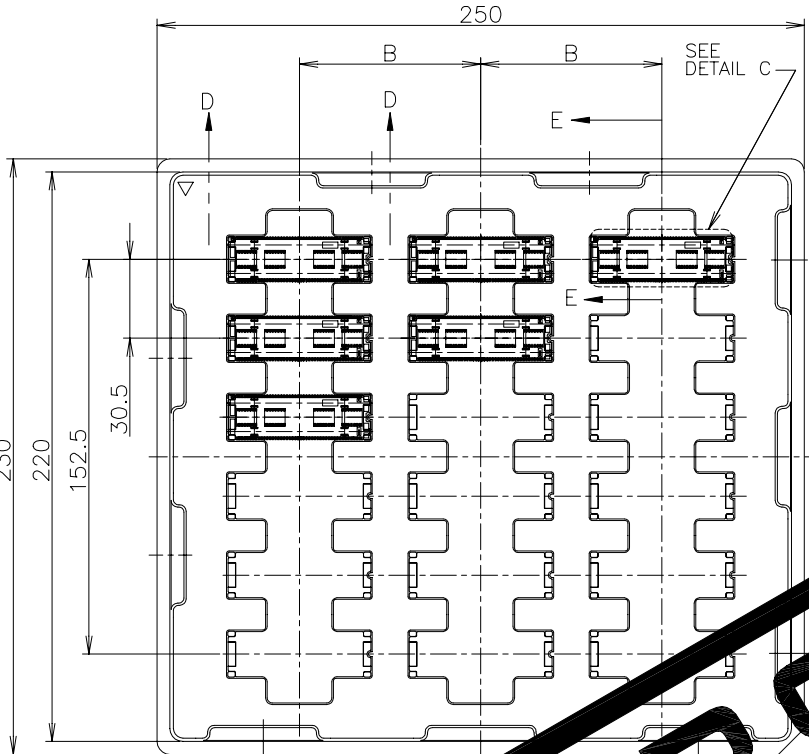
△ TRAY TYPE-1 AND TYPE-2 MUST BE PILED UP BY TURNS. (REFER TO PACKING SPECIFICATIONS)



E-E (SCALE 2:1)



OBSOLETE



DETAIL C (SCALE 1:1)

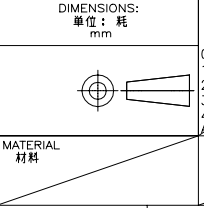
SEALANT	TOOLING STATUS	ROW	QTY	B	A	POS.	TRAY P/N	PART NO.
↑	AVAILABLE	3	18	70	54.7	320	5-912069-4	6-6318157-1
↓	NOT AVAILABLE	↑	↑	↑	48.7	280	5- ↑ -3	6- ↑ -0
↓	NOT AVAILABLE	↓	↓	↓	42.7	240	5- -2	5- -9
↓	NOT AVAILABLE	3	18	70	36.7	200	5- -1	5- -8
↓	NOT AVAILABLE	3	18	70	54.7	320	5- -4	1- -1
↓	NOT AVAILABLE	↑	↑	↑	48.7	280	5- -3	1- -0
↓	NOT AVAILABLE	↓	↓	↓	42.7	240	5- -2	-9
↓	NOT AVAILABLE	3	18	70	36.7	200	5-912069-1	6318157-8

THIS DRAWING IS A CONTROLLED DOCUMENT.

DWN	HAWKING HE	13DEC04	TE Connectivity Ltd.
CHK	STEVEN YAO	13DEC04	
APVD	I.ENOMOTO	13DEC04	NAME
PRODUCT SPEC	108-60047		SOFT TRAY ASSY
APPLICATION SPEC	114-5255		FH 0.6BTB CONNECTOR
取付適用規格			REC 4H W/G-CONT 2ROW TYPE
WEIGHT			SIZE
			A3
			CAGE CODE
			00779
			DRAWING NO
			G=6318157
			RESTRICTED TO
CUSTOMER DRAWING			SCALE
			1:2
			SHEET
			1 OF 6
			REV
			B

GENERAL TOLERANCE
一般公差

10 ≥ ±0.2
30 ≥ >10: ±0.25
100 ≥ >30: ±0.3
ANGLES: ±3°



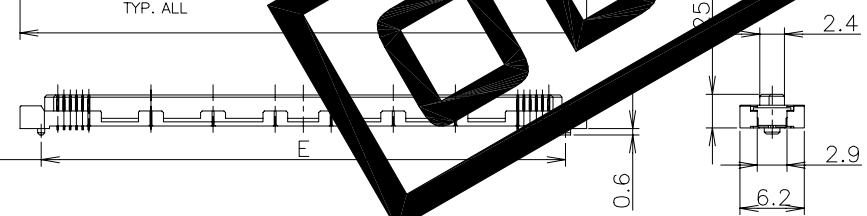
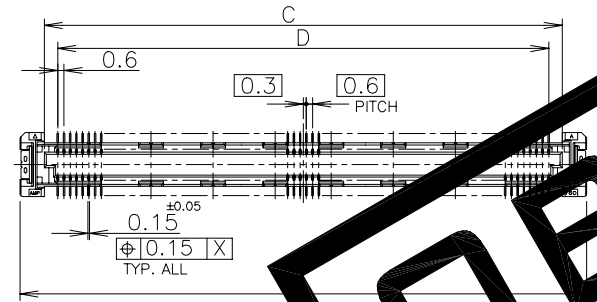
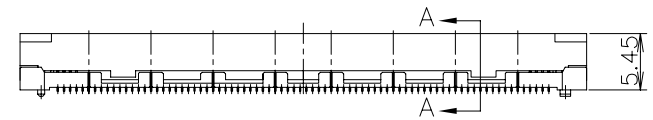
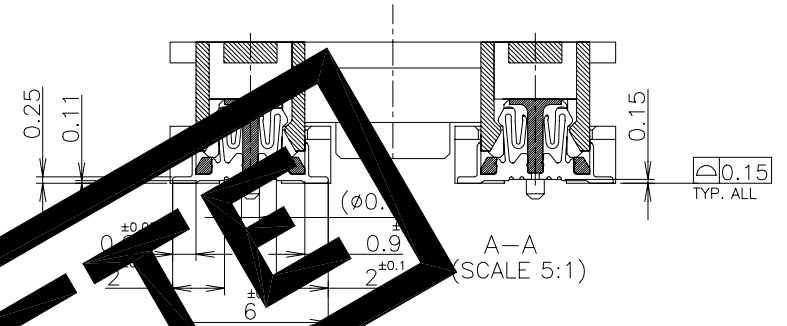
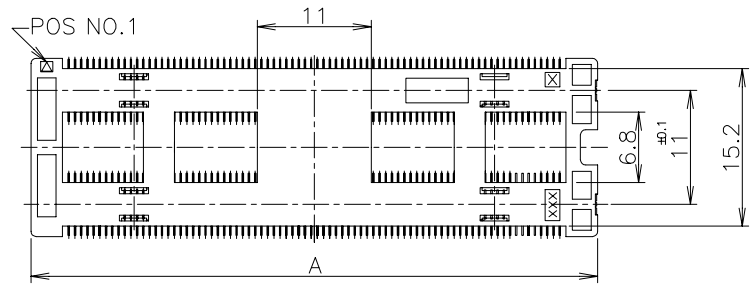
TOLERANCES UNLESS OTHERWISE SPECIFIED:
一般公差

0 PLC ± -
1 PLC ± -
2 PLC ± -
3 PLC ± -
4 PLC ± -
ANGLES ± -

MATERIAL
材料

REVISIONS

P	LTR	DESCRIPTION	DATE	DWN	APVD
-	-	SEE SHEET 1	-	-	-



OBSOLETE

- ① MATERIAL ; ① HOUSING : HIGH TEMP THERMO PLASTIC
UL94V-0 (COLOR : NATURAL)
- ② CONTACT : COPPER ALLOY
- ③ CAP HOUSING : HIGH TEMP THERMO PLASTIC
UL94V-0 (COLOR : BLACK)
- ② FINISH ; UNDER PL Ni 0.0013mm MIN ALL OVER.
CONTACT AREA 0.0002 MIN Au PL.
SOLDERING AREA
SIGNAL POS: 0.00005 MIN Au PL.
GROUND POS: 0.001 MIN TIN PL.
- ③ THIS POSITION IS GROUND CIRCUIT.

AVAILABLE	51.8	50.6	47.4	50	54.7	54.7	320	1-	-1
NOT AVAILABLE	45.8	44.6	41.4	44	48.7	48.7	280	1-	-0
NOT AVAILABLE	39.8	38.6	35.4	38	42.7	42.7	240		-9
NOT AVAILABLE	33.8	32.6	29.4	32	36.7	36.7	200		1318159-8
TOOLING STATUS	F	E	D	C	B	A	POS	CAP	P/N

THIS DRAWING IS A CONTROLLED DOCUMENT.

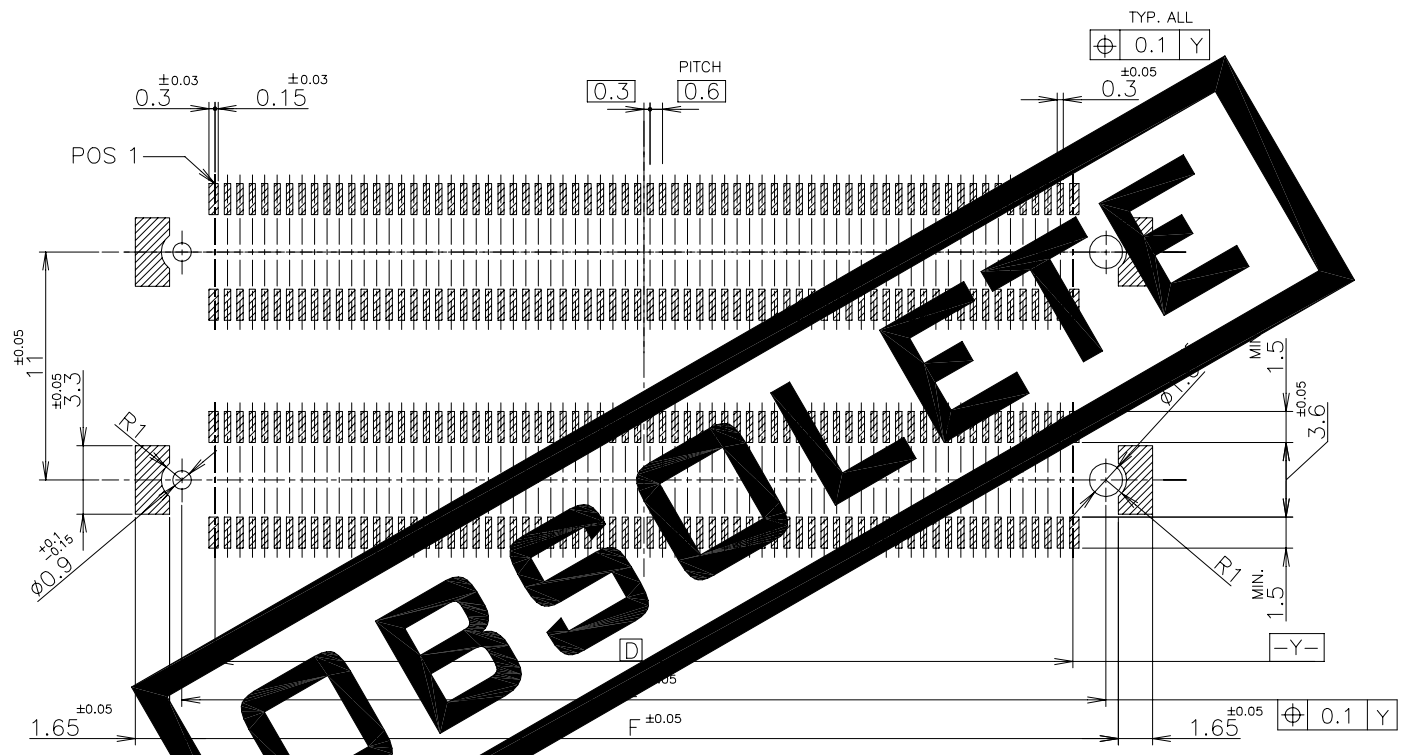
DIMENSIONS: 单位: 耗 mm	TOLERANCES UNLESS OTHERWISE SPECIFIED: 一般公差
0 PLC	± -
1 PLC	± -
2 PLC	± -
3 PLC	± -
4 PLC	± -
ANGLES	± -
FINISH 仕上	

GENERAL TOLERANCE
一般公差

10 ≥ ±0.2
30 ≥ >10: ±0.25
100 ≥ >30: ±0.3
ANGLES: ±3°

DWN	TE TE Connectivity Ltd.	
CHK		
APVD	NAME 名称	
PRODUCT SPEC 製品规格	SOFT TRAY ASSY FH 0.6BTB CONNECTOR REC 4H W/G-CONT 2ROW TYPE	
APPLICATION SPEC 取付適用规格	SIZE A3	CAGE CODE 00779
WEIGHT	DRAWING NO 番号 G=6318157	RESTRICTED TO
CUSTOMER DRAWING	SCALE 尺度 2:1	SHEET 2 OF 6
		REV B

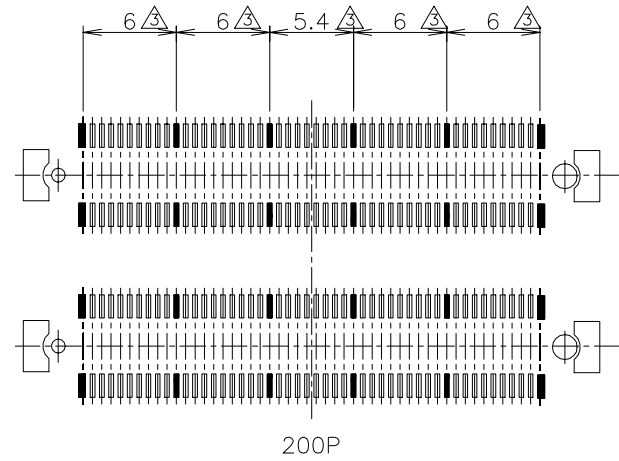
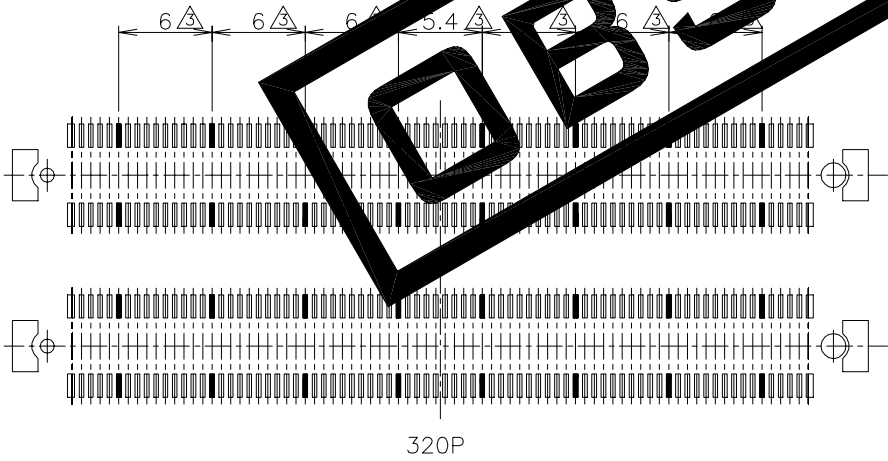
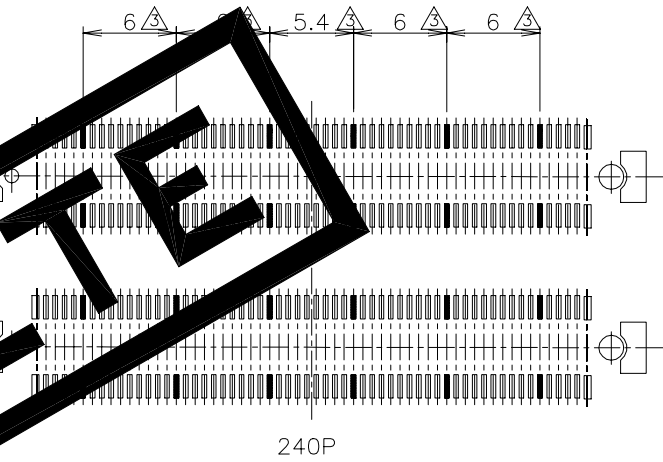
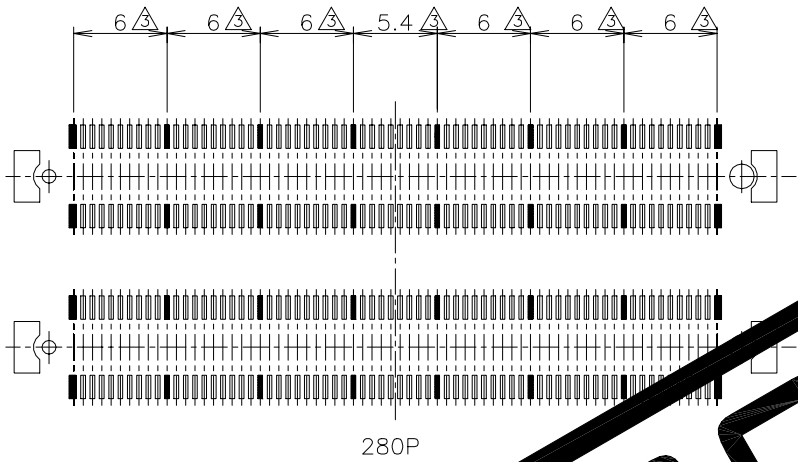
REVISIONS				
P	LTR	DESCRIPTION	DATE	APVD
-	-	SEE SHEET 1	-	-



REFERENCE P.C.BOARD LAYOUT

THIS DRAWING IS A CONTROLLED DOCUMENT.		DWN	TE Connectivity Ltd.	
DIMENSIONS: 单位: 耗 mm		CHK		
TOLERANCES UNLESS OTHERWISE SPECIFIED: 一般公差		APVD	NAME 名称	
0 PLC ± - 1 PLC ± - 2 PLC ± - 3 PLC ± - 4 PLC ± - ANGLES ± -		PRODUCT SPEC 製品规格	SOFT TRAY ASSY	
MATERIAL 材料		APPLICATION SPEC 取付適用规格	FH 0.6BTB CONNECTOR	
FINISH 仕上		WEIGHT	REC 4H W/G-CONT 2ROW TYPE	
GENERAL TOLERANCE 一般公差		CUSTOMER DRAWING	SIZE A3	RESTRICTED TO
10 ≥: ±0.2 30 ≥: >10: ±0.25 100 ≥: >30: ±0.3 ANGLES: ±3°			CAGE CODE 00779	DRAWING NO 番号 G=6318157
			SCALE 尺度 4:1	SHEET 3 OF 6
				REV B

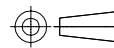
REVISIONS				
変更				
P	LTR	DESCRIPTION	DATE	DWN
-	-	SEE SHEET 1	-	-



OBSOLETE

THIS DRAWING IS A CONTROLLED DOCUMENT.

DIMENSIONS:
單位: 耗
mm



MATERIAL
材料

TOLERANCES UNLESS
OTHERWISE SPECIFIED:
一般公差

- 0 PLC ± -
- 1 PLC ± -
- 2 PLC ± -
- 3 PLC ± -
- 4 PLC ± -
- ANGLES ± -

FINISH
仕上

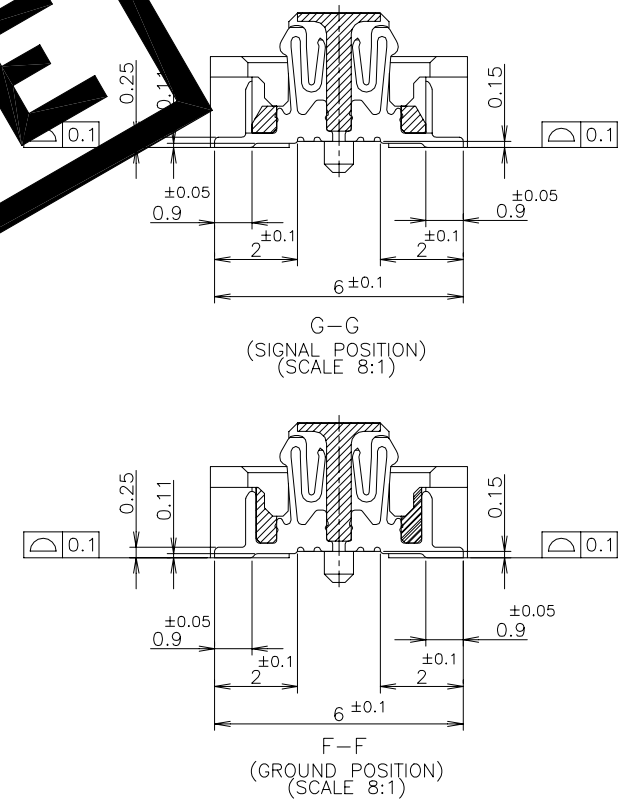
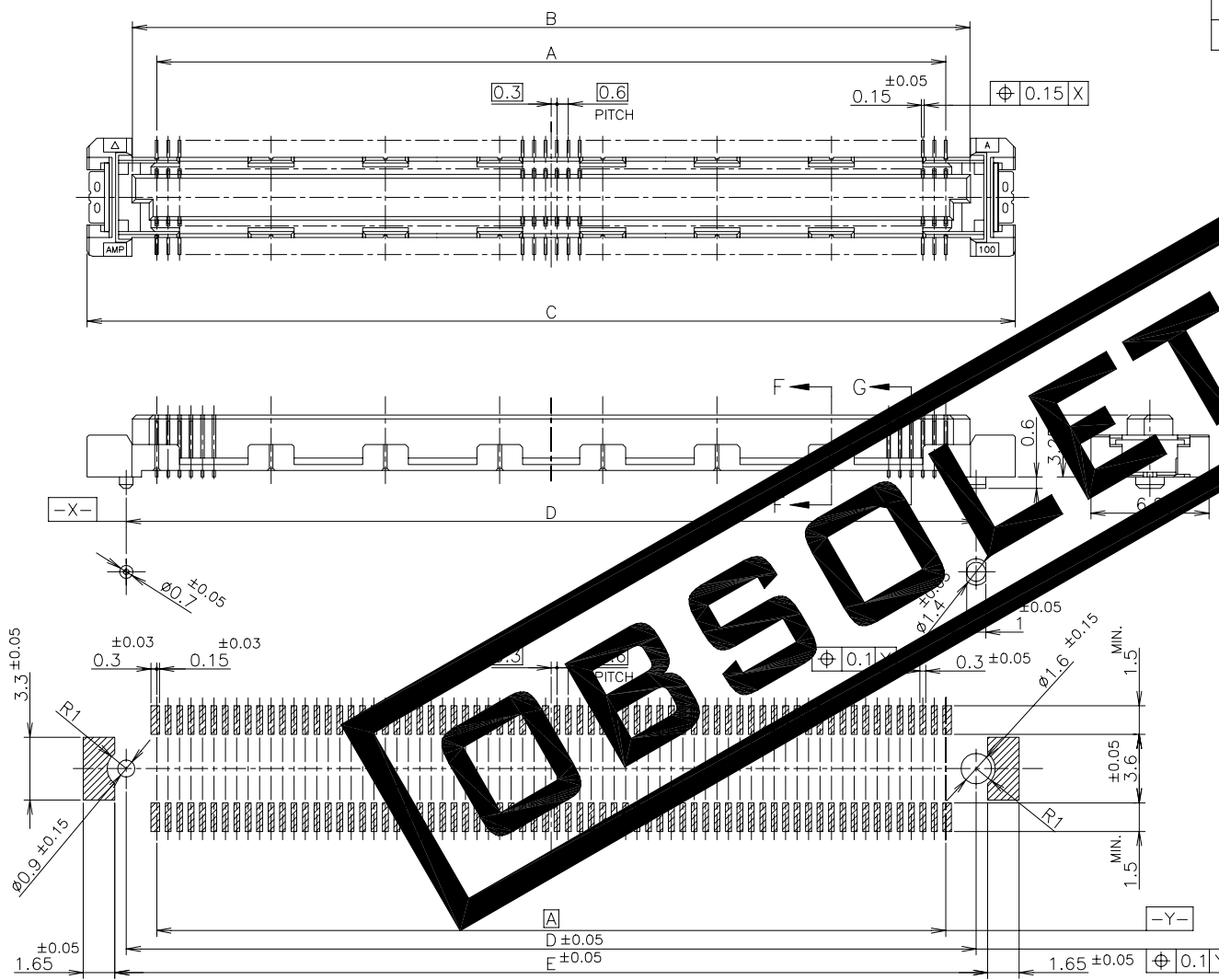
DWN
CHK
APVD
PRODUCT SPEC 製品規格
APPLICATION SPEC 取付適用規格
WEIGHT

TE TE Connectivity Ltd.			
SOFT TRAY ASSY FH 0.6BTB CONNECTOR REC 4H W/G-CONT 2ROW TYPE			
NAME 名称	SIZE A3	CAGE CODE 00779	DRAWING NO 番号 G=6318157
CUSTOMER DRAWING			RESTRICTED TO

GENERAL TOLERANCE 一般公差	10 ≥: ±0.2
	30 ≥: >10: ±0.25
	100 ≥: >30: ±0.3
	ANGLES: ±3°

SCALE 尺度	3:1	SHEET 4 OF 6	REV B
-------------	-----	-----------------	----------

REVISIONS					
変更					
P	LTR	DESCRIPTION	DATE	DWN	APVD
-	-	SEE SHEET 1	-	-	-



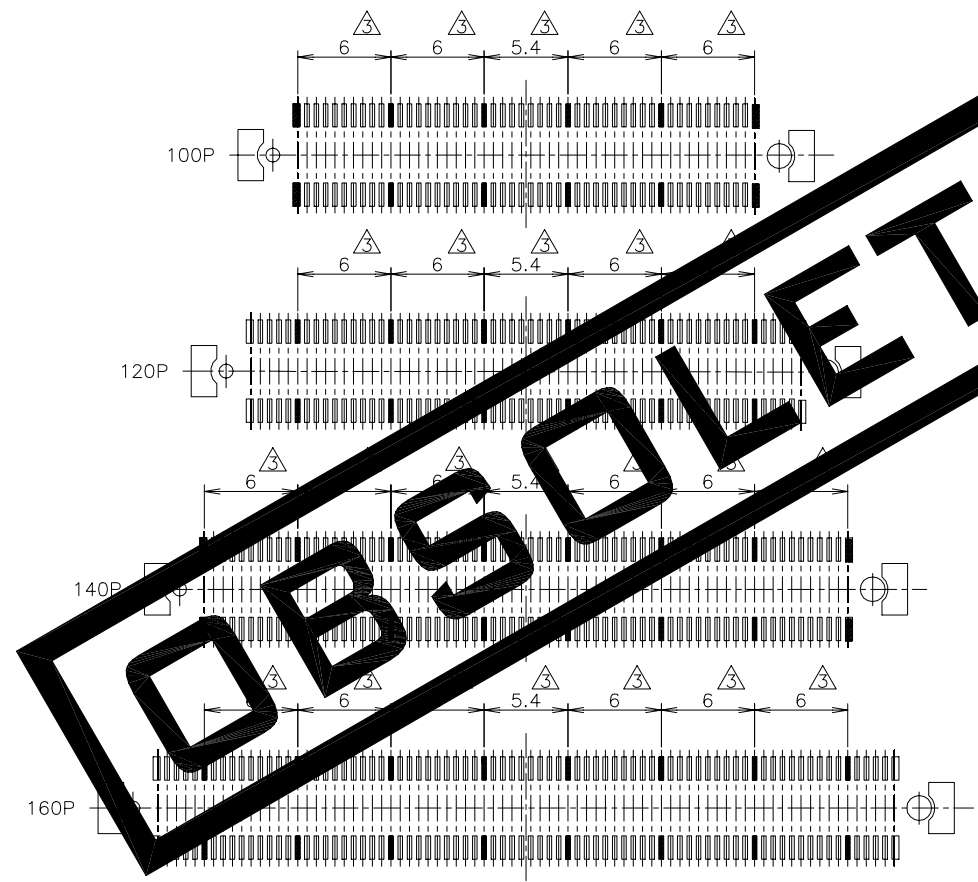
REFERENCE P.C.BOARD LAYOUT

OBSOLETE

AVAILABLE	51.8	50.6	54.7	50	47.4	160
AVAILABLE	45.8	44.6	48.7	44	41.4	140
NOT AVAILABLE	39.8	38.6	42.7	38	35.4	120
AVAILABLE	33.8	32.6	36.7	32	29.4	100
TOOLING STATUS	E	D	C	B	A	POS

THIS DRAWING IS A CONTROLLED DOCUMENT.		DWN	TE Connectivity Ltd.		
DIMENSIONS: 單位: 耗 mm		CHK			
TOLERANCES UNLESS OTHERWISE SPECIFIED: 一般公差		APVD	NAME 名称		
0 PLC ± 0.3 1 PLC ± 0.3 2 PLC ± 0.3 3 PLC ± 0.3 4 PLC ± 0.3 ANGLES ± 3°		PRODUCT SPEC 製品規格	SOFT TRAY ASSY		
MATERIAL 材料		APPLICATION SPEC 取付適用規格	FH 0.6BTB CONNECTOR		
FINISH 仕上		WEIGHT	REC 4H W/G-CONT 2ROW TYPE		
① ②		CUSTOMER DRAWING	SIZE A3	CAGE CODE 00779	DRAWING NO. 番号 G=6318157
			SCALE 尺度 4:1	SHEET 5 OF 6	REV B

REVISIONS				
P	LTR	DESCRIPTION	DATE	APVD
-		SEE SHEET 1	-	-



THIS DRAWING IS A CONTROLLED DOCUMENT.		DWN	TE Connectivity Ltd.	
DIMENSIONS: 单位: 耗 mm		CHK		
TOLERANCES UNLESS OTHERWISE SPECIFIED: 一般公差		APVD	SOFT TRAY ASSY	
0 PLC ± 0.3 1 PLC ± 0.3 2 PLC ± 0.3 3 PLC ± 0.3 4 PLC ± 0.3 ANGLES ± 3°		PRODUCT SPEC 製品规格	FH 0.6BTB CONNECTOR	
MATERIAL 材料		APPLICATION SPEC 取付適用规格	REC 4H W/G-CONT 2ROW TYPE	
FINISH 仕上		WEIGHT	SIZE A3	RESTRICTED TO
		CUSTOMER DRAWING	CAGE CODE 00779	DRAWING NO G=6318157
			SCALE 尺度 3:1	SHEET 6 OF 6
				REV B