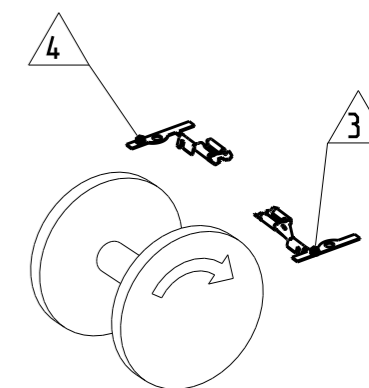
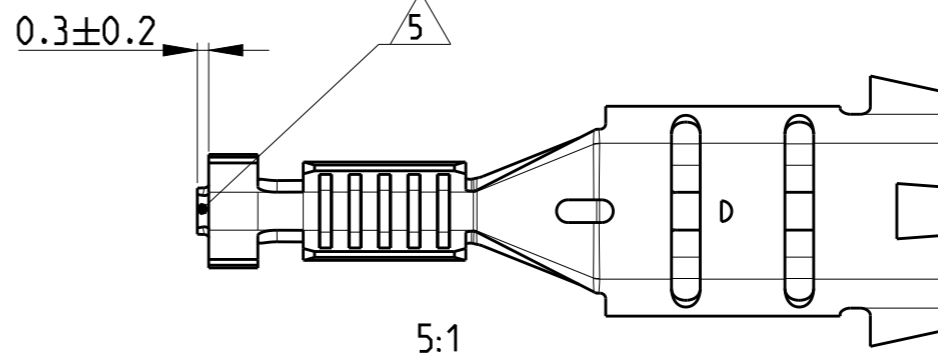
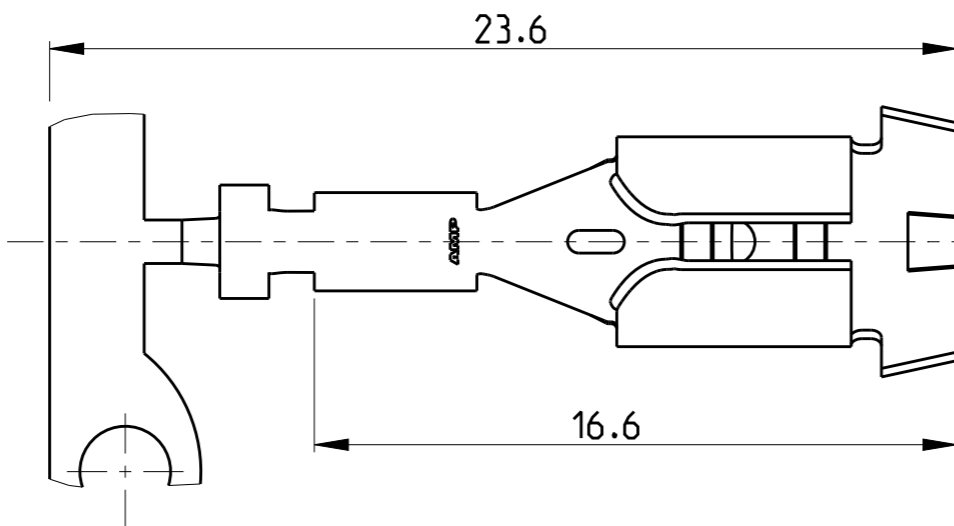
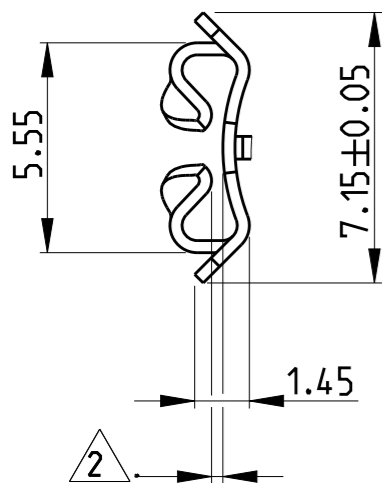


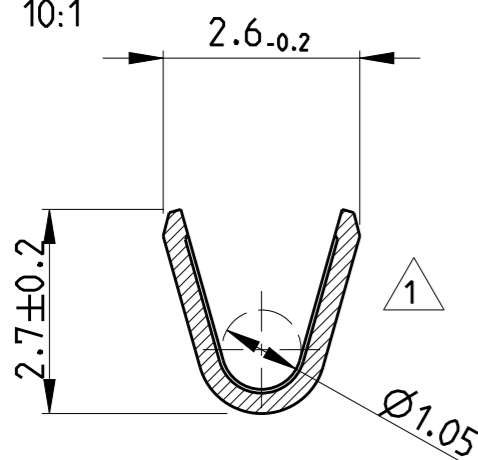
REVISIONS

P	LTR	DESCRIPTION	DATE	DWN	APVD
E2		REVISE PER ECR-14-000835. ADD PLATING PN	24FEB2014	GRZ	JL
E3		REVISE PER ECR-15-009300	19JUN15	GRZ	JL

(Simplified Representation)  
(Vereinfachte Darstellung)

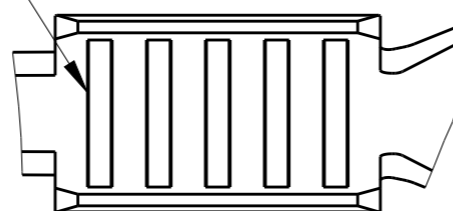


SECTION A-A  
Schnitt  
10:1



CENTRE OF CONNECTOR TONGUE  
Mitte Steckzunge

5 SERRATIONS



REMARKS  
Bemerkungen

- △6 PRELIMINARY - NOT FOR PRODUCTION
- △5 WITH PREFIX (2-), LOOSE PIECE (BULK PACKAGING) IN CORRUGATED SHIPPING BOX  
Mit Vorstrichzahl (2-), loses Teil (Schuettgut) in Faltschachtel
- △4 UNREELING DIRECTION: TRANSPORTING STRIP TO FACE THE REAR CRIMPING SLEEVE FACING BOTTOM, RECEPT. FACING TOP  
Abspultichtung: Transportstreifen hinten  
Oeffnung Crimphuelse nach unten, Recept. oben liegend
- △3 UNREELING DIRECTION: TRANSPORTING STRIP TO FACE THE FRONT CRIMPING SLEEVE FACING BOTTOM, RECEPT. FACING TOP  
Abspultichtung: Transportstreifen vorne  
Oeffnung Crimphuelse nach unten, Recept. oben liegend
- △2 FOR CONNECTOR TONGUE 4.8x0.5; SIMILAR TO DIN 46244  
Fuer Steckzunge 4.8x0.5; aehnlich DIN 46244
- △1 SUITABLE FOR: Cu LACQUERED WIRE Ø0.45 ... 1.32 (2L)  
Geeignet fuer: Cu Lackdraht Ø0.45 ... 1.32 (2L)

THIS DRAWING IS A CONTROLLED DOCUMENT.

DWN	Rudolph	18.01.96
CHK	Plöe	18.01.96
APVD	-	-



NAME		STATOR-TERMINAL SERIES 4.8 (AMPLIVAR)	
SIZE	CAGE CODE	DRAWING NO	RESTRICTED TO
A3	00779	C-969049	-
CUSTOMER DRAWING		SCALE	SHEET 1 OF 1
		5:1	REV E3

DIMENSIONS:	TOLERANCES UNLESS OTHERWISE SPECIFIED:
mm	±0.2
	0 PLC ±0.2
	1 PLC ±0.2
	2 PLC ±0.2
	3 PLC ±0.2
	4 PLC ±0.2
	ANGLES ±1°
MATERIAL	FINISH
-	-

6	PART NO. Bestell-Nr.	MATERIAL Werkstoff	FINISH Oberfläche	DESCRIPTION Benennung Einzelteil
△6	969049-2	CuSn6, TEMP 4	TIN OVER NI	STATOR TERMINAL, 4.8
△5	2-969049-1	CuSn6, TEMP 4	BLANK	STATOR TERMINAL, 4.8
△4	969049-1	CuSn6, TEMP 4	BLANK	STATOR TERMINAL, 4.8
△3	1-969049-1	CuSn6, TEMP 4	BLANK	STATOR TERMINAL, 4.8