

This drawing involves proprietary design rights of Tyco Electronics Corporation, and all design, manufacture, reproduction, use and sale rights regarding the same are expressly reserved. It is submitted for a specific purpose and the recipient by accepting this drawing, assumes custody and control and agrees to take reasonable precautions; (a) that this drawing will not be copied and reproduced, in whole or in part, or its contents revealed in any manner, or to any person except to meet the purpose for which it was delivered and (b) that any special features peculiar to this design will not be incorporated in other projects without the expressed written permission of Tyco Electronics Corporation.

REVISIONS			
EC	REV	DESCRIPTION	DATE
CPR	A	NEW RELEASE	2/23/06

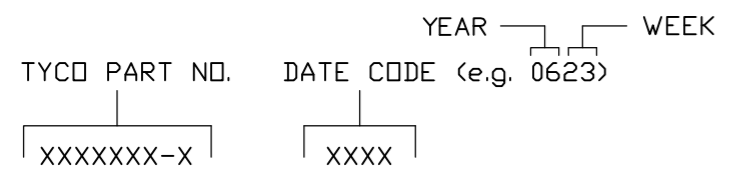
6. MODULE INFORMATION

CONNECTOR	TYCO PART NUMBER	CATALOG MODULE #	QTY	SIZE NO.	CONTACT QTY	MATING PIN	MAX. CURRENT (PER CONTACT)	CONTACT SPACING	VOLTAGE RATING*
SOCKET	6646692-1	FP0105	10	8	10	1.25 X 7.00 [.049 X .276]	45 AMPERES	7.50 [2953]	250 VOLTS
		FP0106	1		1				
		FP0303	1	22	24	.64 [.025] SQ.	3 AMPERES	2.50 [.0984]	125 VOLTS
		FP0500	1	LEFT MOUNTING FLANGE					
		FP0501	1	RIGHT MOUNTING FLANGE					

*IAW IEC-950

NOTES: UNLESS OTHERWISE SPECIFIED.

- PART NUMBER CHANGES AND OR DESIGN CHANGES AFFECTING ITEM INTERCHANGEABILITY REQUIRE PRIOR ELCON APPROVAL AND AUTHORIZATION BY REVISION TO THIS DRAWING.
- MATERIALS:
 - INSULATORS: THERMOPLASTIC, GLASS REINFORCED, COLOR BLACK. UL94V-0 FLAMMABILITY RATED.
 - SOLDER SIGNAL PIN: BRASS ALLOY.
 - POWER CONTACTS: PHOSPHOR BRONZE ALLOY, COPPER ALLOY.
 - CROWN BANDS: COPPER ALLOY.
- FINISHES:
 - CONTACTS: GOLD PLATE .000030" MIN. THK, OVER NICKEL .000040" MIN. THICKNESS.
 - TERMINALS: TIN PLATE, MATTE FINISH 000100" MIN. THICKNESS OVER NICKEL .000040" MIN THK
- △ MOUNTING FLANGES ACCEPT M3 OR #4 SCREWS, (USER SUPPLIED).
- ITEMS PROVIDED TO THIS SPECIFICATION TO BE PERMANENTLY IDENTIFIED PER THE FOLLOWING IDENTIFIER:



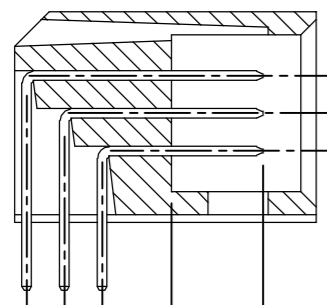
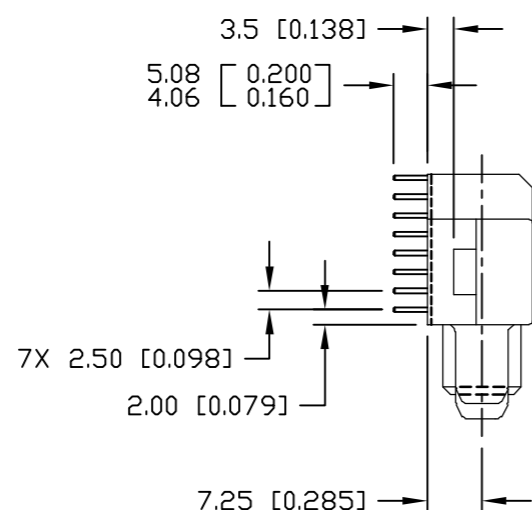
TYCO PART NUMBER
6646692-1

<p>THIRD ANGLE PROJECTION</p> <p>UNLESS OTHERWISE SPECIFIED DIMENSIONS ARE IN METRIC [INCHES]</p> <p>TOLERANCES</p> <p>ANGLES ± .5°</p> <p>DECIMALS</p> <p>.XX ± .25 [.010]</p> <p>.X ± .5 [.020]</p>	<p>← MM OR MM [INCH]</p> <p>INCH</p>	<p>DRAWN R. F. A.</p> <p>CHECKED</p> <p>APPROVED</p> <p>APPROVED D. CHAU</p> <p>DCA APPROVED</p> <p>ACAD FILE NUMBER</p>	<p>DATE 2/23/06</p> <p>2/23/06</p>	<p>tyco Tyco Electronics Corporation Electronics Menlo Park, Ca 94025</p> <p>ELCON</p> <p>TITLE</p> <p>SOCKET CONNECTOR, FLATPAQ RIGHT ANGLE, SOLDER TAILS</p>	<p>SIZE B</p> <p>DWG NUMBER C = 6646692</p>	<p>REV. A</p>
	<p>MM</p>		<p>DATE 2/23/06</p>		<p>SIZE B</p>	
	<p>INCH</p>		<p>DATE 2/23/06</p>		<p>SIZE B</p>	
	<p>INCH</p>		<p>DATE 2/23/06</p>		<p>SIZE B</p>	
<p>ACAD FILE NUMBER C6646692A.DWG</p>			<p>DWG SCALE 1=1</p>		<p>SH 1 OF 3</p>	

This drawing involves proprietary design rights of Tyco Electronics Corporation, and all design, manufacture, reproduction, use and sale rights regarding the same are expressly reserved. It is submitted for a specific purpose and the recipient by accepting this drawing, assumes custody and control and agrees to take reasonable precautions; (a) that this drawing will not be copied and reproduced, in whole or in part, or its contents revealed in any manner, or to any person except to meet the purpose for which it was delivered and (b) that any special features peculiar to this design will not be incorporated in other projects without the expressed written permission of Tyco Electronics Corporation.

REVISIONS

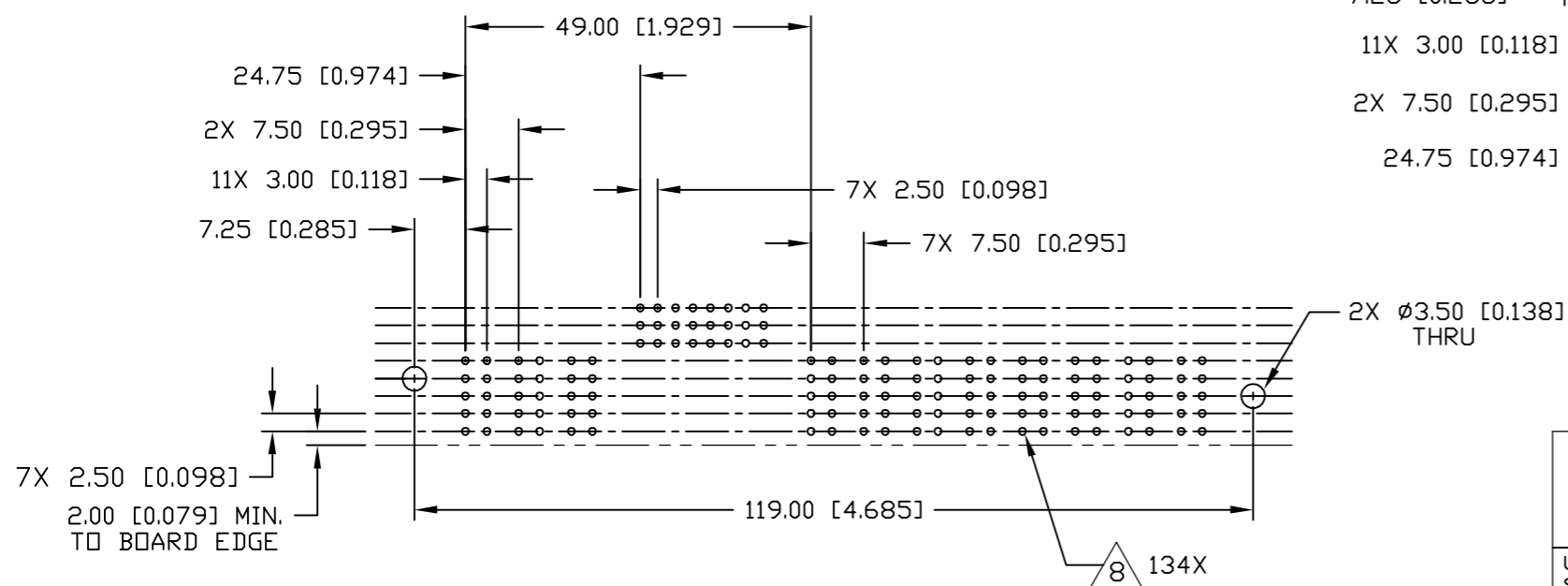
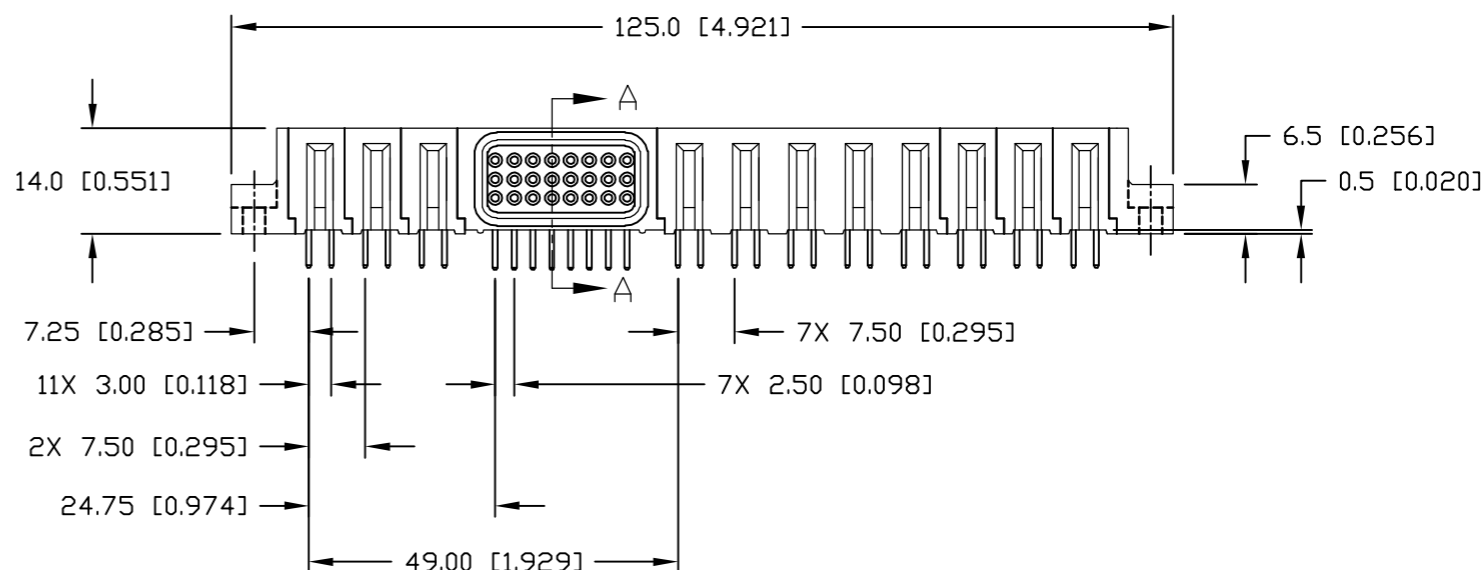
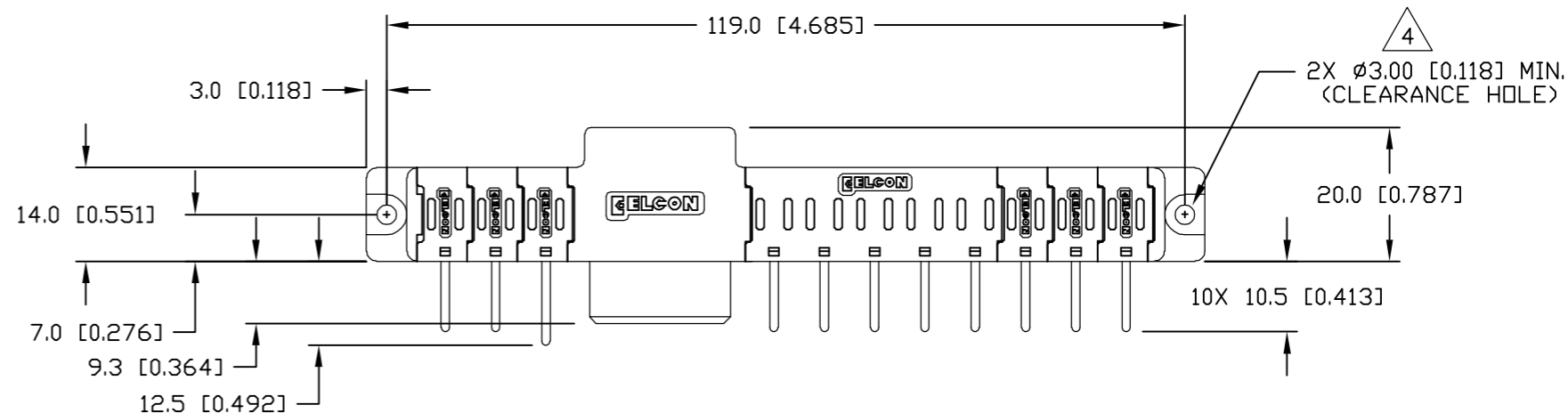
EC	REV	DESCRIPTION	DATE
		SEE SHEET 1	



24 6.1 [0.240]

SECTION A-A

GENDER CHANGER NOT SHOWN FOR CLARITY

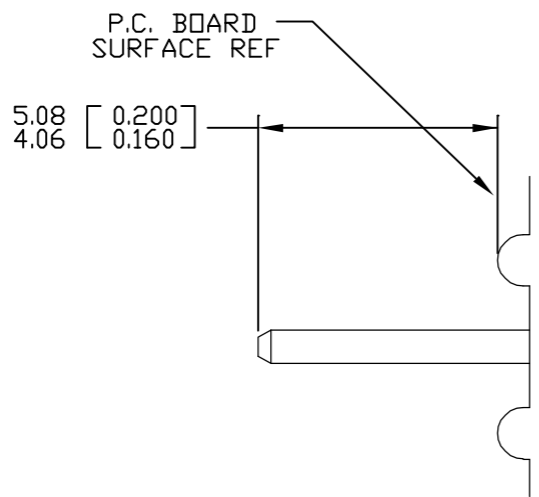


PRINTED CIRCUIT LAYOUT

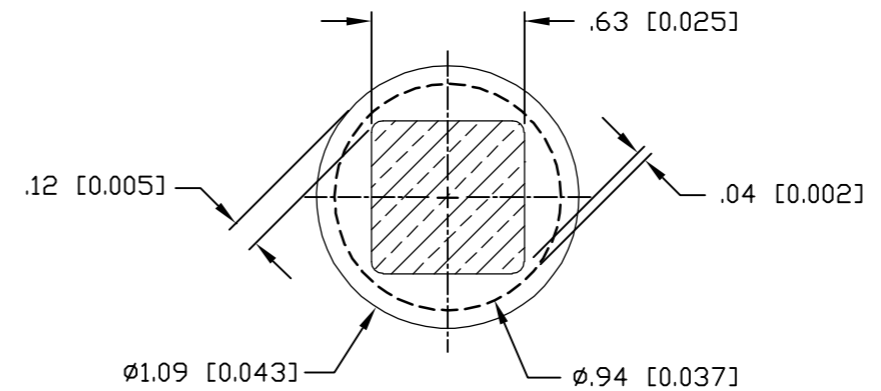
← MM OR MM [INCH] INCH THIRD ANGLE PROJECTION UNLESS OTHERWISE SPECIFIED DIMENSIONS ARE IN METRIC [INCHES] TOLERANCES ANGLES ± .5° DECIMALS .XX ± .25 [0.010] .X ± .5 [0.020]	DRAWN R. F. A.	DATE 2/23/06	Tyco Electronics Corporation Menlo Park, Ca 94025		
	CHECKED	APPROVED APPROVED D. CHAU DCA APPROVED	2/23/06	TITLE SOCKET CONNECTOR, FLATPAQ RIGHT ANGLE, SOLDER TAILS	
ACAD FILE NUMBER	C6646692A.DWG		SIZE B	DWG NUMBER C = 6646692	REV. A
			DWG SCALE 1=1	SH 2 OF 3	

This drawing involves proprietary design rights of Tyco Electronics Corporation, and all design, manufacture, reproduction, use and sale rights regarding the same are expressly reserved. It is submitted for a specific purpose and the recipient by accepting this drawing, assumes custody and control and agrees to take reasonable precautions; (a) that this drawing will not be copied and reproduced, in whole or in part, or its contents revealed in any manner, or to any person except to meet the purpose for which it was delivered and (b) that any special features peculiar to this design will not be incorporated in other projects without the expressed written permission of Tyco Electronics Corporation.

REVISIONS			
EC	REV	DESCRIPTION	DATE
		SEE SHEET 1	

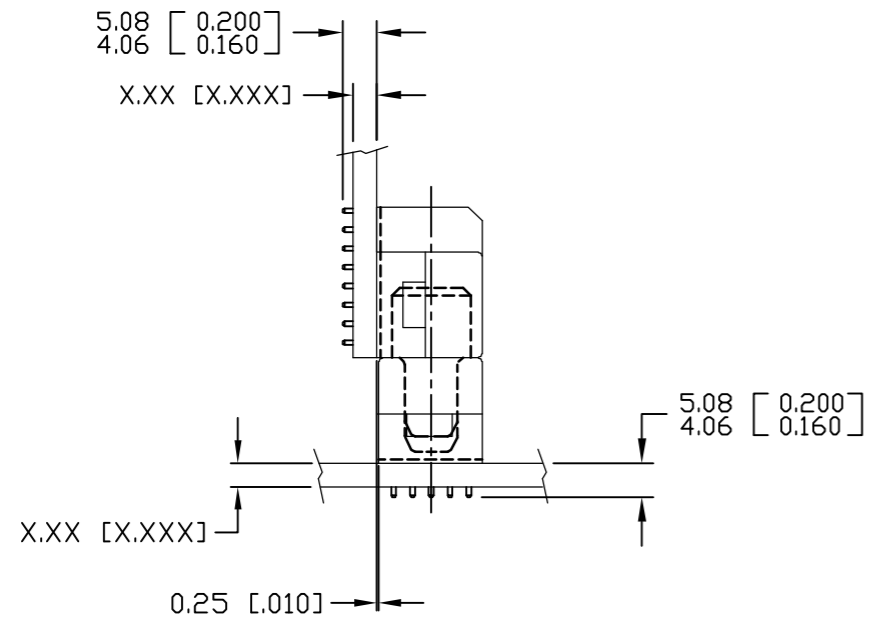


7. SOLDER PIN DETAIL

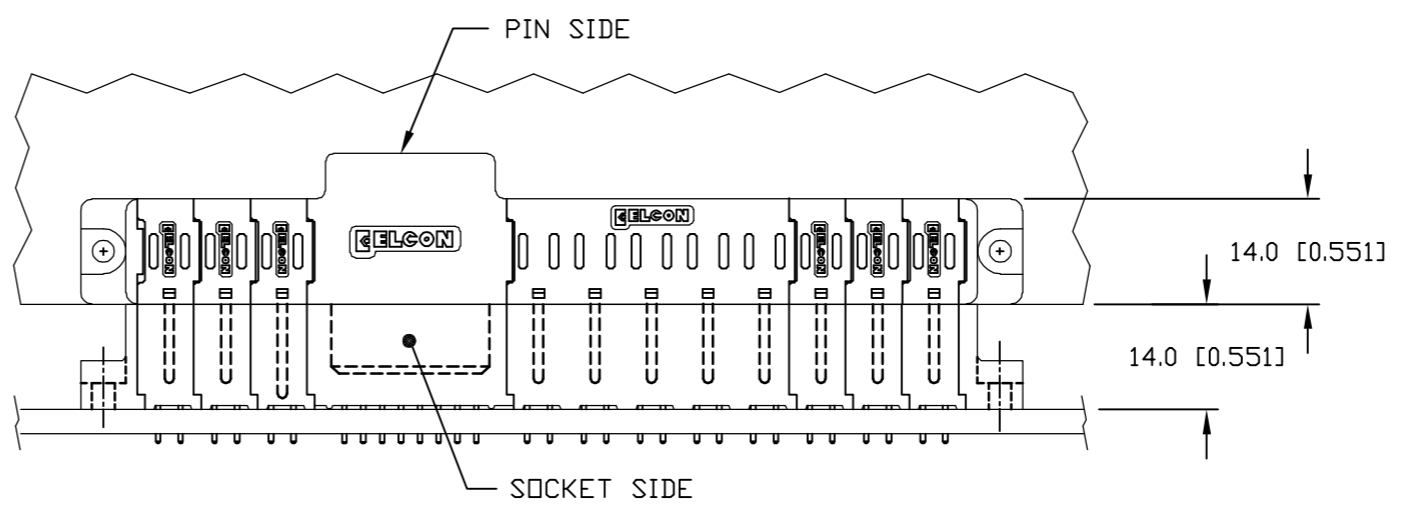


8 SOLDER TERMINATION AREA
RECOMMENDED PRINTED CIRCUIT HOLE

FINISHED HOLE: $\phi 1.02 [0.040] \pm .08 [0.003]$
 DRILLED HOLE: $\phi 1.15 [0.0453] \pm .013 [0.0005]$
 COPPER PLATE: .025 [0.0010] MINIMUM (PER SURFACE)
 TIN PLATE: .008 [0.0003] MINIMUM (PER SURFACE)



MATED CONDITION



← MM OR MM [INCH] INCH THIRD ANGLE PROJECTION UNLESS OTHERWISE SPECIFIED DIMENSIONS ARE IN METRIC [INCHES] TOLERANCES ANGLES $\pm .5^\circ$ DECIMALS .XX $\pm .25 [0.010]$.X $\pm .5 [0.020]$	DRAWN R. F. A.	DATE 2/23/06	 Tyco Electronics Corporation Menlo Park, Ca 94025 	TITLE USER INFORMATION SOLDER TAIL TERMINATION AND MATED CONDITION SIZE B DWG NUMBER C = 6646692 REV. A
	CHECKED			
	APPROVED			
	APPROVED D. CHAU	2/23/06		
	DCA APPROVED		ACAD FILE NUMBER C6646692A.DWG	DWG SCALE 1=1 SH 3 OF 3