

Features

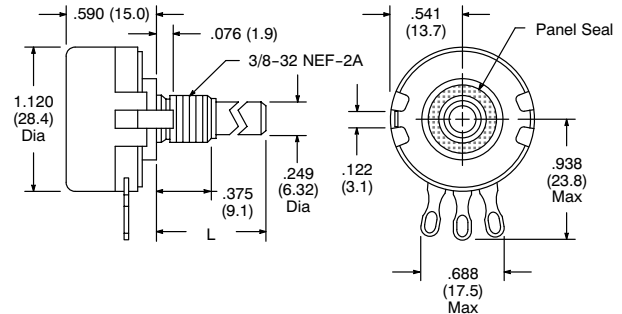
- Hot molded carbon element
- Gold plated terminals
- Stainless steel shaft and housing
- Available in Linear (KU) and Logarithmic (KA) taper
- Meets or exceeds specifications of MIL-R-94 — QPL Listed



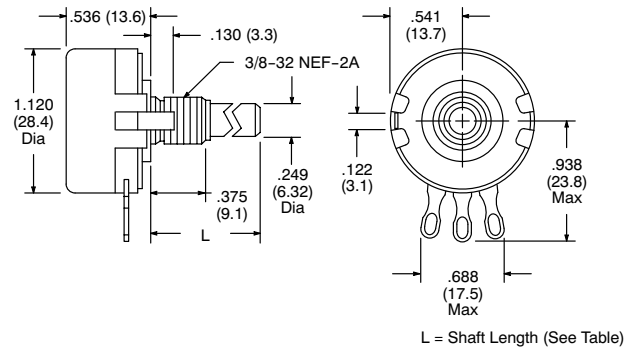
PEC KA/KU/RV4NAY Series

Potentiometer – 2 Watt, 1/4” dia. shaft

P1



P2



Specifications

Electrical

Resistance Range – Linear Taper (KU): 50Ω to 1 Meg Ω
– Logarithmic Taper (KA): 10KΩ to 1 Meg Ω

Resistance Tolerance: ±10%

Power Rating: 2 Watts @ 70°C derated to 0 Watts @ 120°C

Insulation Resistance: 10K Meg Ω (Dry)
 100K Meg Ω (Wet)

Dielectric Strength: 900V RMS at sea level

Operating Voltage: 500V subject to power rating

Mechanical

Mechanical Rotation: 314°

Operating Torque: 1 oz/in to 6 oz/in

Rotation Life: 25,000 cycles

Environmental

Operating Temperature: -65°C to +125°C

Resistance to Soldering Heat: 350°C for 5 seconds

Load Life: 1000 hr. at 70°C

PEC No.	NTE Part No.	Military No.	Value (Ohms)	Shaft Length	Diag No.
KU5001S28	501-0001	RV4NAYSD500A	50	7/8"	P1
KU1011S28	501-0002	RV4NAYSD101A	100	7/8"	P1
KU1511S28	501-0048	RV4NAYSD151A	150	7/8"	P1
KU2011S28	501-0051	RV4NAYSD201A	200	7/8"	P1
KU2511S28	501-0003	RV4NAYSD251A	250	7/8"	P1
KU5011S28	501-0004	RV4NAYSD501A	500	7/8"	P1
KU1021S28	501-0005	RV4NAYSD102A	1K	7/8"	P1
KU2021S28	501-0006	RV4NAYSD202A	2K	7/8"	P1
KU2521S28	501-0007	RV4NAYSD252A	2.5K	7/8"	P1
KU3521S28	501-0008	RV4NAYSD352A	3.5K	7/8"	P1
KU5021S28	501-0009	RV4NAYSD502A	5K	7/8"	P1
KU1031S28	501-0010	RV4NAYSD103A	10K	7/8"	P1
KA1031S28	501-0021**	RV4NAYSD103C	10K	7/8"	P1
KU2031S28	501-0011	RV4NAYSD203A	20K	7/8"	P1
KU2531S28	501-0012	RV4NAYSD253A	25K	7/8"	P1
KA2531S28	501-0022**	RV4NAYSD253C	25K	7/8"	P1
KU3531S28	501-0013	RV4NAYSD353A	35K	7/8"	P1
KU5031S28	501-0014	RV4NAYSD503A	50K	7/8"	P1
KU1041S28	501-0015	RV4NAYSD104A	100K	7/8"	P1
KA1041S28	501-0023**	RV4NAYSD104C	100K	7/8"	P1
KU1541S28	501-0049	RV4NAYSD154A	150K	7/8"	P1
KU2041S28	501-0016	RV4NAYSD204A	200K	7/8"	P1
KU2541S28	501-0017	RV4NAYSD254A	250K	7/8"	P1
KA2541S28	501-0024**	RV4NAYSD254C	250K	7/8"	P1
KU5041S28	501-0018	RV4NAYSD504A	500K	7/8"	P1
KA5041S28	501-0025**	RV4NAYSD504C	500K	7/8"	P1
KU1051S28	501-0019	RV4NAYSD105A	1M	7/8"	P1
KA1051S28	501-0026**	RV4NAYSD105C	1M	7/8"	P1
KU5051S28	501-0020	RV4NAYSD505B	5M	7/8"	P1
KU5001S64	501-0030	RV4NAYSJ500A	50	2"	P2
KU1011S64	501-0031	RV4NAYSJ101A	100	2"	P2
KU2511S64	501-0032	RV4NAYSJ251A	250	2"	P2
KU5011S64	501-0033	RV4NAYSJ501A	500	2"	P2
KU1021S64	501-0034	RV4NAYSJ102A	1K	2"	P2
KU2021S64	501-0035	RV4NAYSJ202A	2K	2"	P2
KU2521S64	501-0036	RV4NAYSJ252A	2.5K	2"	P2
KU3521S64	501-0037	RV4NAYSJ352A	3.5K	2"	P2
KU5021S64	501-0038	RV4NAYSJ502A	5K	2"	P2
KU1031S64	501-0039	RV4NAYSJ103A	10K	2"	P2
KU2031S64	501-0040	RV4NAYSJ203A	20K	2"	P2
KU2531S64	501-0041	RV4NAYSJ253A	25K	2"	P2
KU5031S64	501-0042	RV4NAYSJ503A	50K	2"	P2
KU1041S64	501-0043	RV4NAYSJ104A	100K	2"	P2
KU2041S64	501-0044	RV4NAYSJ204A	200K	2"	P2
KU2541S64	501-0045	RV4NAYSJ254A	250K	2"	P2
KU5041S64	501-0046	RV4NAYSJ504A	500K	2"	P2
KU1051S64	501-0047	RV4NAYSJ105A	1M	2"	P2

** Indicates logarithmic taper.