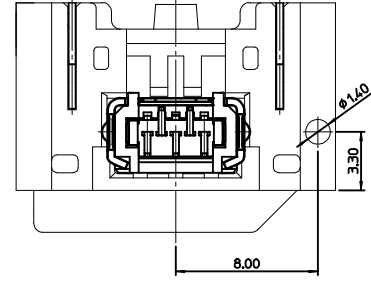
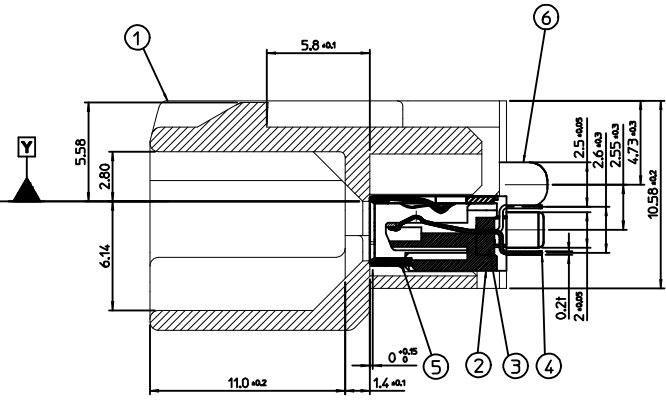
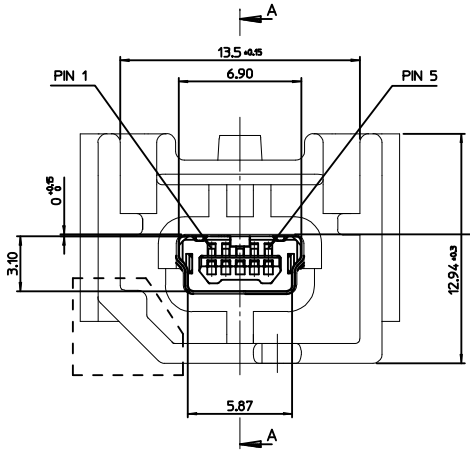


- NOTE**
- MATES WITH :  
MOLEX SERIES NO. - 111014, 111015, 111005, 111041, 111019, 111020)
  - SHROUD GEOMETRY AND ASSEMBLY WITH USB MINI-B CONNECTOR ARE ACCORDING TO USCAR STD 999-U-USB-Z01
  - FINISHES
    - TERMINAL :  
CONTACT AREA : Au 0.75μm MIN.  
SOLDER TAIL AREA : TIN 3.8μm MIN.  
UNDER PLATING : NI 1.0μm MIN.
    - SHIELD CASE :  
3.0μm MIN. TIN OVER NI 1.0μm MIN.
    - FITTING NAIL :  
3.0μm MIN. TIN OVER NI 1.0μm MIN.
  - UNLESS OTHERWISE SPECIFIED, TYPICAL RECOMMENDED PCB MANUFACTURING TOLERANCE IS ±0.05
  - PACKAGING INFORMATION : PK-104004-002
  - PRODUCT SPECIFICATION : PS-49616-001
  - PCB THICKNESS : 1.6mm(REFERENCE)



<TABLE 1>

MATERIAL NO.	ORDER NO.	PACKAGING	COLOR
1040040717	104004-0717	TUBE	BROWN

<PARTS LIST>

NO.	PART NAME	MATERIAL
1	SHROUD	SPS, GLASS FILLED, UL94 HB
2	RECEPTACLE HOUSING	LCP, GLASS FILLED, UL94 V-0
3	CONTACT HOUSING	LCP, GLASS FILLED, UL94 V-0
4	CONTACT TERMINAL	COPPER ALLOY
5	SHIELD CASE	PHOSPHOR BRONZE
6	BOARD LOCKS PIN	BRASS

REVISED  
EC NO: KTR2015-0098  
DRAWN: IBAEK  
CHKD:  
APPR: JYCH01  
2015/04/27  
2015/05/04  
DESCRIPTION

QUALITY SYMBOLS  
▽=0  
▽=0

GENERAL TOLERANCES (UNLESS SPECIFIED)

	mm	INCH
4 PLACES	± 0.15	± 0.006
3 PLACES	± 0.10	± 0.004
2 PLACES	± 0.05	± 0.002
1 PLACE	± 0.25	± 0.010

ANGULAR ± 1°

DRAFT WHERE APPLICABLE  
MUST REMAIN WITHIN DIMENSIONS

DIMENSION STYLE  
MM ONLY

DRAWN BY S.M.KIM  
DATE 2009/06/17

CHECKED BY B.C.YOON  
DATE 2009/06/17

APPROVED BY JHBAE  
DATE 2012/04/27

MATERIAL NO. SEE TABLE1

SCALE 5:1  
DESIGN UNITS METRIC  
THIRD ANGLE PROJECTION

TITLE  
USCAR USB MINI B CONN  
VERTICAL C

MOLEX MOLEX INCORPORATED

DOCUMENT NO. SD-104004-005  
SHEET NO. 1 OF 1

THIS DRAWING CONTAINS INFORMATION THAT IS PROPRIETARY TO MOLEX INCORPORATED AND SHOULD NOT BE USED WITHOUT WRITTEN PERMISSION