

DWG. NO. SD-68131-003

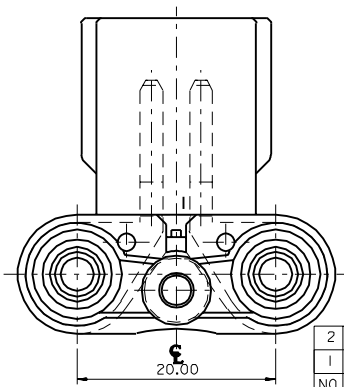
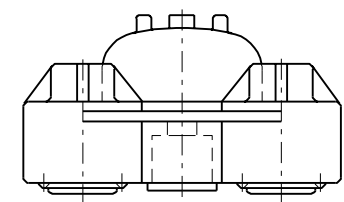
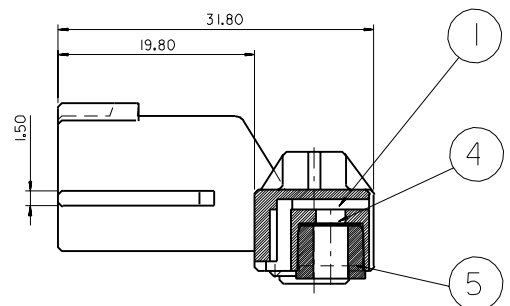
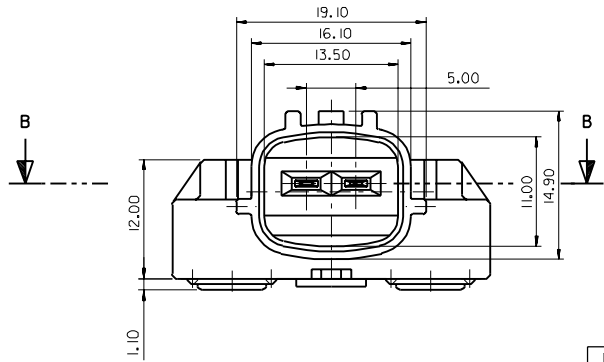
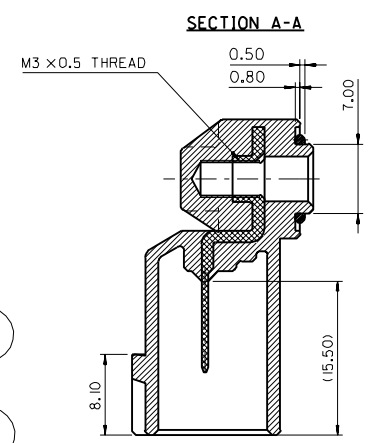
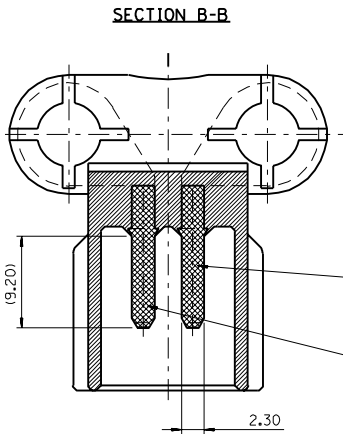
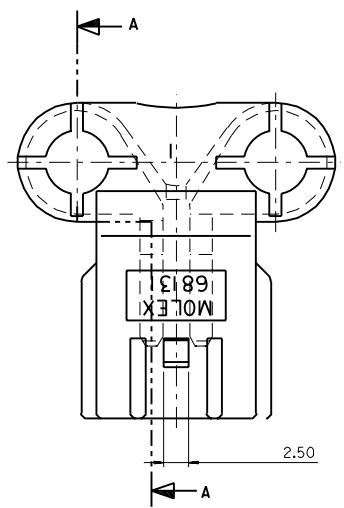
SIMILAR ITEM

PROJECT NO.

C

B

DO NOT SCALE DRAWING DIMENSION IN METRIC



2	681310230	68131-0230	WHITE
1	681310231	68131-0231	BLACK
NO.	MATERIAL NO.	ENG. NO.	FINISH

NO.	P/NAME	P/N.O.	Q'TY		
1	HEADER 2P	68131-0270	1	30% GLASS FILLED POLYESTER	WHITE
	HEADER 2P	68131-0271	1	30% GLASS FILLED POLYESTER	BLACK
2	PIN (LEFT)	35687-2501	1	BRASS	TIN
3	PIN (RIGHT)	35686-2501	1	BRASS	TIN
4	GASKET	35940-0023	1	PAPER(FIBER ALLOY)	WHITE
5	BOTTOM SEAL	35903-0107	1	OIL SILICONE	BLACK

NOTE
 1. APPLICATION: .090 FEMALE HOUSING ASS'Y 2P(35825-0211)
 .090 SEALED FEMALE TER'L(35407-6702 S)
 (35407-6902 L)
 2. PRODUCT SPECIFICATION: 68131-0291
 3. MATERIAL & FINISH: SEE TABLE

Release to manufacturing
 EC NO. KOR 2001-0022
 DRWN: HCRHO 010314
 CHK: B.K.CHOI
 APPR: C.W.LEE

QUALITY SYMBOLS
 MAJOR =
 CRITICAL =
 DESCRIPTION
 REV

GENERAL TOLERANCES:
 (UNLESS SPECIFIED)

	mm	INCH
4 PLACES	±0.	±.
3 PLACES	±0.	±.
2 PLACES	±0.3	±.
1 PLACE	±0.3	±.

ANGULAR: ± | °
 DRAFT WHERE APPLICABLE MUST REMAIN WITHIN DIMENSIONS

SCALE 2:1
 DESIGN UNITS
 mm INCH
 DRAWN BY & DATE '98.10.28 H.C.RHO
 CHECKED BY & DATE '98.10.28 B.K.CHOI
 APPROVED BY & DATE '98.10.28 C.W.LEE
 CAD FILENAME

DIMENSIONS:
 mm INCH mm ONLY
 THIRD ANGLE PROJECTION
 SHT REV
 REVISE ON CAD ONLY
 TITLE: FILTER HORN HEADER ASS'Y 2P(Ø100)
 MOLEX INCORPORATED KOREA
 MATERIAL NO. SEE TABLE
 DRAWING NO. SD-68131-003
 SHEET NO. 1 OF 1
 SIZE B

THIS DRAWING CONTAINS INFORMATION THAT IS PROPRIETARY TO MOLEX INCORPORATED AND SHOULD NOT BE USED WITHOUT WRITTEN PERMISSION.

MX-A3