

MATERIAL NUMBER			CKT SIZE	DESCRIPTION	POL	COLOR
TRAY PACKAGING PK-31300-892	TUBE PACKAGING PK-31301-063	CELL TRAY PACKAGING 346909100				
346900200	346909200		20	STAC64 VERTICAL HEADER ASSEMBLY	A	BLACK
346900201	346909201		20	STAC64 VERTICAL HEADER ASSEMBLY	B	GREY
346900202	346909202		20	STAC64 VERTICAL HEADER ASSEMBLY	C	BROWN
346900203	346909203		20	STAC64 VERTICAL HEADER ASSEMBLY	D	GREEN
346900160	346909160	346908160	16	STAC64 VERTICAL HEADER ASSEMBLY	A	BLACK
346900161	346909161		16	STAC64 VERTICAL HEADER ASSEMBLY	B	GREY
346900162	346909162		16	STAC64 VERTICAL HEADER ASSEMBLY	C	BROWN
346900120	346909120		12	STAC64 VERTICAL HEADER ASSEMBLY	A	BLACK
346900121	346909121		12	STAC64 VERTICAL HEADER ASSEMBLY	B	GREY
346900122	346909122		12	STAC64 VERTICAL HEADER ASSEMBLY	C	BROWN
346900080	346909080		8	STAC64 VERTICAL HEADER ASSEMBLY	A	BLACK
346900081	346909081		8	STAC64 VERTICAL HEADER ASSEMBLY	B	GREY
346900082	346909082		8	STAC64 VERTICAL HEADER ASSEMBLY	C	BROWN
346903084	N/A		8	STAC64 DELETE CAP	A	BLACK

NOTES: VALID UNLESS OTHERWISE SPECIFIED

1. GENERAL:

a. CONNECTOR HEADER MUST BE VALIDATED TO THE FOLLOWING FUNCTIONAL REQUIREMENTS:
 POLARIZATION FEATURE EFFECTIVENESS = SEE PRODUCT SPECIFICATION
 PIN RETENTION = USCAR-2 REV 4
 SOLDERABILITY = SMES-152

b. APPLICATION REQUIREMENTS (REFERENCE ONLY) FOR:
 SEE APPLICATION SPECIFICATION = AS-34729-020/AS-31408-100
 SEE PRODUCT SPECIFICATION = PS-34729-020/PS-31408-100

c. PACKAGING SPECIFICATION: SEE CHART

2. DESIGN: MATERIALS:

a. SHROUD (PLASTIC HOUSING):
 RESIN - SPS 30%GF - 20% REGRIND MAX. BY WEIGHT

b. 0.64MM PINS:
 BASE MATERIAL: C26000
 PLATING TYPE: AS NOTED

3. PLATING REQUIREMENTS:

a. UNDERPLATING - OVERALL NICKEL
 b. OVERPLATING - OVERALL TIN

4. INTERFACE: USCAR
 064-U-008-2-Z02
 064-U-012-2-Z03
 064-U-016-2-Z03
 064-U-020-2-Z02
 SOME CHAMFERS HAVE BEEN MODIFIED TO IMPROVE POLARIZATION EFFECTIVENESS. SEE AS-34729-002/AS-31408-100.

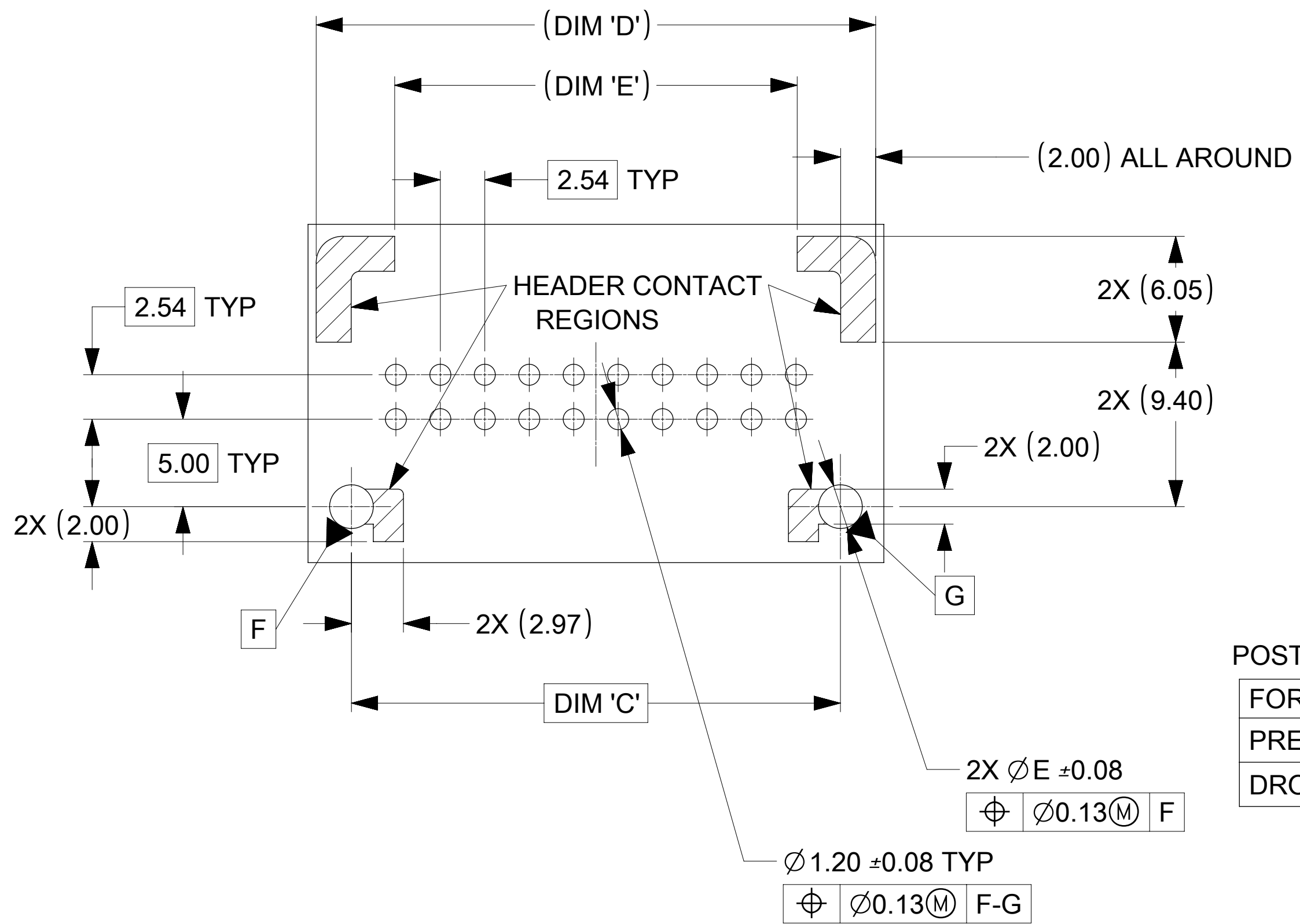
A4	CORRECTED DRAWING TYPE FROM RESTRICTED CUSTOMER TO GENERAL MARKET	637858	2020.05	YPENG47
REV.	REV DESCRIPTION	EC#	DATE	NAME

INSPECTION BALLOON NUMBER LOG
PER DRAWING REVISION: A4
LAST BALLOON NUMBER: 10
ADDED BALLOON NUMBER: NONE
DELETED BALLOON NUMBER: NONE

FUNCTIONAL SYMBOLS	THIS DRAWING CONTAINS INFORMATION THAT IS PROPRIETARY TO MOLEX ELECTRONIC TECHNOLOGIES, LLC AND SHOULD NOT BE USED WITHOUT WRITTEN PERMISSION	SCALE	CURRENT REV DESC: SEE REVISION SHEET	<p>STAC64 SINGLE BAY VERTICAL ASSEMBLY SALES DRAWING</p> <p>PRODUCT CUSTOMER DRAWING</p>
FA = 0	mm	2:1	EC NO: 637858	
FC = 0	GENERAL TOLERANCES (UNLESS SPECIFIED)		DRWN: YPENG47 2020/05/19	
FD = 0	ANGULAR TOL ± 3.0°		CHK'D: CDZHANG 2020/10/22	
DIVISIONAL SYMBOLS	4 PLACES ±	3 PLACES ±	APPR: CDZHANG 2020/10/22	INITIAL REVISION: DRWN: AKUMARMS 2015/12/01 APPR: RBAUMAN 2016/08/23
	2 PLACES ± 0.13	1 PLACE ± 0.25	0 PLACES ±	DOCUMENT NUMBER: 346900000 DOC TYPE: PSD DOC PART: 000 REVISION: A4
	DRAFT WHERE APPLICABLE MUST REMAIN WITHIN DIMENSIONS		THIRD ANGLE PROJECTION	MATERIAL NUMBER: SEE CHART CUSTOMER: SHEET NUMBER: 1 OF 2

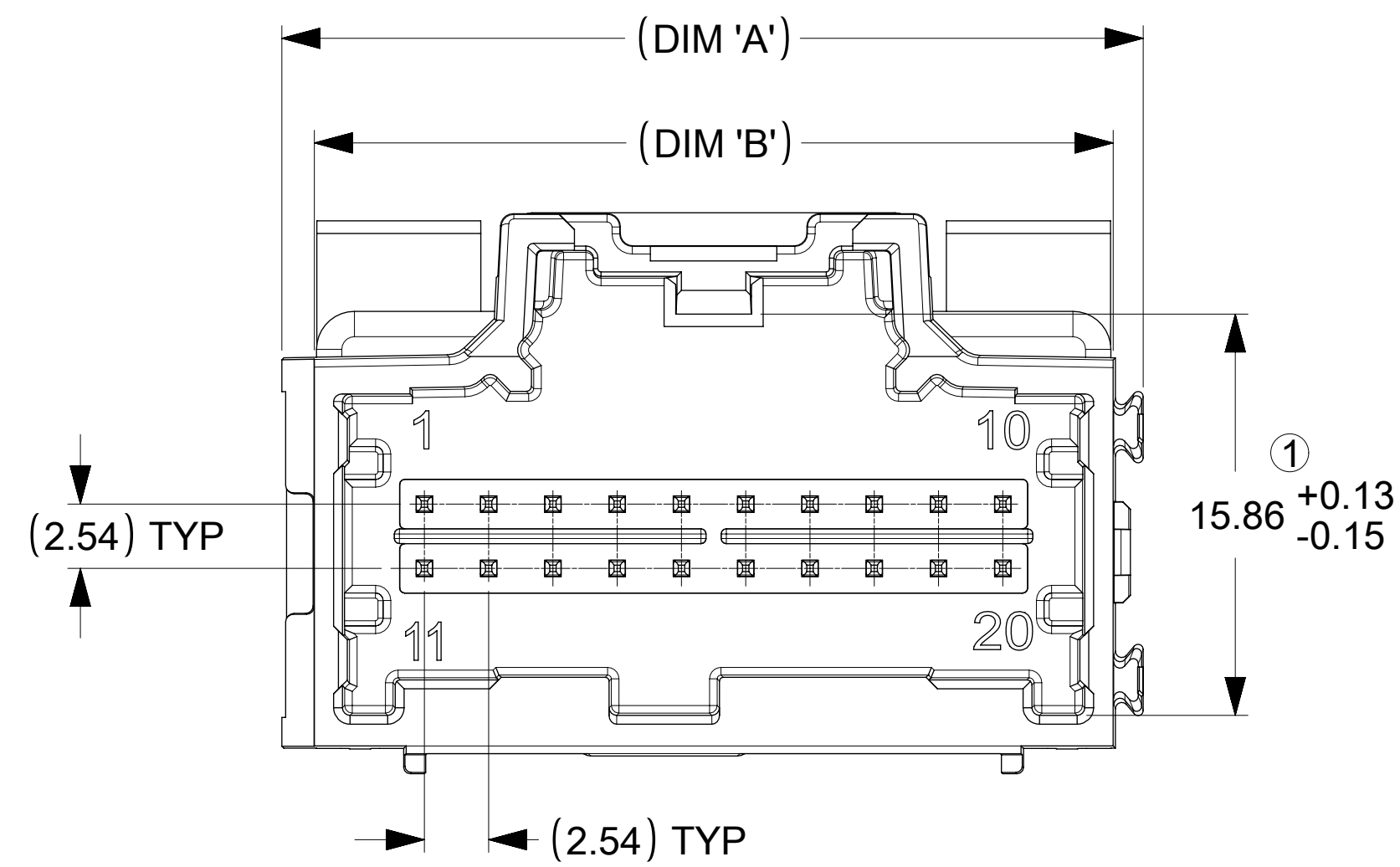
CKT SIZE	DIM 'A'	DIM 'B'	DIM 'C'	DIM 'D'	DIM 'E'
20	34.04	31.57	27.94	31.97	23.00
16	28.96	26.49	22.86	26.89	17.92
12	23.88	21.41	17.78	21.81	12.84
8	18.80	16.53	12.70	16.73	7.76

RECOMMENDED PCB LAYOUT

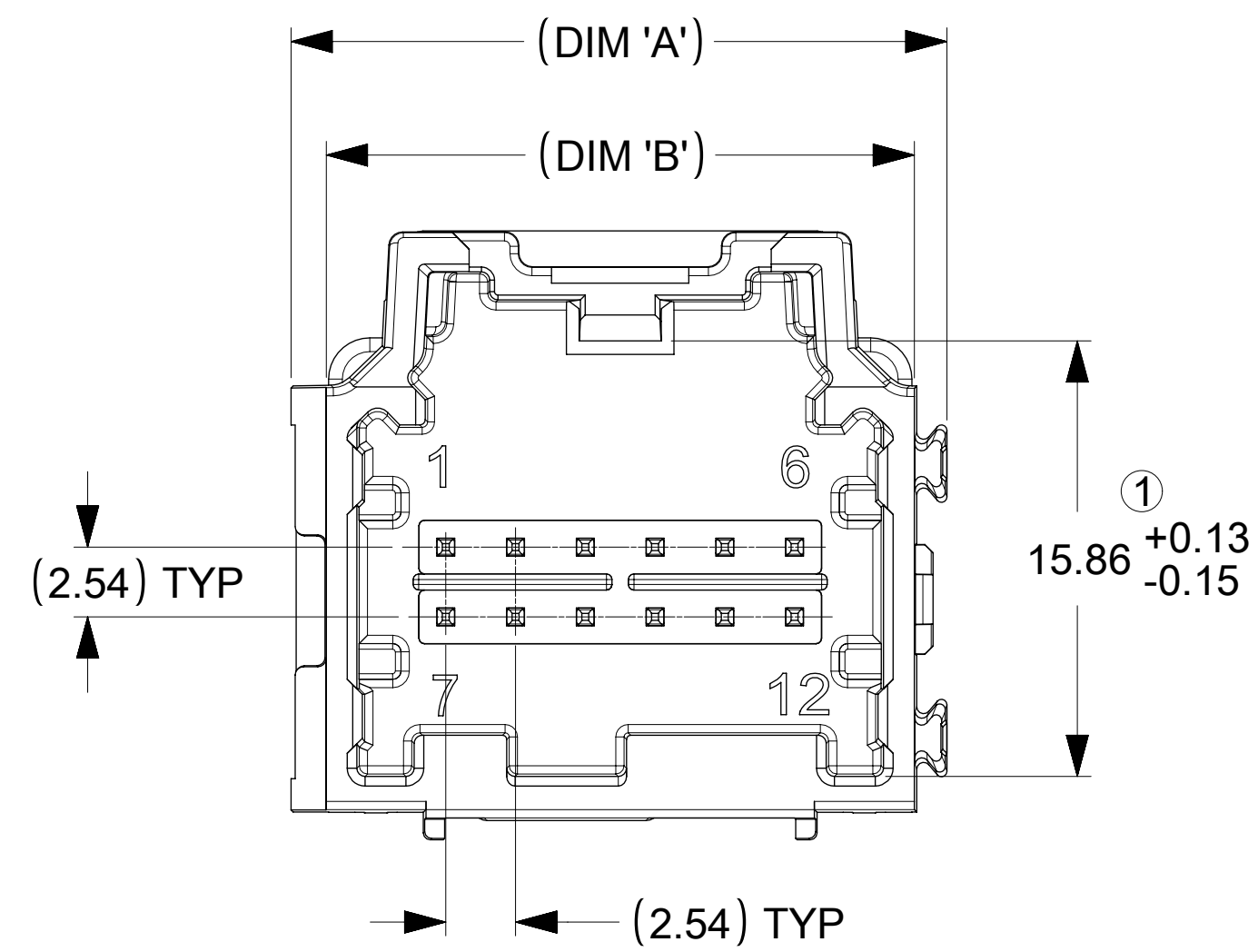


POST HOLE TABLE

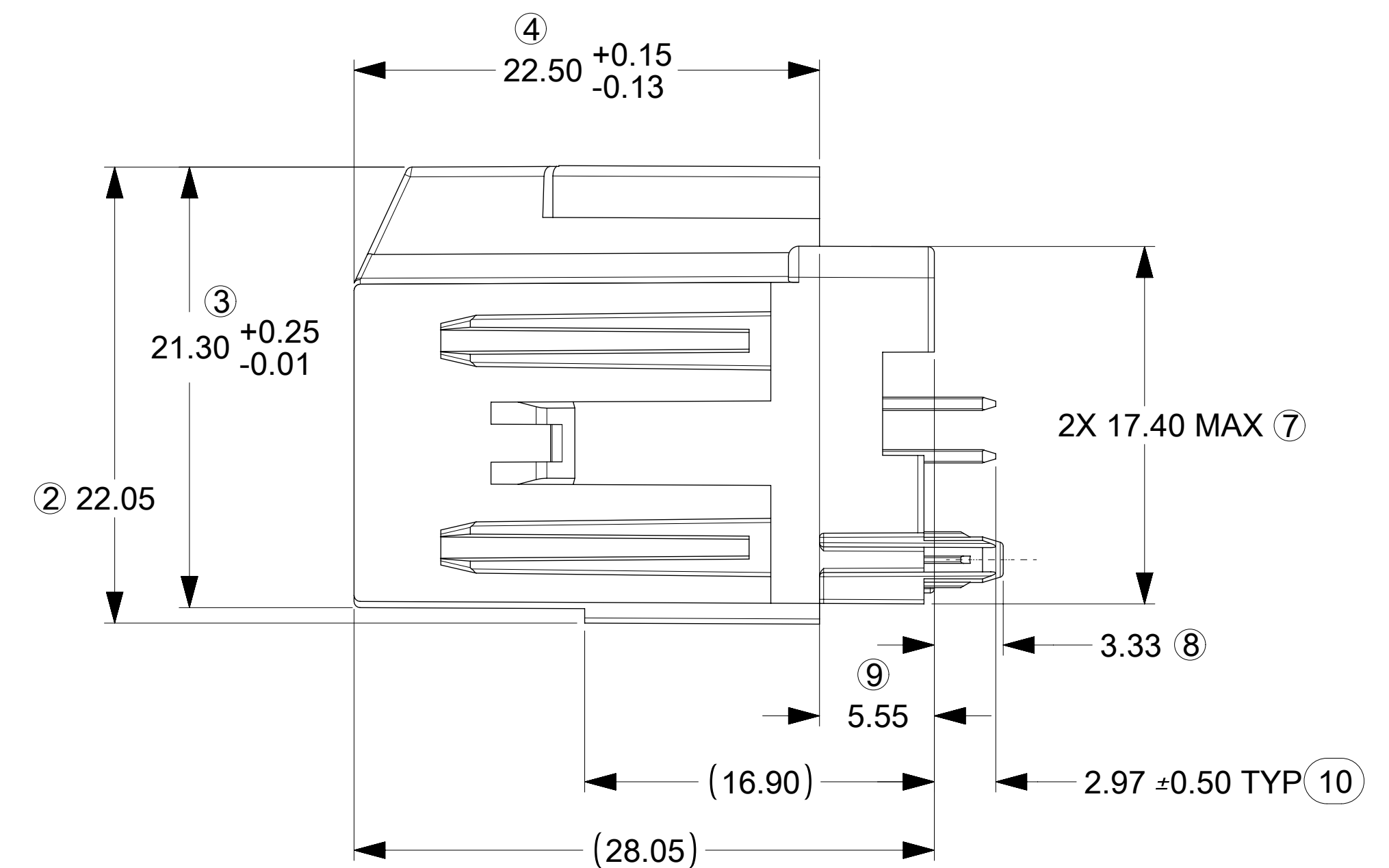
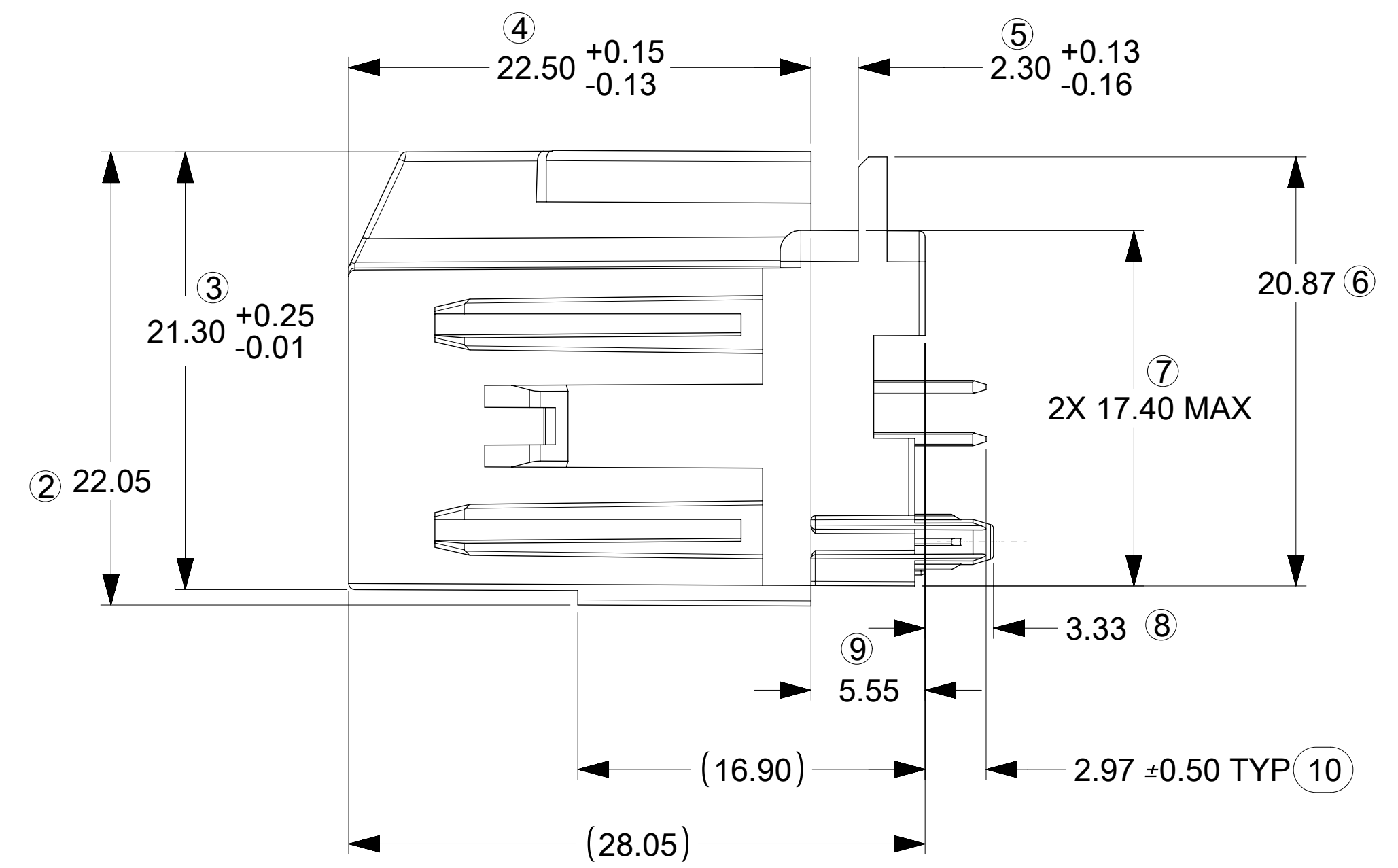
FOR DIM E:	
PRESS FIT	Ø2.60
DROP IN	Ø3.05



LAYOUT FOR 16 & 20 CKT. HEADERS
(20 CKT. OPTION 'A' SHOWN)



LAYOUT FOR 8 & 12 CKT. HEADERS
(12 CKT. OPTION 'A' SHOWN)



FUNCTIONAL SYMBOLS FA = 0 FC = 0 FP = 0	THIS DRAWING CONTAINS INFORMATION THAT IS PROPRIETARY TO MOLEX ELECTRONIC TECHNOLOGIES, LLC AND SHOULD NOT BE USED WITHOUT WRITTEN PERMISSION			
	DIMENSION UNITS	SCALE	CURRENT REV DESC: SEE REVISION SHEET	
	mm	4:1		
	GENERAL TOLERANCES (UNLESS SPECIFIED)			
DIVISIONAL SYMBOLS	ANGULAR TOL ± 3.0°		EC NO: 637858	
	4 PLACES ±	DRWN: YPENG47		2020/05/19
	3 PLACES ±	CHK'D: CDZHANG		2020/10/22
	2 PLACES ± 0.13	APPR: CDZHANG		2020/10/22
	1 PLACE ± 0.25	INITIAL REVISION:		
0 PLACES ±	DRWN: AKUMARMS		2015/12/01	
DRAFT WHERE APPLICABLE MUST REMAIN WITHIN DIMENSIONS		THIRD ANGLE PROJECTION	DRAWING	SERIES
			D-SIZE	34690
DOCUMENT STATUS		DOCUMENT NUMBER	MATERIAL NUMBER	CUSTOMER
P1	346900000	SEE CHART		
RELEASE DATE	DOC TYPE	DOC PART	REVISION	SHEET NUMBER
2020/10/22	PSD	000	A4	2 OF 2
09:37:24				

molex

STAC64 SINGLE BAY
VERTICAL ASSEMBLY SALES DRAWING

PRODUCT CUSTOMER DRAWING

346900000

PSD 000 A4

SEE CHART

2 OF 2

THIS DRAWING IS REDRAWING OF SD-34690-100 REV. H6

DOCUMENT STATUS P1 RELEASE DATE 2020/10/22 09:37:24