

8 7 6 5 4 3 2 1

used for:

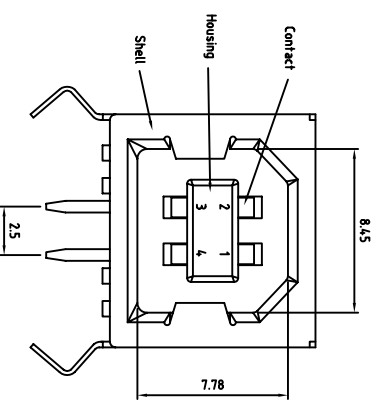
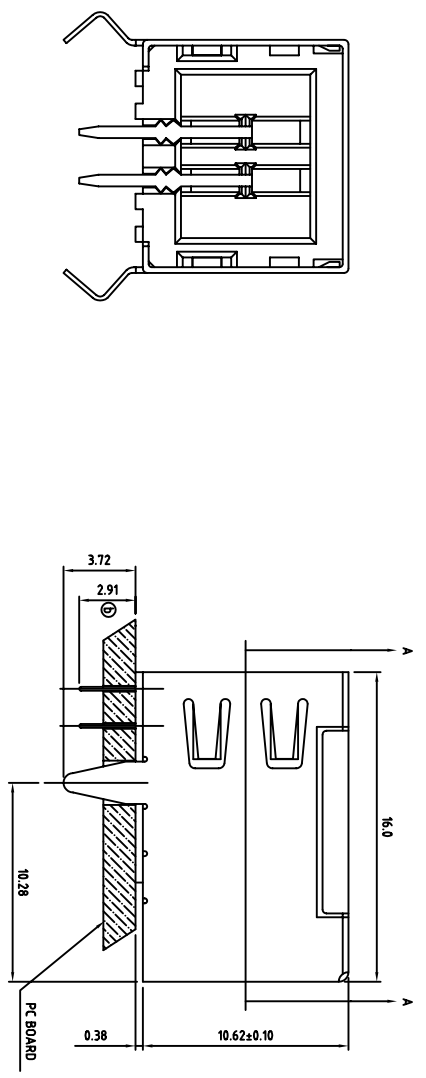
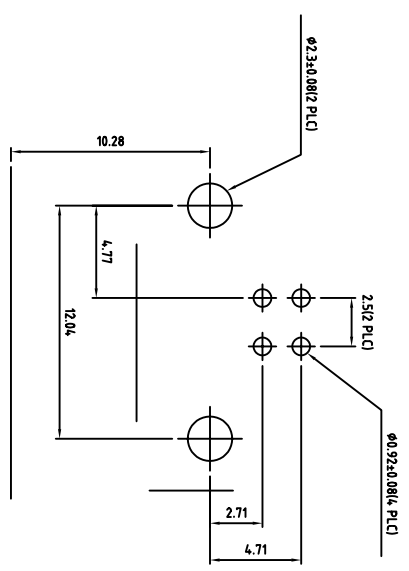
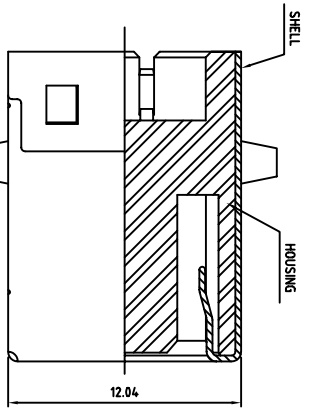
SPECIFICATIONS

Materials and Finish:

Insulator: PBT, Glass Filled, UL94 V-0 Rated
 Contact: Copper Alloy with 5u" Gold Plating
 Shell: Copper Alloy-Cu/Nickel Plating

Electrical

Insulation Resistance: 1000 MOhms Minimum
 Contact Resistance: 30 mOhms Maximum Initial
 Dielectric Withstanding Voltage: 500V AC for one minute
 Current: 1.5 A Maximum Per Contact at 30°C T-Rise
 Voltage: 30V AC (rms)
 Temperature: -55°C ~ 85°C



THIS DRAWING MAY NOT BE COPIED OR REPRODUCED IN ANY WAY, AND MAY NOT BE PASSED ON TO A THIRD PARTY WITHOUT WRITTEN PERMISSION. OWNERSHIP AND COPYRIGHT OF CONEC CORPORATION

DO NOT ALTER CAD DRAWING BY HAND

rev.	description	date	name
a		Apr/19/00	John Nijo
b	2 x b	Nov/21/06	Vincent Ke
c			

CONEC CORPORATION Brampton, Ontario		tolerance unless otherwise specified		Date in mm	
draw.	date	draw.	date	name	name
2005	April 14	2005	April 14	Vincent Ke	R. Santangelo
appd.	April 14	norm			
0-0.01		0-0.01			

scale:	material:	title:	drawing no.:	DIN
		USB (1.1 Version) CONNECTOR B TYPE	AutoCAD 2005	A3
		PCB R/A without Back Shell ©	C0504R02B	street
		RoHS compliant ©	33UBBR-04.SW11	1/1
part no.:				

8 7 6 5 4 3 2 1