



Microwave 2 click (for EU)

PID: MIKROE-3187

Weight: 27 g

Microwave 2 click is an accurate and reliable short to medium range motion detection Click board™, based on a Doppler radar principle. Thanks to the highly integrated NJR4265RF2C1, an intelligent 24GHz microwave motion sensor, it can accurately sense the movement of a low-speed object. Featuring an integrated RF circuit, IF amplifier, and the MCU with its accompanying circuitry, it is able to provide signal processing, allowing better isolation of the useful movement signal and reduction of the background noise. In addition, it can detect an object approaching or leaving away, and autonomously signalize the detected event.

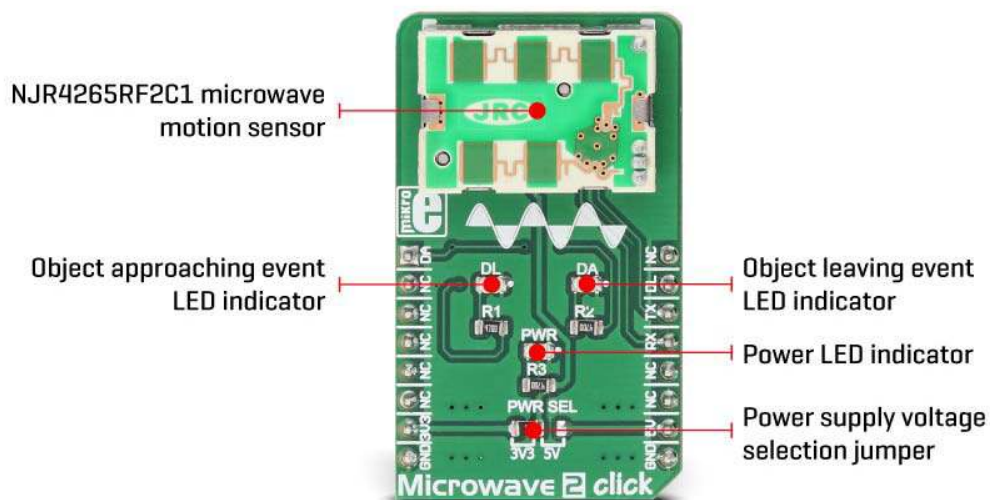
Note: Microwave 2 click board is available for all of EU regions.

Microwave 2 click uses a UART interface, simplifying the firmware development. A benefit of having an integrated MCU on the module is that the ability to autonomously work, even without the MCU. The detected approach or leave event can be signalized

either on two differently colored LEDs or via the PINs, routed to the mikroBUS™. However, to use some advanced features, set detection and threshold parameters, operating modes, and other configuration options, the MCU is necessary. Microwave 2 click is an ideal solution for building safety and security applications, entrance and exit management applications, and other applications that rely on a reliable moving object detection.

How does it work?

The Microwave 2 click can detect movement by utilizing the NJR4265RF2C1, an intelligent 24GHz microwave motion sensor, from JRC. The onboard microwave motion sensor is based on the Doppler effect. It transmits waves and picks them back as they get reflected from a moving object. According to Doppler effect principle, the movement of an object relative to the position of the listener (sensor in this case), causes the reflected waves to increase their frequency when the object approaches, or decrease their frequency as the object moves away (leaves). Comparing the reflected waves with the base frequency at which the waves are transmitted can reveal the object movement properties.



The integrated MCU of the NJR4265RF2C1 module processes the signal reduces the noise and enhances the useful signal, allowing reliable detection and steady sensing of the movement. It then makes a movement direction decision, based on the collected data and signals it back to the host MCU.

Two LEDs, labeled as DL (green) and DA (yellow) are routed to the dedicated module pins, labeled as DETECT APPROACHING and DETECT LEAVING. These pins will signal the corresponding events when they are detected by the sensor. The pins are also routed to the mikroBUS™ AN and INT pins respectively labeled as DA and DL on the Click board™. This way, the movement detection events can be signaled to the host MCU, too.

The NJR4265RF2C1 module is able to sense moving objects up to 10m in front of the sensor. The detection cone is about $\pm 35^\circ$ in respect to the central perpendicular axis of the sensor. The object motion speed should be in the range between 0.25 m/s to 1 m/s. The frequency stability of the emitted waves is in the range of 1MHz below, and up to the center frequency of 24.15 to 24.25 GHz, over the temperature range from -20 °C to +60 °C, allowing steady and accurate detection in various conditions. Wave reflections caused by random objects like leaves, air movement, insects, and other similar objects, is suppressed by the on-chip integrated MCU, increasing the target object detection reliability. However, due to its nature, the noise suppression algorithm limits the detectable object speed and size, which sometimes can be undesirable. Having in mind these limitations, the module is best used in applications where larger, slow-moving objects detection is required, such as the pedestrian movement applications, human or animal detection applications, and similar.

The host MCU can communicate with the Microwave 2 click using the UART interface. The NJR4265RF2C1 module has its UART pins routed to the RX and TX pins of the mikroBUS™. The UART communication parameters are fixed to 9600 bps, 8 data bits, no parity, and one stop bit (9600, 8, N, 1). The MCU can use the UART commands to set the detection thresholds, set the sensor mode, perform acquisition of the detection results and other sensor data. The NJR4265RF2C1 module datasheet offers a list of UART commands, with the detailed explanation of each. However, Microwave 2 click is supplied with the library compatible with all the MikroE compilers, offering a set of functions for simplified control and rapid development of custom applications.

Microwave 2 click can be interfaced with both 3.3V and 5V MCUs. To select the appropriate operating voltage of the module, the SMD jumper labeled as the PWR SEL can be moved to the desired voltage position, clearly labeled underneath the jumper itself.


Specifications

Type	Motion
Applications	Microwave 2 click is an ideal solution for building safety and security applications, entrance and exit management applications, and other applications that rely on a reliable moving object detection
On-board modules	NJR4265RF2C1, an intelligent 24GHz microwave motion sensor, from JRC

Key Features	Motion detection based on Doppler shift of microwave frequency, an integrated MCU used to provide on-chip signal processing, including noise reduction, useful signal enhancement, low power consumption, simplified UART interface, detection of both object approaching and moving away, indicated by two LEDs and dedicated pins
Interface	GPIO,UART
Input Voltage	3.3V or 5V
Compatibility	mikroBUS
Click board size	M (42.9 x 25.4 mm)

Pinout diagram

This table shows how the pinout on **Microwave 2 Click** corresponds to the pinout on the mikroBUS™ socket (the latter shown in the two middle columns).

Notes	Pin					Pin	Notes
Object Approaching	DA	1	AN	PWM	16	NC	
	NC	2	RST	INT	15	DL	Object Leaving
	NC	3	CS	RX	14	TX	UART TX
	NC	4	SCK	TX	13	RX	UART RX
	NC	5	MISO	SCL	12	NC	
	NC	6	MOSI	SDA	11	NC	

Power supply	3.3V	7	3.3V	5V	10	5V	Power supply
Ground	GND	8	GND	GND	9	GND	Ground

Onboard jumpers and settings

SCH Label	PCB Name	Default Position	Description
LD1	DL	-	Object moving away LED indicator (green)
LD2	DA	-	Object approaching LED indicator (red)
LD3	PWR	-	Power LED indicator
PWR SEL	PWR SEL	Left	Power Supply voltage selection: left position 3.3V, right position 5V

Software support

We provide a library for the Microwave 2 Click on our LibStock page, as well as a demo application (example), developed using MikroElektronika compilers. The demo can run on all the main MikroElektronika development boards.

Library Description

This library provides generic functions for communication with the click board.

Key functions:

- `uint8_t microwave2_readByte();` - Function for reading a byte of data from the serial port.
- `uint8_t microwave2_byteReady();` - Function for testing if a byte has been received from the click board.
- `void microwave2_uartHandler(uint8_t *packegBuffer, uint8_t rData);` - Handler function for byte's received from the click board.
- `uint8_t microwave2_checkTrafic();` - Function will give different return values depending on the data handled in the handler function.

Example description

The application is composed of three sections :

- System Initialization - Initializes GPIO and UART structures.
- Application Initialization - Initializes the click board for communication.
- Application Task - Data sent from the click board is captured and different actions are applied.

```
void applicationTask()
{
  char tmp;
  char rDat;

  if( microwave2_byteReady() )
  {
    rDat=microwave2_readByte();
    microwave2_uartHandler(&buf,rDat);
  }

  tmp = microwave2_checkTrafic();

  if(tmp == MICROWAVE2_MOVING_CLOSER)
  {
    mikrobus_logWrite("Approaching",_LOG_LINE);
  }
  if(tmp == MICROWAVE2_STOPPED_MOVING)
  {
    mikrobus_logWrite("No movesment",_LOG_LINE);
  }
  if(tmp == MICROWAVE2_MOVING_AWAY)
  {
    mikrobus_logWrite("Moving away",_LOG_LINE);
  }
}
```

The full application code, and ready to use projects can be found on our [LibStock](#) page.

Other mikroE Libraries used in the example:

- UART Library

Additional notes and information

Depending on the development board you are using, you may need USB UART click, USB UART 2 click or RS232 click to connect to your PC, for development systems with no UART to USB interface available on the board. The terminal available in all MikroElektronika compilers, or any other terminal application of your choice, can be used to read the message.

mikroSDK

This click board is supported with mikroSDK - MikroElektronika Software Development Kit. To ensure proper operation of mikroSDK compliant click board demo applications, mikroSDK should be downloaded from the LibStock and installed for the compiler you are using.

For more information about mikroSDK, visit the official page.

