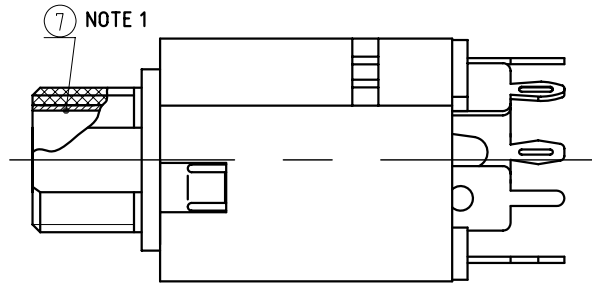
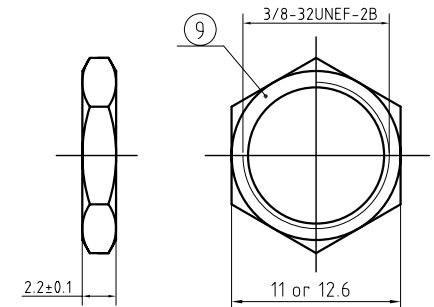


PCB MOUNTING HOLES(±0.1)  
(COMPONENT SIDE)



NOTE 1: METAL TUBE IS NOT CONNECTED TO TERMINAL 1



HEX NUT

FLAT WASHER

PART No.	ACJM-MIV-2	ACJM-MIV-2S	ACJS-MIV-3	ACJS-MIV-3S	ACJS-MIV-5
SCHEMATIC					

NO.	NAME	QTY	MATERIAL(THICK,COLOR)	REMARK
9	HEX NUT	1	H59 (COPPER ALLOY)	Ni-PLATED(Cu:2-3um, Ni:2-3um) RoHS COMPLIANT
8	FLAT WASHER	1	H62Y OR STEEL t=0.5	
7	METAL TUBE	1	H59 (COPPER ALLOY)	
6	BODY	1	PBT G10 94HB	RoHS COMPLIANT
5	5# TERMINAL	1	H62Y t=0.4 (C2680R-H)	Ag-PLATED(Cu:2-3um, Ag:0.3um) RoHS COMPLIANT
4	4# TERMINAL	1	H62Y t=0.4 (C2680R-H)	
3	3# TERMINAL	1	QSn6.5-0.1Y t=0.35 (C5210R-H)	
2	2# TERMINAL	1	QSn6.5-0.1Y t=0.4 (C5210R-H)	
1	1# TERMINAL	1	QSn6.5-0.1Y t=0.4 (C5210R-H)	

UNLESS OTHERWISE SPECIFIED TOLERANCE TO BE		THIS DOCUMENT IS THE PROPERTY OF AMPHENOL AUSTRALIA PTY. LTD.. NO PART THEREOF MAY BE REPRODUCED AND USED WITHOUT THE PRIOR WRITTEN CONSENT OF THE OWNER				0	FIRST ISSUE	M.H	19-11-09	----
LINEAR	ANGULAR	CAD FILE: 55010639000110				REV.	CHANGE DETAILS	BY	DATE	CHG/No
X ± 0.5	X° ± 1°	DRN:	M.H	DATE:	19-11-09	TITLE: 6.5mm INSULATED VERTICAL JACK CUSTOMER DRAWING		Amphenol		
X.X ± 0.1	X°X' ± 30'	MATL:	SEE TABLE	CKD:	M.H	DATE:	19-11-09	Amphenol Australia Pty.Ltd, 2 Fireways Blvd, Keysborough, Vic.3173		
X.XX ± 0.05	X°X'X" ± 15"	APP'D:	M.H	DATE:	19-11-09	DRAWING NO.		55010639-000-1		
DO NOT SCALE		FINISH:	SEE TABLE	SCALE:	NTS	PART No:	SEE TABLE	SIZE:	A4	SHEET 1 OF 1

1

2

3

4

5

6