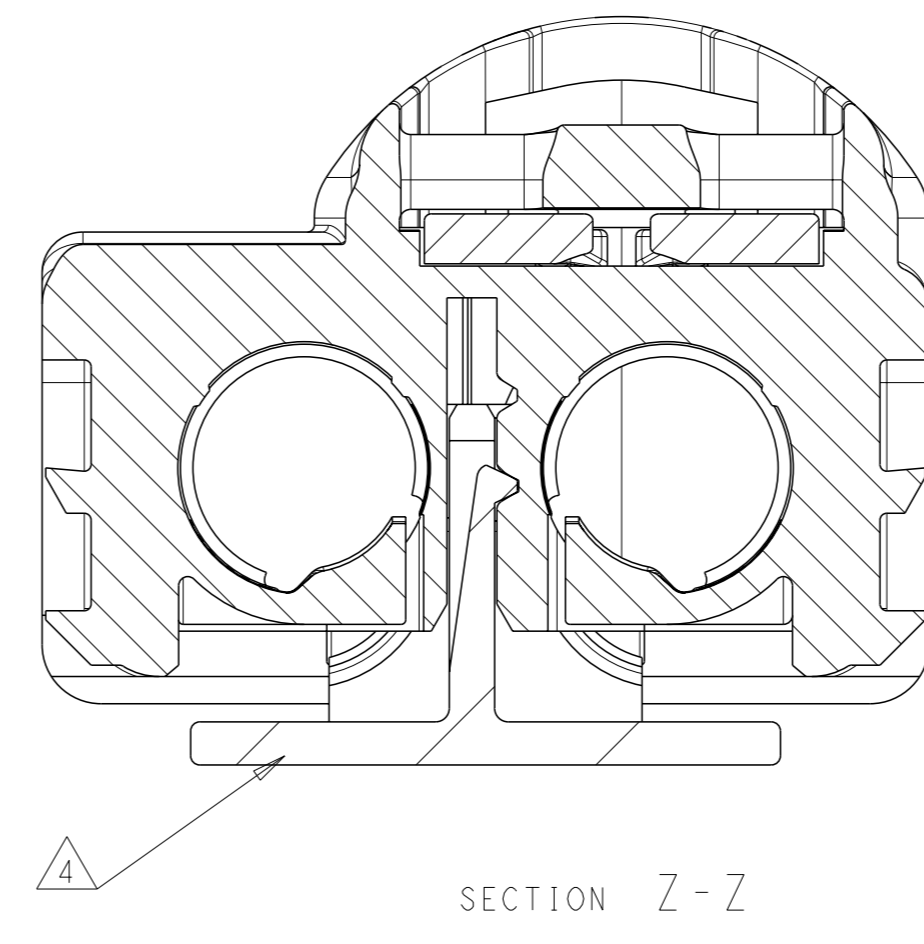
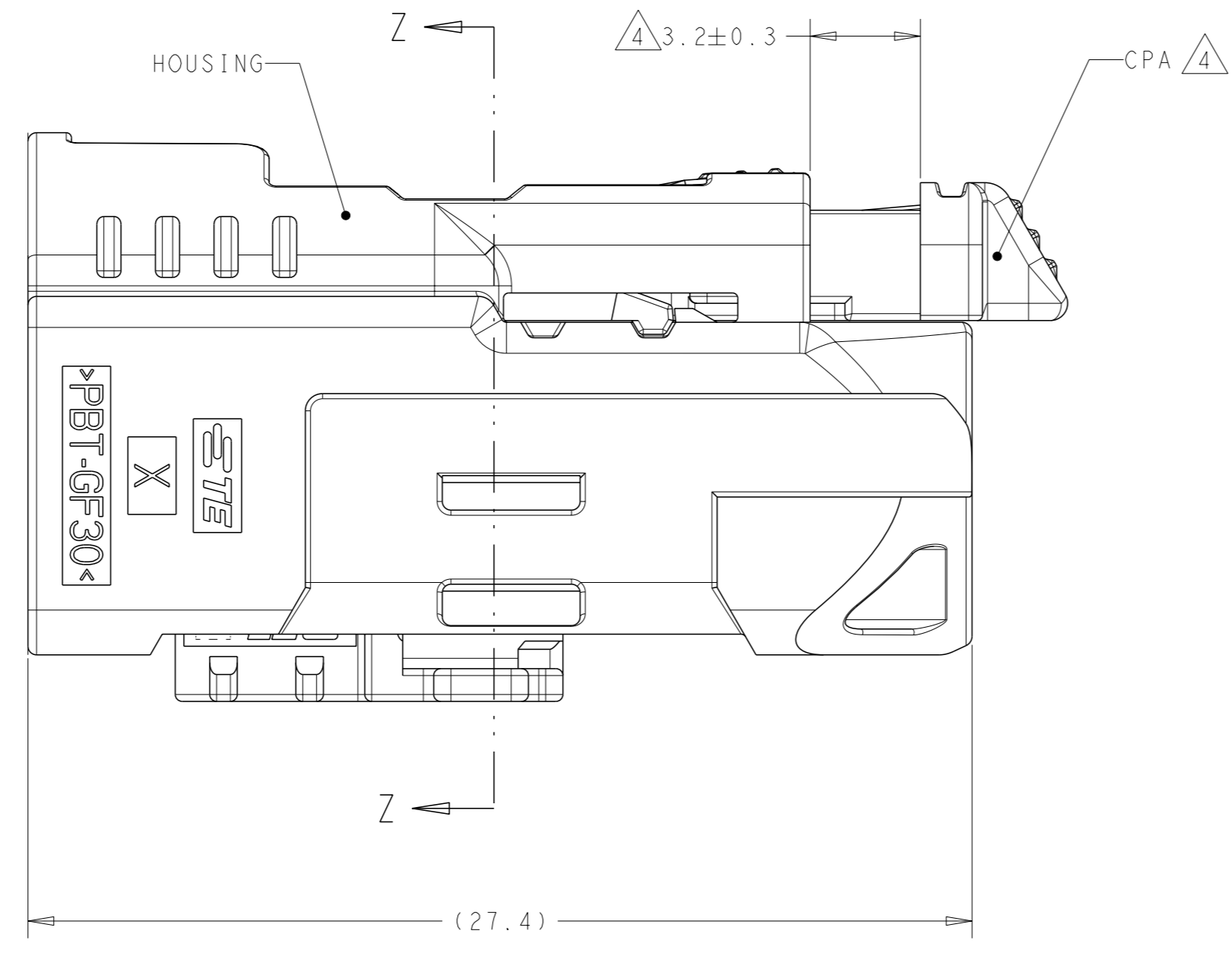
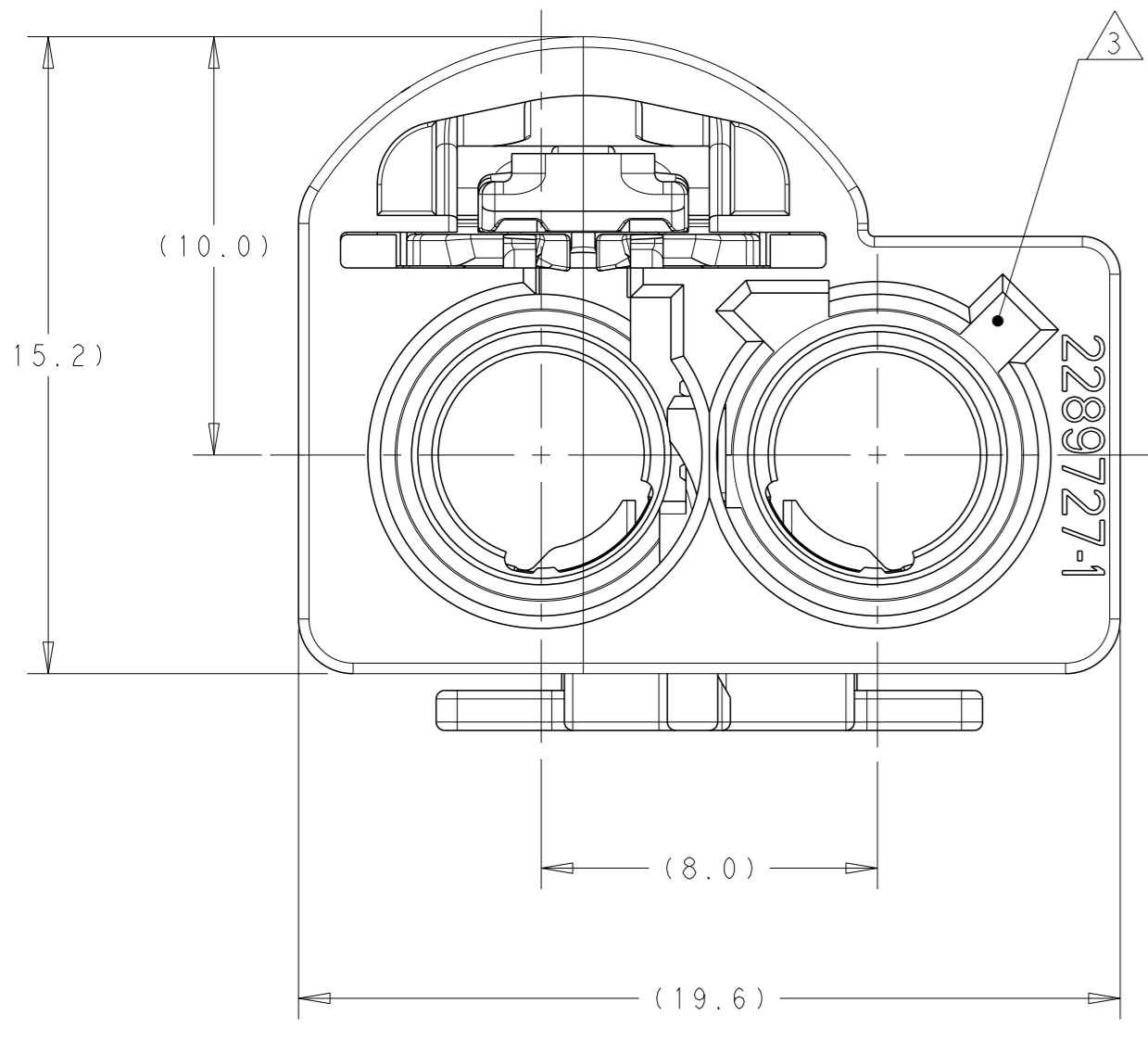
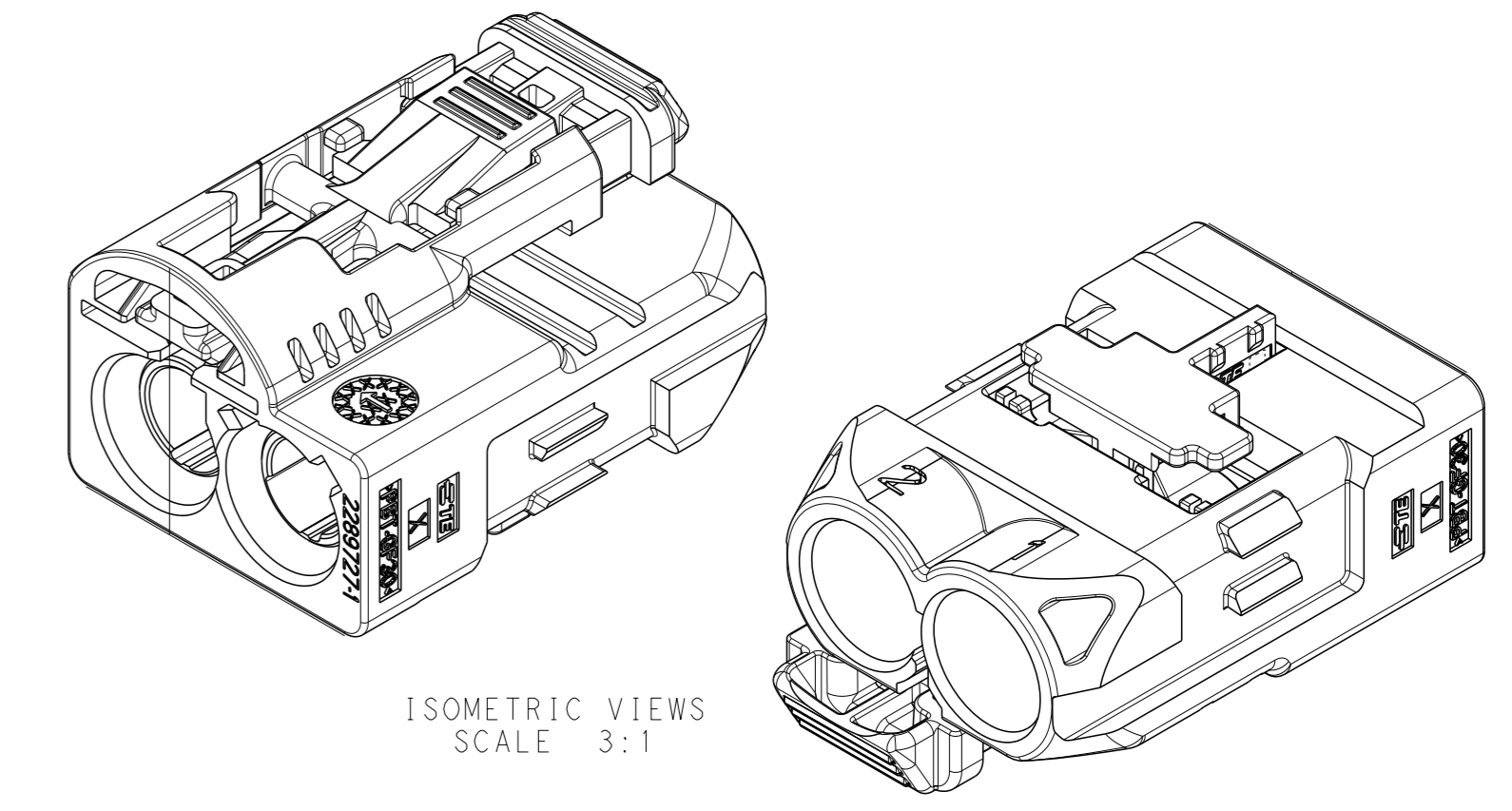
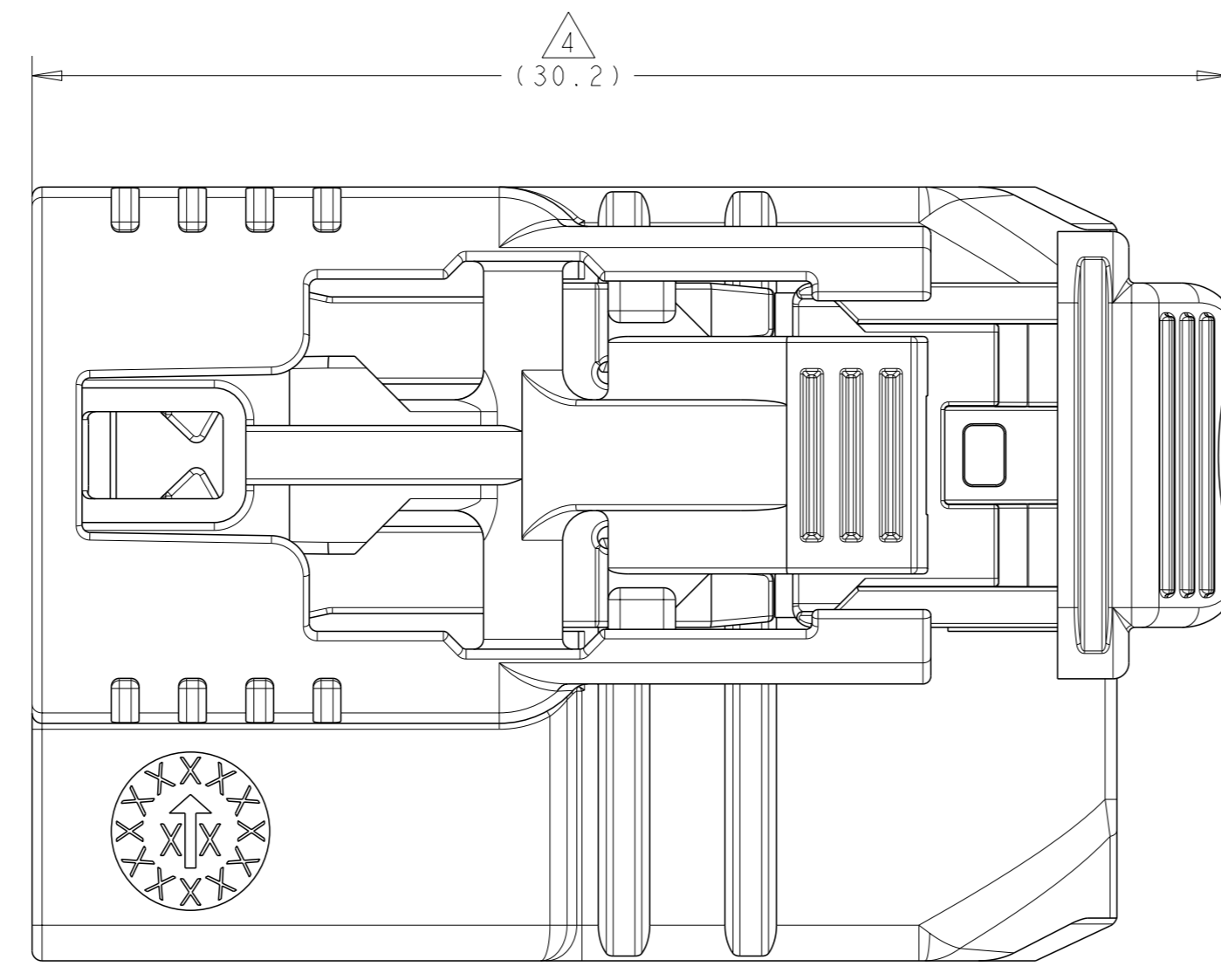
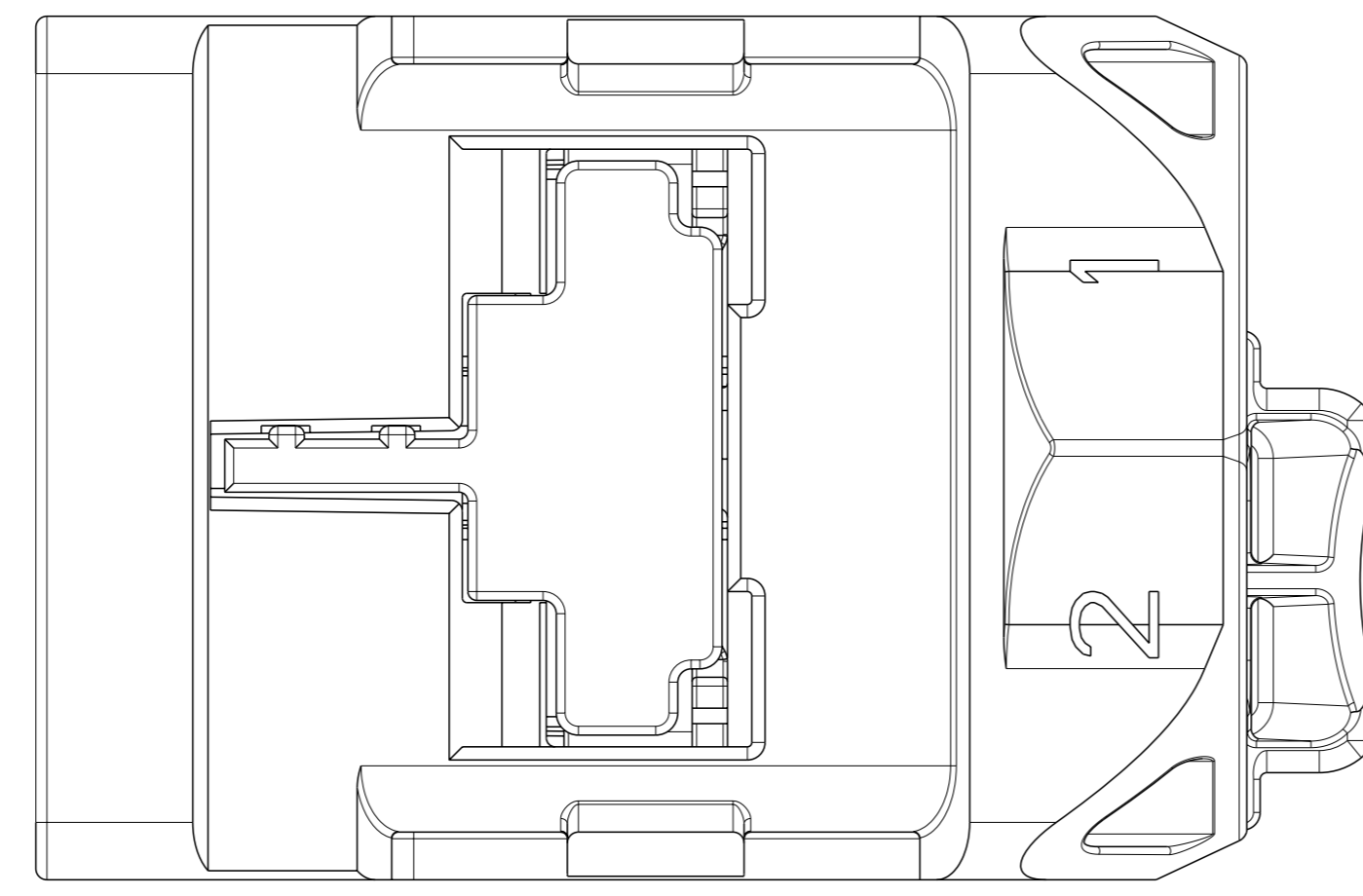


REVISIONS				
REV	DATE	DESCRIPTION	OWN	APVD
A	11FEB2019	RELEASED PER ECO-19-002122	NLE	JWH
B	03DEC2019	REVISED PER ECO-19-017845	JAB	NE
B1	12JUL2022	REVISED PER ECN-22-163114	SR	AC



2289731-1 AS SHOWN



OBSOLETE	-	-	-	-	4-2289731-0
OBSOLETE	-	-	-	-	3-2289731-3
OBSOLETE	-	-	-	-	3-2289731-2
OBSOLETE	-	-	-	-	3-2289731-1
OBSOLETE	-	-	-	-	3-2289731-0
OBSOLETE	-	-	-	-	2-2289731-9
OBSOLETE	-	-	-	-	2-2289731-8
OBSOLETE	-	-	-	-	2-2289731-7
OBSOLETE	-	-	-	-	2-2289731-6
OBSOLETE	-	-	-	-	2-2289731-5
OBSOLETE	-	-	-	-	2-2289731-4
OBSOLETE	-	-	-	-	2-2289731-3
OBSOLETE	-	-	-	-	2-2289731-2
OBSOLETE	-	-	-	-	2-2289731-1

2203275 (SOLD SEPARATELY) SEE SHEET 2	Z	PER DETAIL Z	WATER BLUE	2-2289731-0
	N	PER DETAIL N	PASTEL GREEN	1-2289731-3
	M	PER DETAIL M	PASTEL ORANGE	1-2289731-2
	L	PER DETAIL L	CARMINE RED	1-2289731-1
	K	PER DETAIL K	CURRY	1-2289731-0
	I	PER DETAIL I	BEIGE	2289731-9
	H	PER DETAIL H	HEATHER VIOLET	2289731-8
	G	PER DETAIL G	BLUE GREY	2289731-7
	F	PER DETAIL F	NUT BROWN	2289731-6
	E	PER DETAIL E	LEAF GREEN	2289731-5
	D	PER DETAIL D	CLARET VIOLET	2289731-4
C	PER DETAIL C	SIGNAL BLUE	2289731-3	
B	PER DETAIL B	CREAM	2289731-2	
A	PER DETAIL A	JET BLACK	2289731-1	

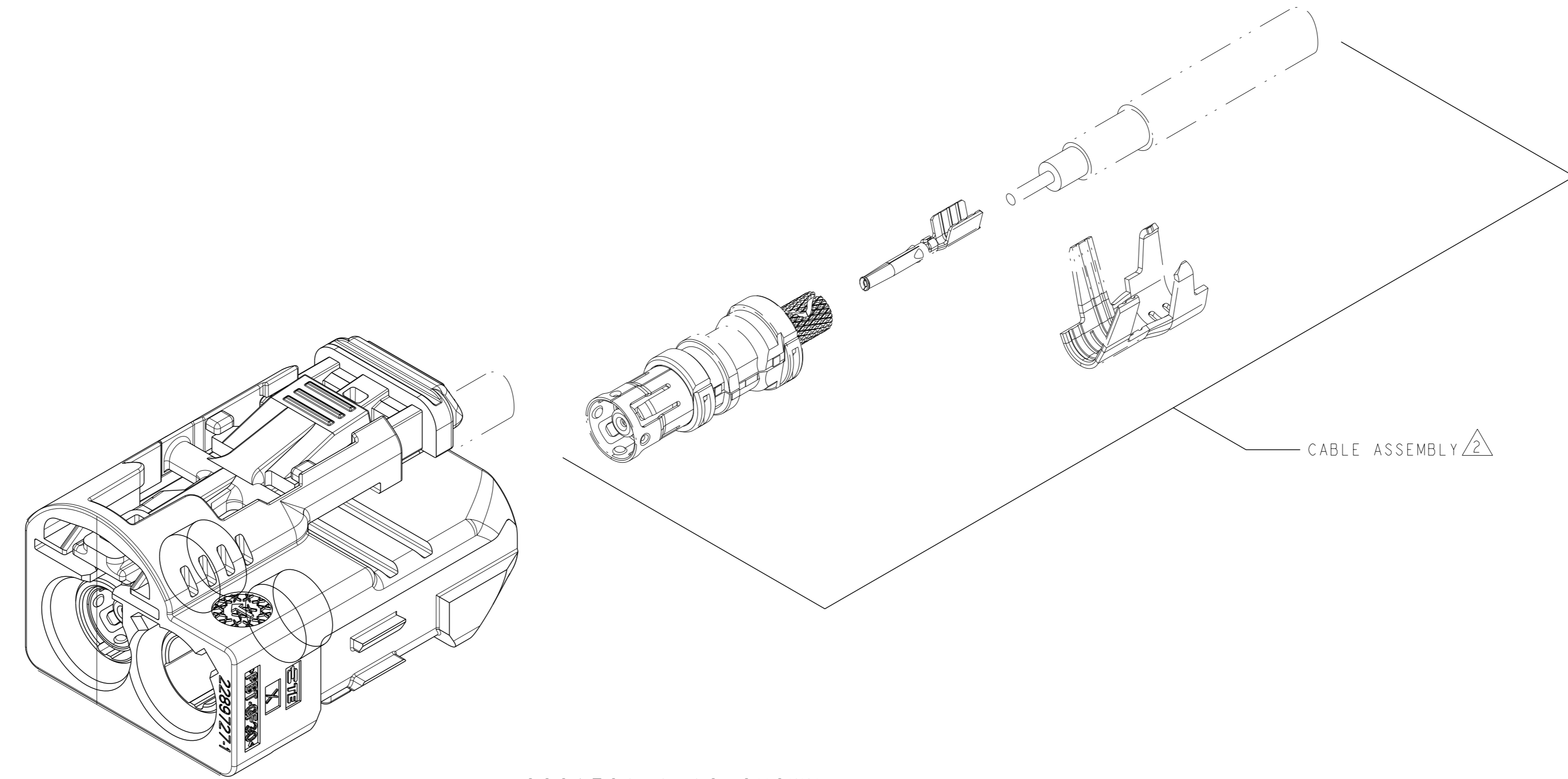
- 1 HOUSING - POLYESTER PBT, COLOR: SEE TABLE, GLASS FILLED
CPA - POLYESTER PBT, COLOR TRAFFIC RED, GLASS FILLED
- 2 CABLE ASSEMBLY: SEE TABLE.
- 3 FEMALE INTERFACE PER ISO-20860-1, ISO-20860-2, SAE/USCAR-17, SAE/USCAR-18.
- 4 SECONDARY LOCK AND CPA IN PRESET POSITION. IF SECONDARY LOCK IS IN LOCK POSITION, PLEASE REVIEW 408-160028 FOR INSTRUCTIONS TO RESET SECONDARY LOCK TO PRESET POSITION.

THIS DRAWING IS A CONTROLLED DOCUMENT.

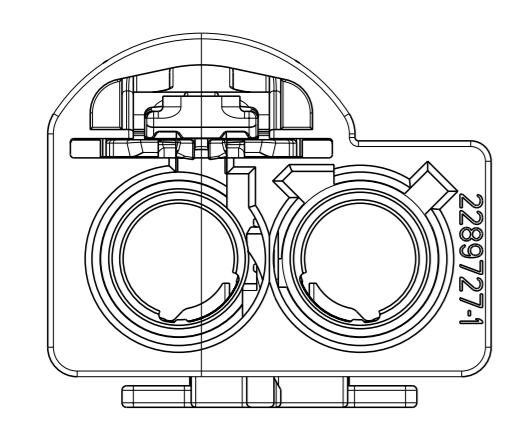
OWN: D. J. HARDY	14APR2015		NAME: FEMALE KIT, CPA, 2 POSITION, FAKRA AUTOMATED		
CHK: D. J. LANE	14APR2015				
APVD: D. J. LANE	14APR2015				
PRODUCT SPEC: 108-32137	APPLICATION SPEC: 114-32145				
DIMENSIONS: mm	TOLERANCES UNLESS OTHERWISE SPECIFIED:	SIZE: A1	CAGE CODE: -	DRAWING NO: C=2289731	RESTRICTED TO: -
0 PLC ±	1 PLC ±	WEIGHT: -	SCALE: 6:1	SHEET: 1 OF 2	REV: B1
2 PLC ±	3 PLC ±	MATERIAL: -	RESTRICTED CUSTOMER		
4 PLC ±	ANGLES FINISH: -				

Printed on 12 Jul 2022 11:51 (Mountain Standard Time) from JES13069

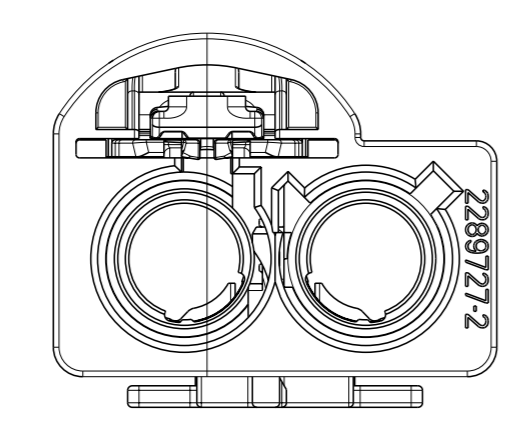
REVISIONS				
P.	LY#	DESCRIPTION	DATE	OWN APVD
-	-	SEE SHEET 1	-	-



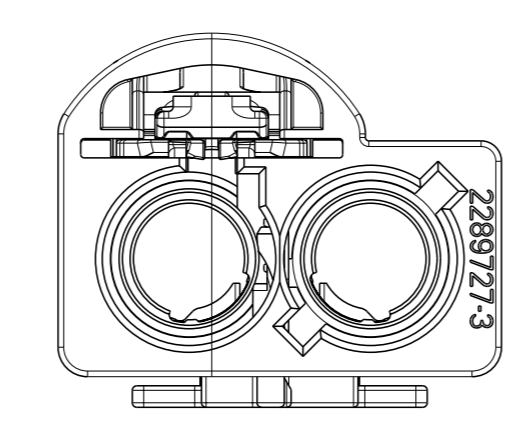
2289731-1 AS SHOWN
 SCALE 4:1



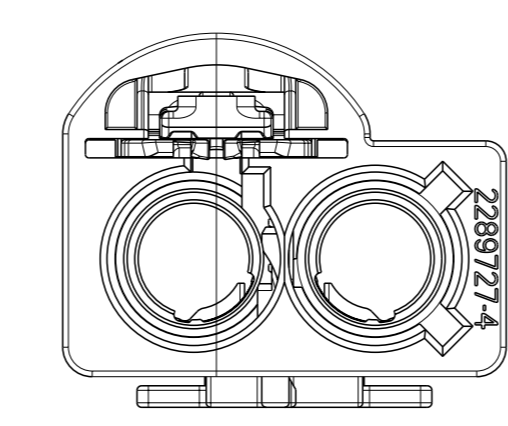
DETAIL A
 SCALE 3:1



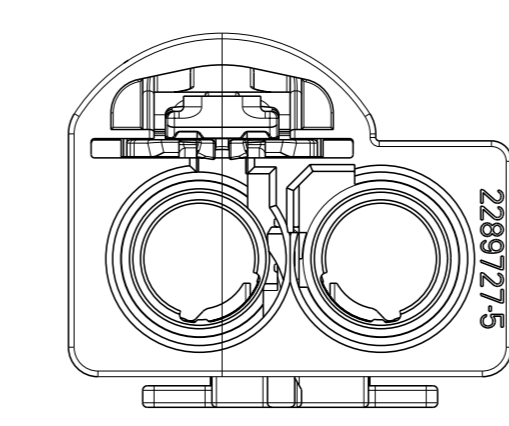
DETAIL B
 SCALE 3:1



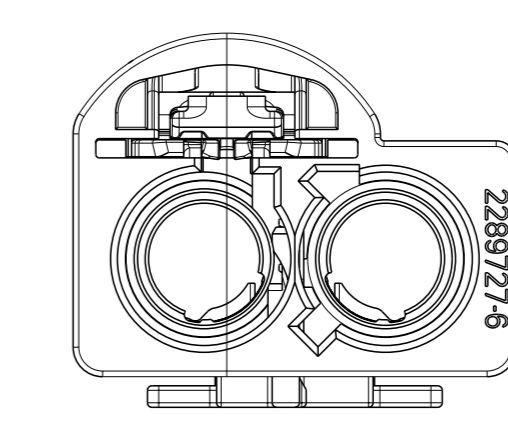
DETAIL C
 SCALE 3:1



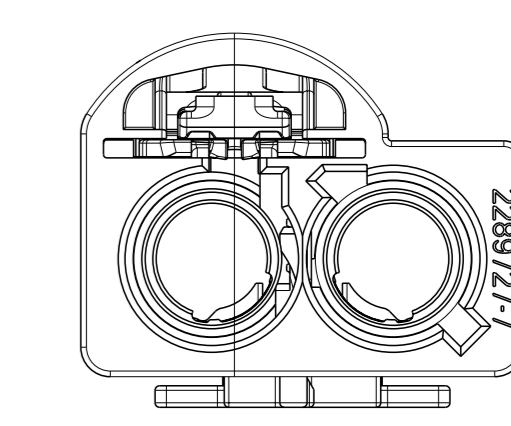
DETAIL D
 SCALE 3:1



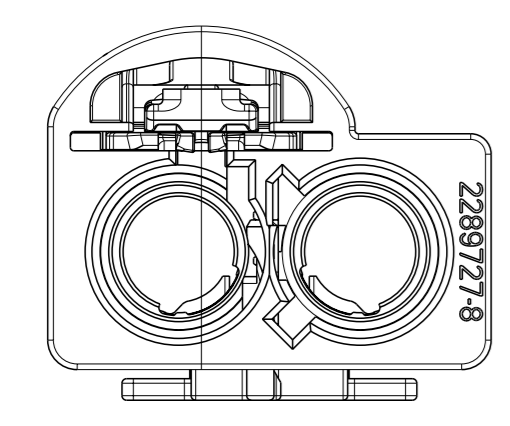
DETAIL E
 SCALE 3:1



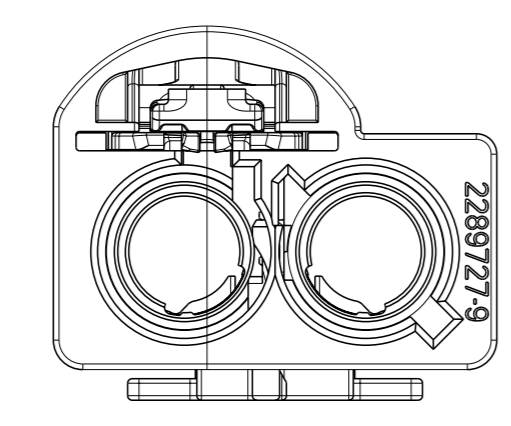
DETAIL F
 SCALE 3:1



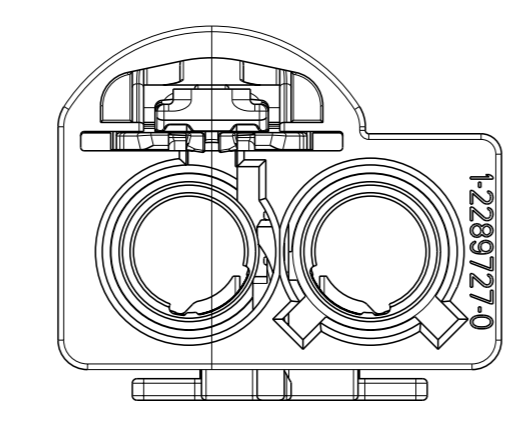
DETAIL G
 SCALE 3:1



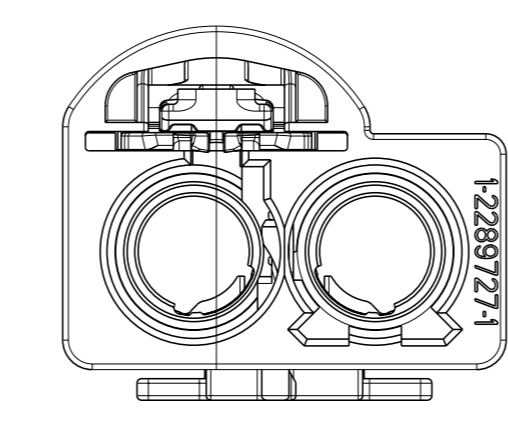
DETAIL H
 SCALE 3:1



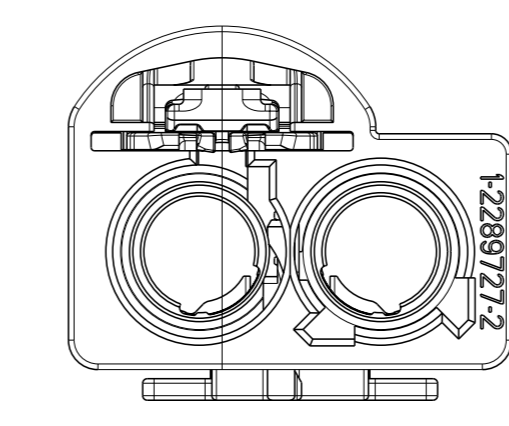
DETAIL I
 SCALE 3:1



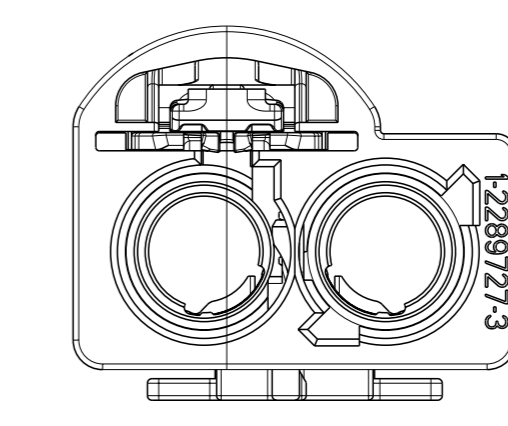
DETAIL K
 SCALE 3:1



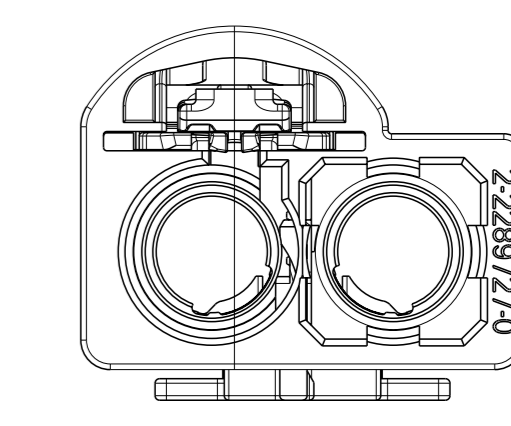
DETAIL L
 SCALE 3:1



DETAIL M
 SCALE 3:1



DETAIL N
 SCALE 3:1



DETAIL Z
 SCALE 3:1

THIS DRAWING IS A CONTROLLED DOCUMENT.		OWN D. J. HARDY 14APR2015		NAME FEMALE KIT, CPA, 2 POSITION, FAKRA AUTOMATED
DIMENSIONS:		CHK D. J. LANE 14APR2015		
TOLERANCES UNLESS OTHERWISE SPECIFIED:		APVD D. J. LANE 14APR2015		
mm		PRODUCT SPEC		
0 PLC	±	108-32137	APPLICATION SPEC	SIZE
1 PLC	±	114-32145	RESTRICTED CUSTOMER	A1
2 PLC	±			C=2289731
3 PLC	±			SCALE 6:1
4 PLC	±			SHEET 2 OF 2
ANGLES	±			REV B1
FINISH	±			