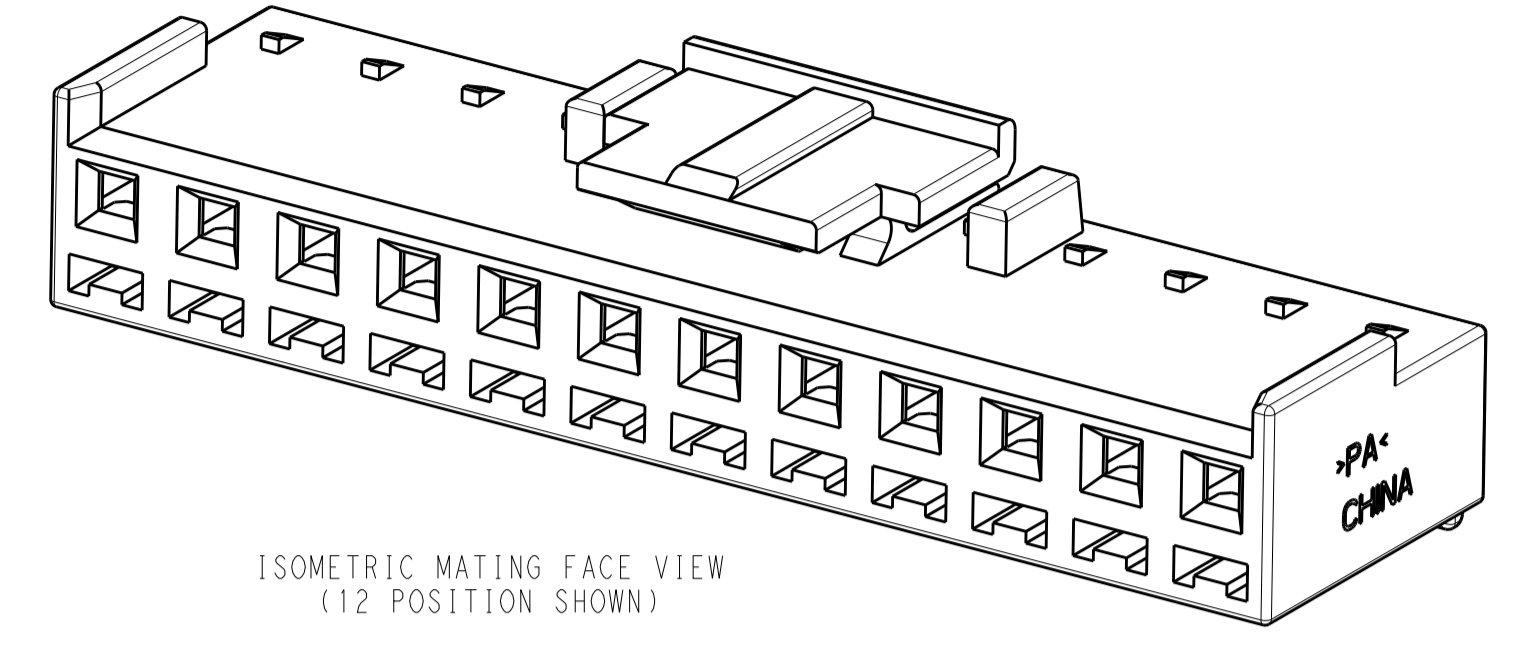
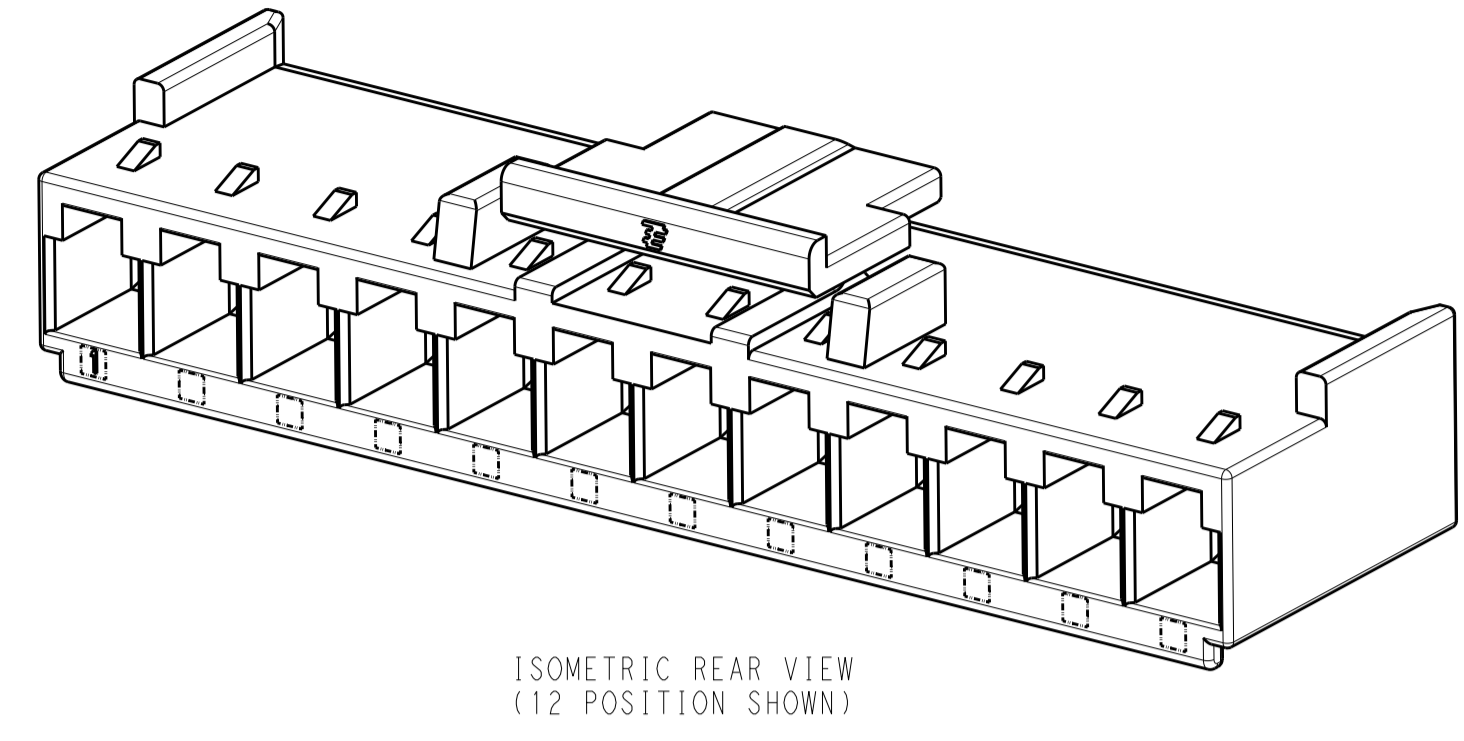
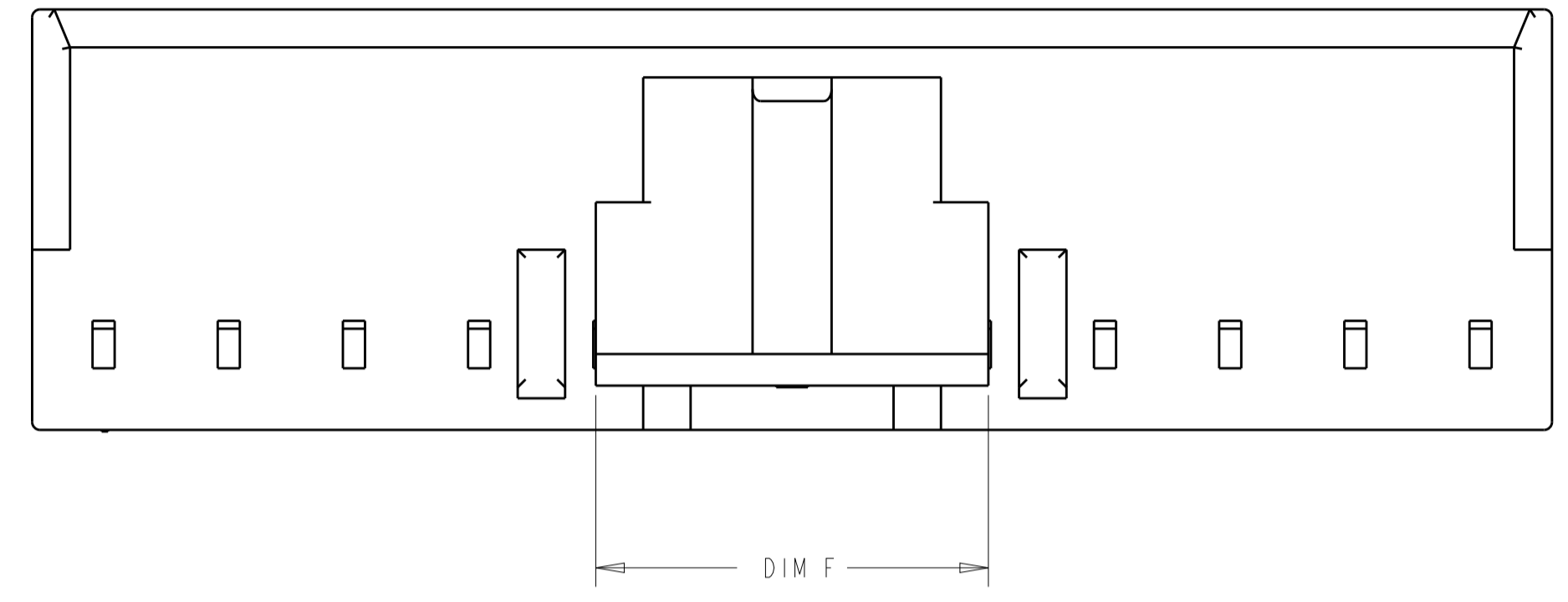
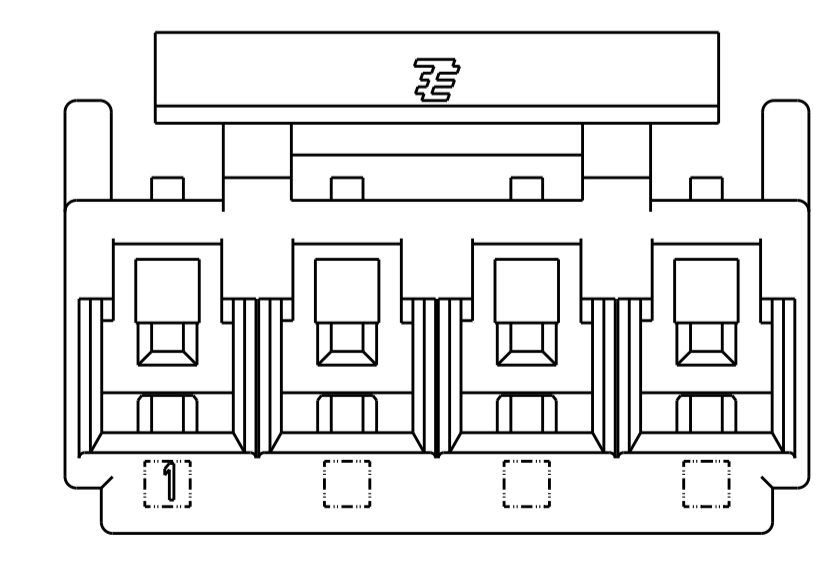
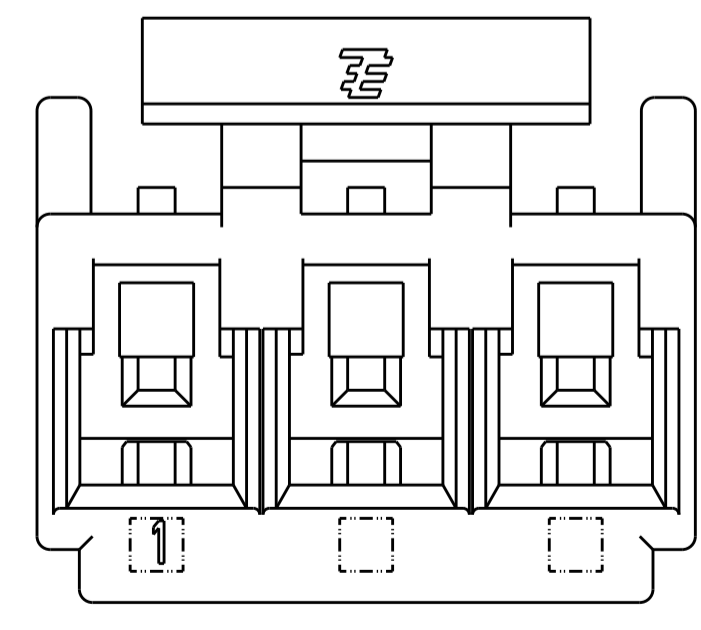
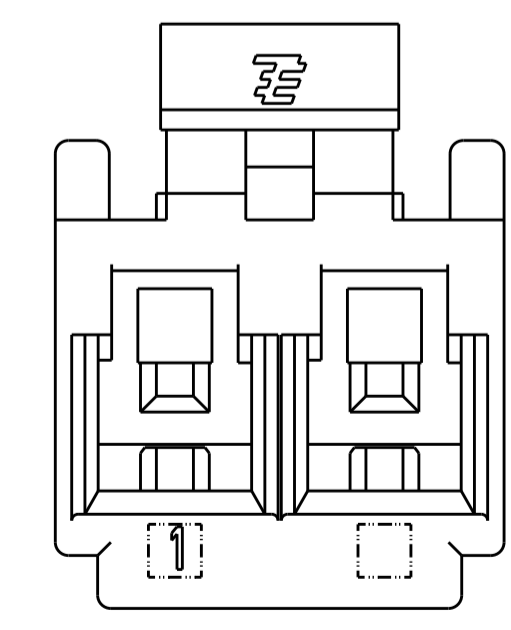
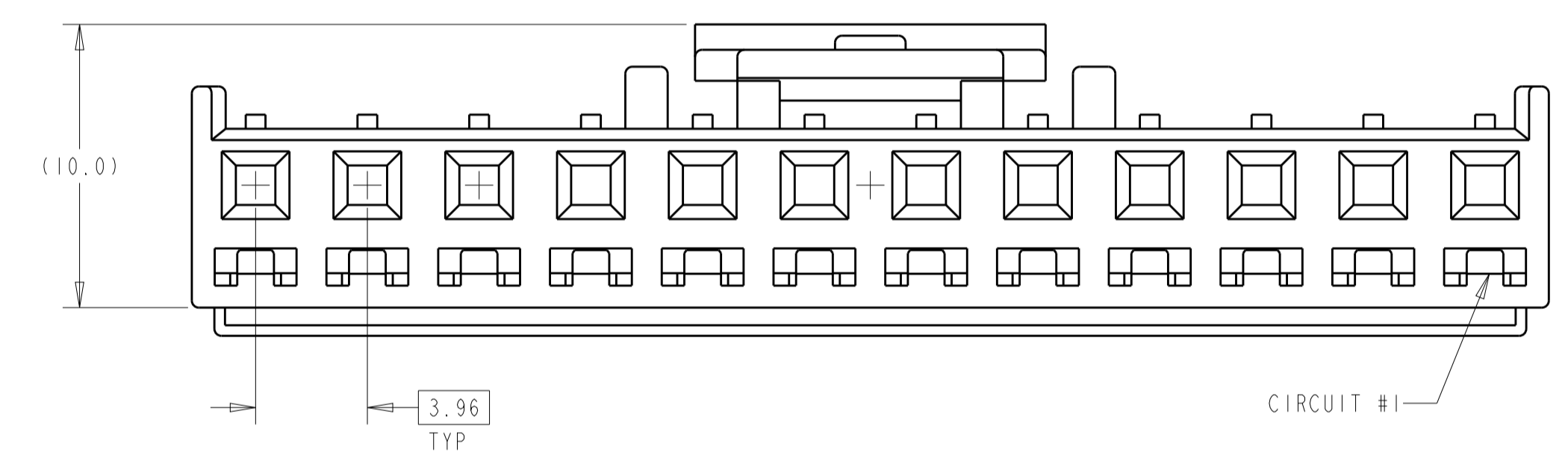
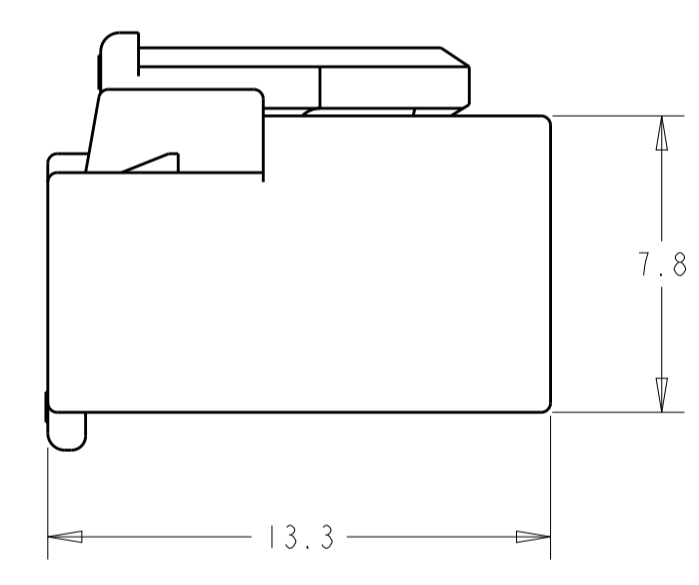
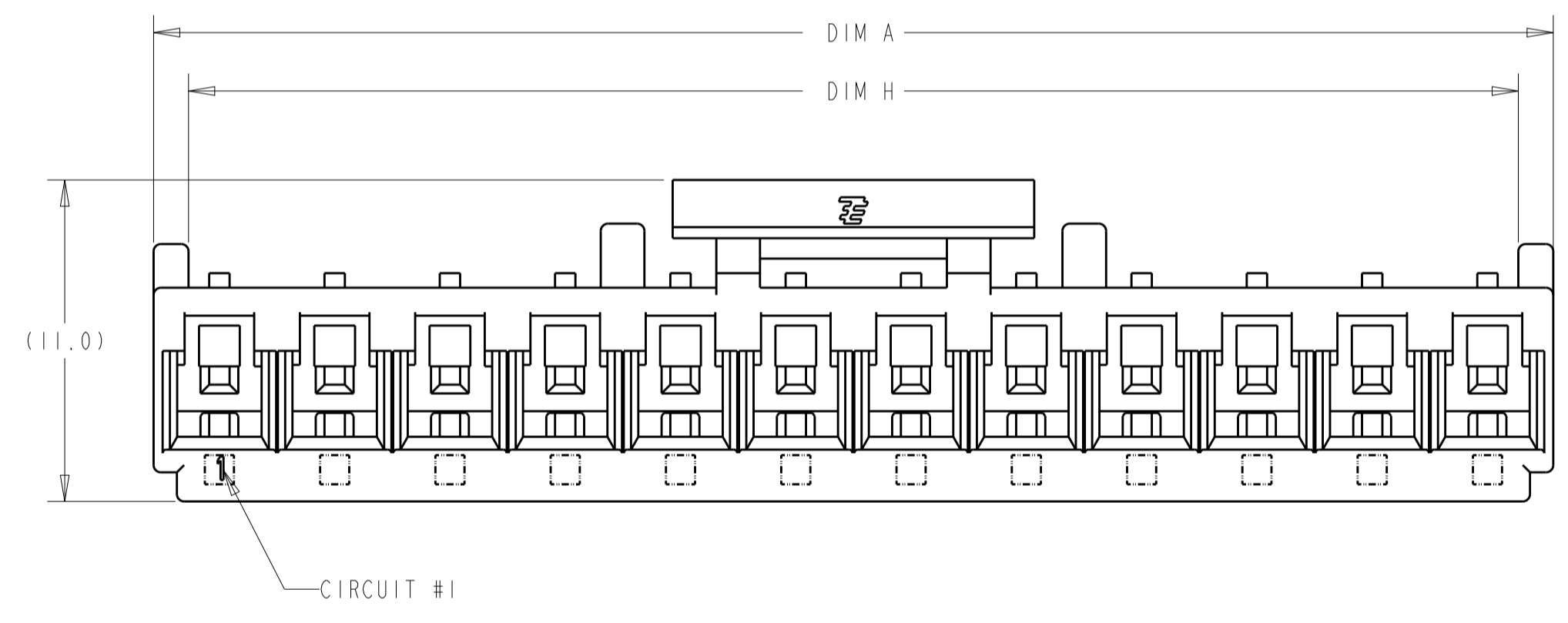


LOC		DIST		REVISIONS			
AA	00	P	LTN	DESCRIPTION	DATE	DWN	APVD
		B		REVISED PER ECR-14-007967	19JUN2014	NK	MS



△ MATERIAL: NYLON, UL94V-0 FLAME RETARDENT, COLOR: ORANGE
 2 HOUSINGS TO USE "RETAINER":
 "BREAKAWAY RETAINER" P/N: 1-2132782-2 (12 POSITION),
 12 POSITION PART TO BE SEPERATED AT APPROPRIATE NOTCHES TO FIT
 2 POSITION THRU 11 POSITION HOUSINGS
 "NORMAL RETAINER" P/N: X-1744544-X
 WHERE XX IS THE NUMBER OF POSITIONS.



45.68	12.42	48.08	12	1-1744493-2
41.72	8.46	44.12	11	1-1744493-1
37.76	12.42	40.16	10	1-1744493-0
33.80	8.46	36.20	9	1744493-9
29.84	12.42	32.24	8	1744493-8
25.88	8.46	28.28	7	1744493-7
21.92	12.42	24.32	6	1744493-6
17.96	8.46	20.36	5	1744493-5
14.36	12.42	16.40	4	1744493-4
10.40	8.46	12.44	3	1744493-3
6.44	4.50	8.48	2	1744493-2

THIS DRAWING IS A CONTROLLED DOCUMENT. DWN: KIRAN HOLAL 13AUG2012
 CHK: MACE SAM 13AUG2012
 APVD: MACE SAM 13AUG2012

STE TE Connectivity

NAME: RECEPTACLE HOUSING, ECONOMY POWER II, 3.96 CENTERLINE WITH RETAINING FEATURES ORANGE

SIZE: A1 CAGE CODE: 00779 DRAWING NO: 1744493 RESTRICTED TO: -
 SCALE: 6:1 SHEET: 1 OF 1 REV: B

MATERIAL: NYLON
 DIMENSIONS: mm
 TOLERANCES UNLESS OTHERWISE SPECIFIED:
 0 PLC ±
 1 PLC ±0.5
 2 PLC ±0.30
 3 PLC ±
 4 PLC ±0.0001
 ANGLES ±0.001

Customer Drawing