

Ratings
 Voltage: 60 V
 Current: 1 A
 Waterproof: IP 67

Operating Temperature Range
 -40 ~ 85 °C

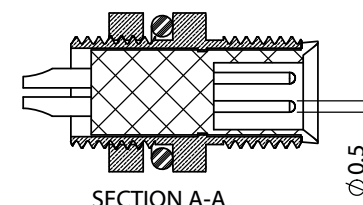
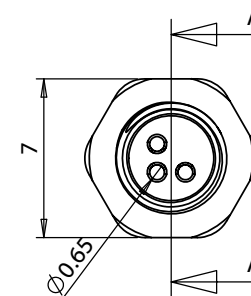
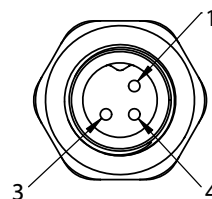
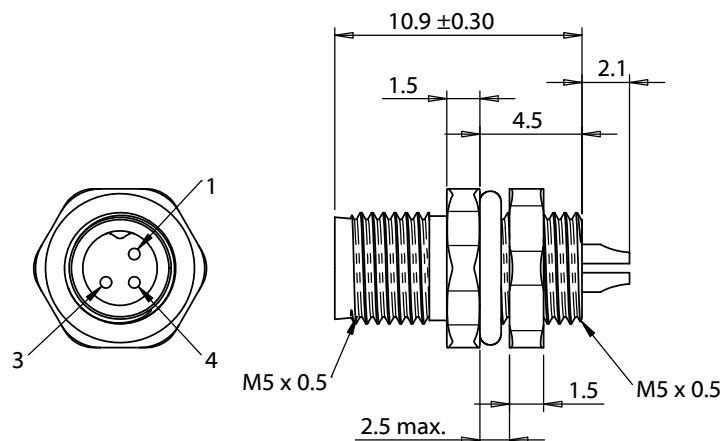
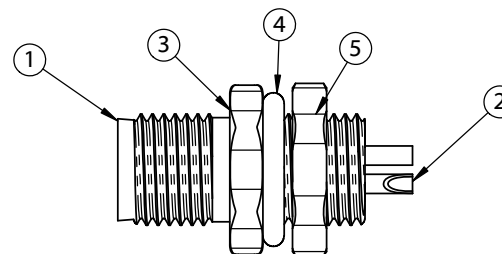
Materials
 ① Insulator: Nylon 66 + 30% glass fiber, black
 ② Pin: brass, gold-flashing
 ③ Shell: brass, nickel plated
 ④ O-ring: rubber
 ⑤ Hexagonal nut: brass, nickel plated

Electrical Requirements
 Dielectric strength: 1 min @ 500 Vac
 Insulation resistance: $10^8 \Omega$ min
 Contact resistance: 10 m Ω or less

Mechanical Requirements
 Insertion force: 0.82 kgf max
 Withdrawal force: 0.62 kgf max
 Life cycle: 500 mating cycles

Environmental Requirements
 Cold test: -25 °C for 2 hours without deformation
 Heat test: 85 °C for 16 hours while maintaining minimum $10^8 \Omega$ insulation resistance

Assembly info
 Wire guage: 26 AWG max ($\varnothing 0.55$ mm)
 Panel cutout: $\varnothing 5.1$ mm recommended



Revision:	Date:	Description:
A	8/7/2018	Initial release
A1	12/10/2018	Updated notes

Prepared:
 AG
Digitally signed by AG
 Date: 2021.03.31
 11:05:43 -07'00'

Verified:
 AW
Digitally signed by AW
 Date: 2021.03.31
 13:43:25 -07'00'

Dimensions are in millimeters.
 Tolerances:
 X: ± 0.3 mm
 X.X: ± 0.1 mm
 X.XX: ± 0.05 mm

Notes:
 RoHS compliant

Function test: no open, no short circuit, no intermittent

Description:
 Connector, 3 pin M5 plug, 5x13mm, gold plated, panel mount, solder cup, IP67

TENSILITY

tel 1.541.323.3228 800 877.670.7118
 fax 1.541.323.4202 web tensility.com

Size: A Part number: 54-00093

Scale: 3:1 Sheet 1 of 1