



ANGLE

SKU:U005



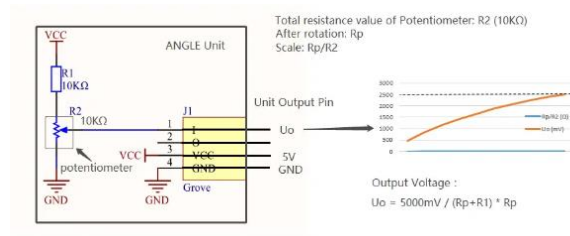
Description

ANGLE is a rotary switch Unit, simply having a **10K** potentiometer inside. This unit can be used for Continuous single dialing control, such as volume, brightness, or motor speed.

A potentiometer is a manually adjustable, variable resistor with three terminals. Two terminals are connected to a resistive element, the third terminal is connected to an adjustable wiper. The position of the wiper determines the output voltage. The output voltage is captured and converted by AD on ESP32 on port B.

In M5Stack product system, Normally the Grove color indicates the type of communications.

- Black: Single BUS (AD ,DA ,GPIO)
- Red: I2C
- Blue : Uart
- White : Others(depends)



The Unit's Grove interface is black, specify it is an analog interface that should be connected to the M5Core's GROVE B interface.

Product Features

- Output voltage range: 0 ~ 2500mV
- GROVE interface, support [UIFlow](#) and [Arduino](#)
- Two Lego-compatible holes
- Product Size : 32.2mm x 24.2mm x 21.7mm
- Product weight : 5.6g

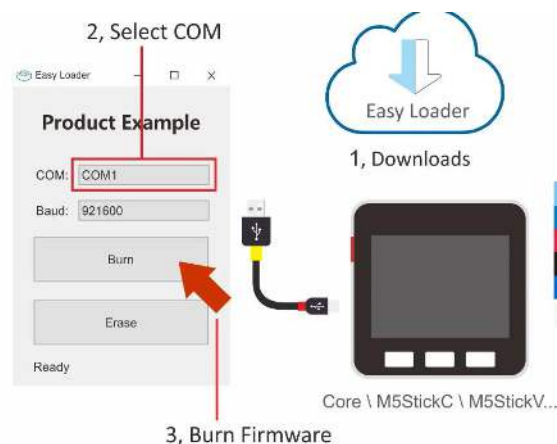
Include

- 1x ANGLE Unit
- 1x Grove Cable

EasyLoader

EasyLoader is a concise and fast program writer, which has a built-in case program related to the product. It can be burned to the main control by simple steps to perform a series of function verification. Please install the corresponding driver according to the device type.

M5Core host [Please click here to view the CP210X driver installation tutorial](#),
M5StickC/V/T/ATOM series can be used without driver)



Example

1. Arduino IDE

The code below is incomplete. To get the complete code, please click [here](#)

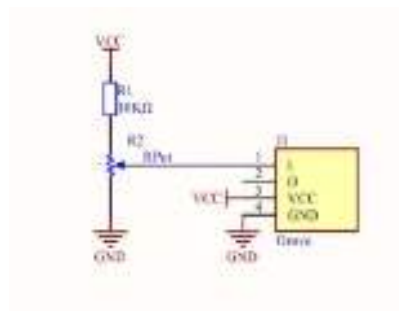


2. UIFlow

If you want the complete code, please click [here](#)



Schematic



PinMap

M5Core(GROVE B)	GPIO36	GPIO26	5V	GND
ANGLE Unit	Sensor Pin		5V	GND

<https://docs.m5stack.com/#/en/unit/angle/4-10-20>