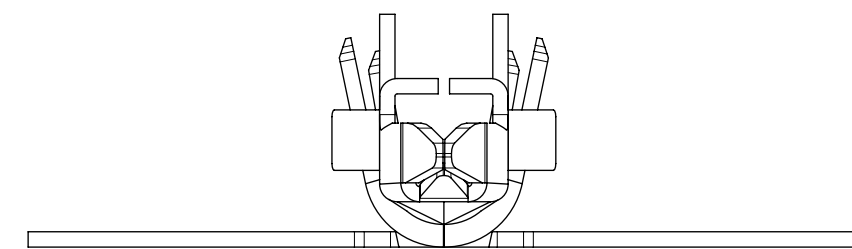


PART LEGEND

172765- * 1 2 *

SERIES	FORM
WIRE GAGE (INS OD RANGE)	1 = CHAIN
1 = 16 (Ø1.98-2.55)	2 = LOOSE
2 = 16 (Ø2.55-3.14)	MATERIAL
3 = 18-20 (Ø1.42-2.10)	2 = BRASS
4 = 18-20 (Ø2.10-2.85)	PLATING
5 = 22-24 (Ø1.07-1.65)	1 = HOT TIN DIP (PRE-PLATE)
6 = 22-24 (Ø1.65-2.38)	

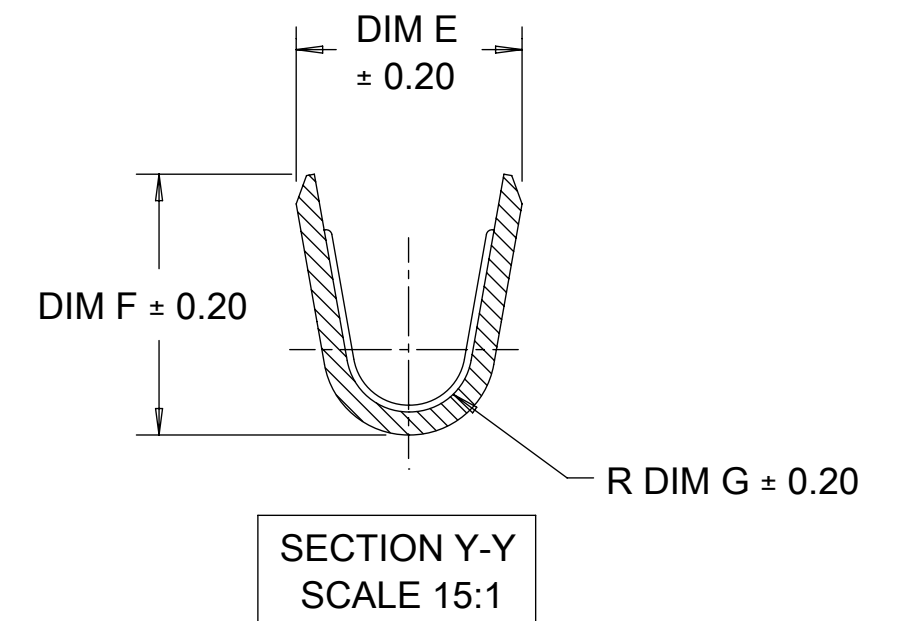
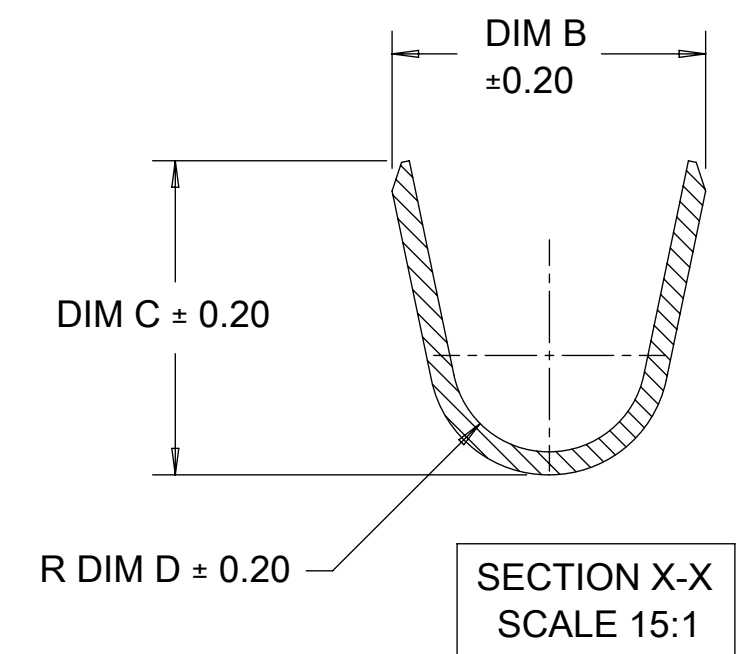
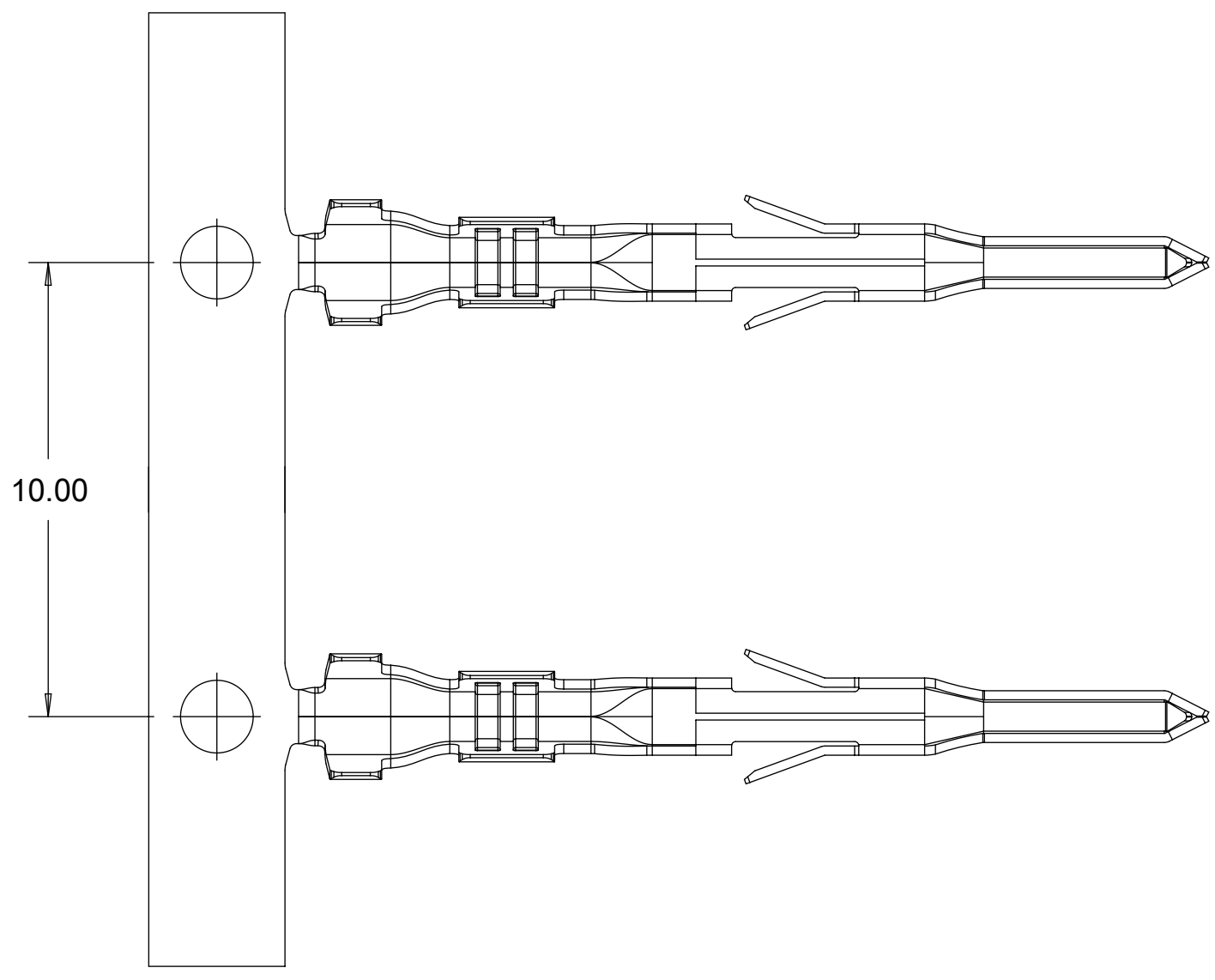
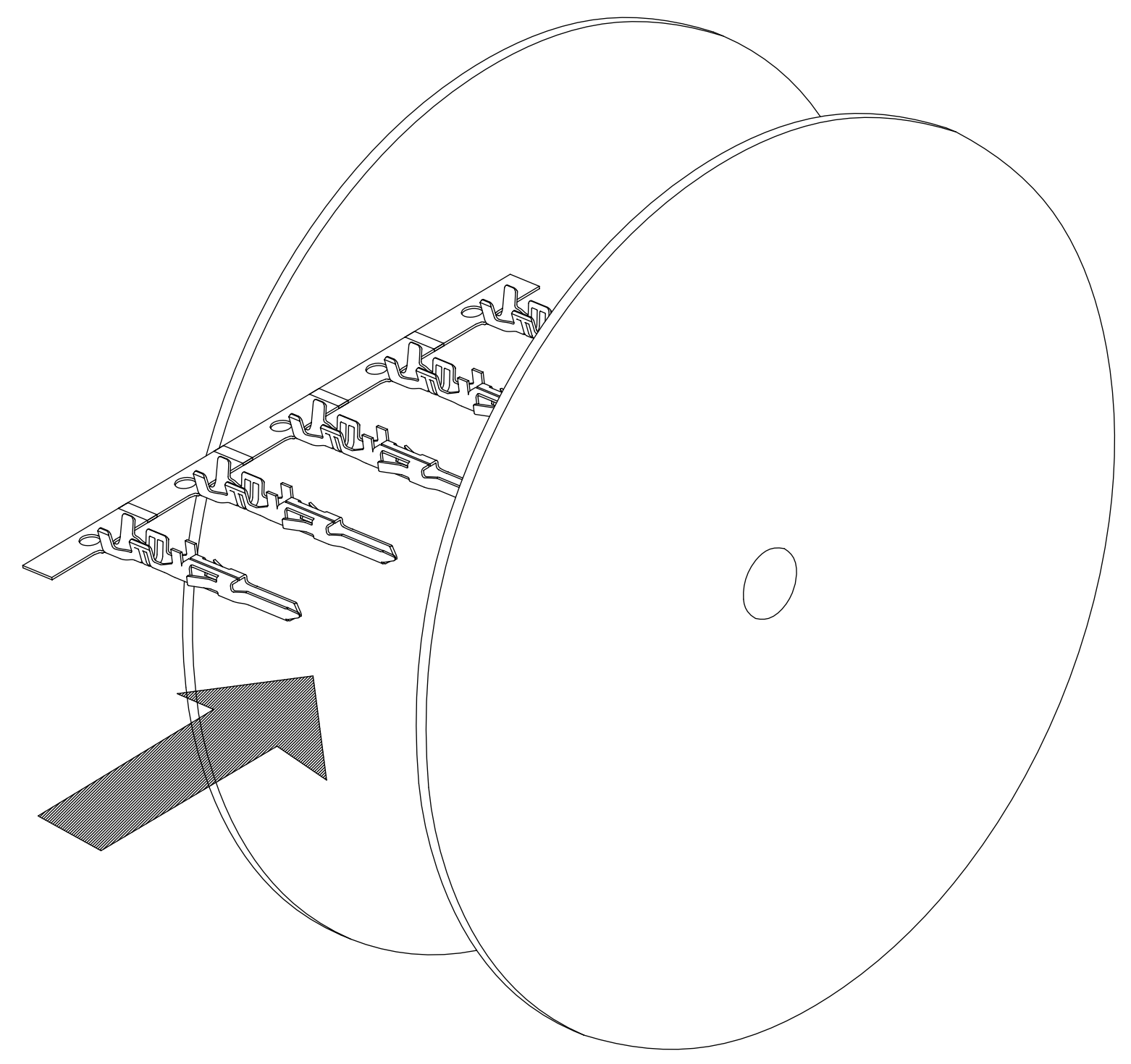


NOTES:

- MATERIAL:
BRASS ALLOY
- PRE-PLATED: HOT TIN DIP, OVERALL 2.5 m MIN
- PRODUCT SPECIFICATION: PS-172718-0000
APPLICATION SPECIFICATION: AS-172718-0000
- THIS TERMINAL TO BE USED WITH HOUSING SERIES 172762 AND 172767.
- THIS TERMINAL MATES WITH FEMALE CRIMP TERMINAL SERIES 5556 & 172718.
- PACKAGING: REELS TO BE PACKED PER PK-172765-0000
LOOSE TERMINALS PER PK-172765-0001
- PART CONFORMS TO CLASS 'B' REQUIREMENTS OF COSMETIC SPEC PS-45499-002.
- WHEN TERMINALS ARE INSTALLED IN THE HOUSING THE WIRE ARE TO BE DRESSED IN SUCH A MANNER TO ALLOW THE TERMINALS TO FLOAT FREELY IN THE HOUSING POCKET
- THIS TERMINALS IS DESIGNED FOR SINGLE WIRE CRIMPING.

THIS DRAWING CONTAINS INFORMATION THAT IS PROPRIETARY TO MOLEX ELECTRONIC TECHNOLOGIES, LLC AND SHOULD NOT BE USED WITHOUT WRITTEN PERMISSION											
DIMENSION UNITS		SCALE		CURRENT REV DESC:						molex	
mm		NTS									
GENERAL TOLERANCES (UNLESS SPECIFIED)				EC NO: 746659						CRIMP TERMINAL PLUG MINI-FIT TPA2 AND SIGMA	
ANGULAR TOL ± °				DRWN: JERRYW8 2023/04/19							
4 PLACES ±				CHK'D: XQZHANG 2023/04/21						PRODUCT CUSTOMER DRAWING	
3 PLACES ±				APPR: XQZHANG 2023/04/21							
2 PLACES ± 0.2				INITIAL REVISION:						DOCUMENT NUMBER	
1 PLACE ± 0.2				DRWN: TGREGORI 2014/12/23							
0 PLACES ±				APPR: TGREGORI 2015/01/06						SD-172765-0000	
DRAFT WHERE APPLICABLE MUST REMAIN WITHIN DIMENSIONS		THIRD ANGLE PROJECTION		DRAWING		SERIES		MATERIAL NUMBER		CUSTOMER	
				C-SIZE		172765		SEE TABLE		GENERAL MARKET	
								SHEET NUMBER		1 OF 2	

	12	11	10	9	8	7	6	5	4	3	2	1
	MOLEX PART NUMBER	BASE MAT'L	WIRE AWG	COMBINATION WIRE AWG	WIRE OD RANGE	DIM B	DIM C	DIM D	DIM E	DIM F	DIM G	
H CHAIN	172765-1121	BRASS	16	NA	1.98-2.55	3.27	3.43	1.00	2.35	2.90	0.70	
	172765-2121			NA	2.55-3.14	3.74	3.66	1.43				
	172765-3121			NA	1.42-2.10	2.77	2.77	0.85				
	172765-4121		18-20	22+22 AWG	2.10-2.85	3.36	3.37	1.25	2.00	2.30	0.55	
	172765-5121			NA	1.07-1.65	2.33	2.27	0.70	1.68	1.65	0.40	
	172765-6121		22-24	NA	1.65-2.38	3.14	3.09	1.00	2.35	2.90	0.70	
172765-1122	16			NA	1.98-2.55	3.27	3.43	1.00	2.00	2.30	0.55	
172765-2122			NA	2.55-3.14	3.74	3.66	1.43	1.68	1.65	0.40		
172765-3122			NA	1.42-2.10	2.77	2.77	0.85	2.00	2.30	0.55		
G LOOSE	172765-4122		18-20	NA	2.10-2.85	3.36	3.37	1.25	2.35	2.90	0.70	
	172765-5122			NA	1.07-1.65	2.33	2.27	0.70	1.68	1.65	0.40	
	172765-6122		22-24	NA	1.65-2.38	3.14	3.09	1.00	2.00	2.30	0.55	
		NA		1.07-1.65	2.33	2.27	0.70	1.68	1.65	0.40		



THIS DRAWING CONTAINS INFORMATION THAT IS PROPRIETARY TO MOLEX ELECTRONIC TECHNOLOGIES, LLC AND SHOULD NOT BE USED WITHOUT WRITTEN PERMISSION																	
DIMENSION UNITS		SCALE		CURRENT REV DESC:													
mm		NTS															
GENERAL TOLERANCES (UNLESS SPECIFIED)				EC NO: 746659				CRIMP TERMINAL PLUG MINI-FIT TPA2 AND SIGMA									
ANGULAR TOL ± °				DRWN: JERRYW8 2023/04/19													
4 PLACES ±				CHK'D: XQZHANG 2023/04/21				PRODUCT CUSTOMER DRAWING									
3 PLACES ±				APPR: XQZHANG 2023/04/21													
2 PLACES ± 0.2				INITIAL REVISION:				DOCUMENT NUMBER SD-172765-0000									
1 PLACE ± 0.2				DRWN: TGREGORI 2014/12/23													
0 PLACES ±				APPR: TGREGORI 2015/01/06				DOC TYPE DOC PART REVISION PSD 000 D4									
DRAFT WHERE APPLICABLE MUST REMAIN WITHIN DIMENSIONS				THIRD ANGLE PROJECTION		DRAWING SERIES						MATERIAL NUMBER CUSTOMER		SHEET NUMBER			
DOCUMENT STATUS		P1		RELEASE DATE		2023/04/21 07:41:24		C-SIZE		172765		SEE TABLE		GENERAL MARKET		2 OF 2	