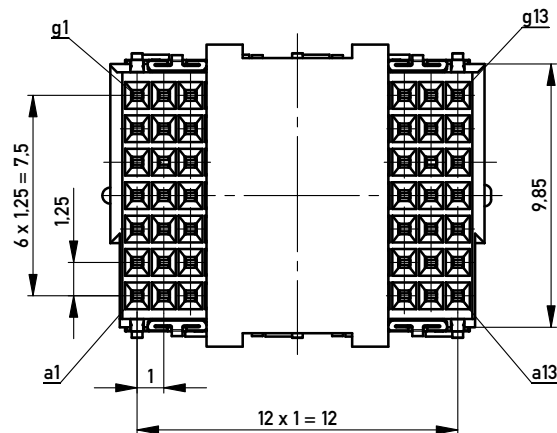
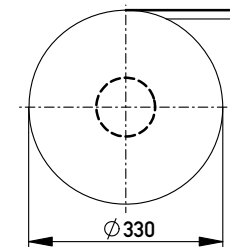
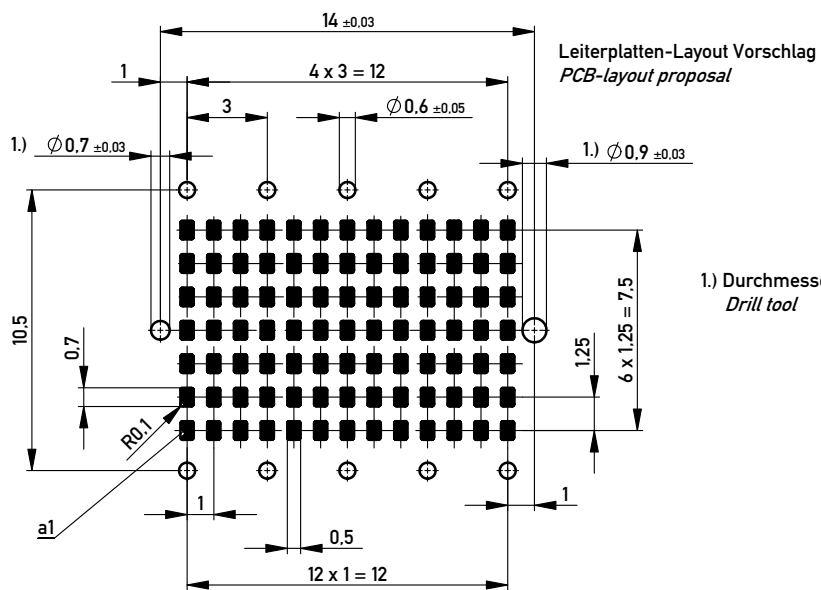
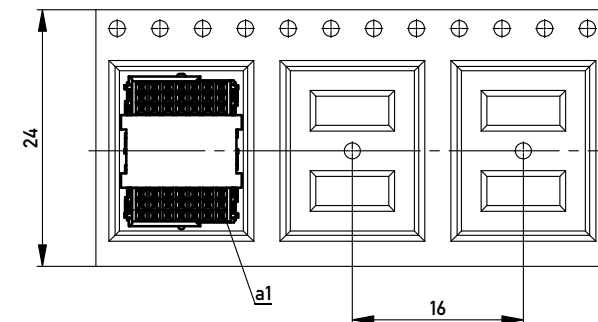


Verpackt in Gurtverpackung
Tape on Reel Packaging
Verpackungseinheit: 440 Stück
Packaging unit: 440 pcs



Abspulrichtung - Reel off Direction



Leiterplatten-Layout Vorschlag
PCB-layout proposal

1.) Durchmesser des Bohrers
Drill tool

Anforderungsstufe 1
Performance Level 1

Kontaktbereich vergoldet
Mating Area gold plating

Anschlussbereich verzinnt 4-6 µm
Terminal Area 4-6 µm tin plating

Koplanarität der Anschlüsse ≤ 0,1 mm
Coplanarity Area of Termination ≤ 0,1 mm

Information:	Tolerances	 All Dimensions in mm	Scale	5:1
	All rights reserved. Only for Information. To ensure that this is the latest version of this drawing, please contact one of the ERNI companies before using.		Designation	
Subject to modification without prior notice. Drawing will not be updated.		Federleiste THR, 91-pol Female Con. THR, 91 cont.		
www.ERNI.com		234097		I
f	18.02.2013	Class		A3
Index	Date	MSPEED		

Copyright by ERNI GmbH. Proprietary notice pursuant to ISO 9006 to be observed.