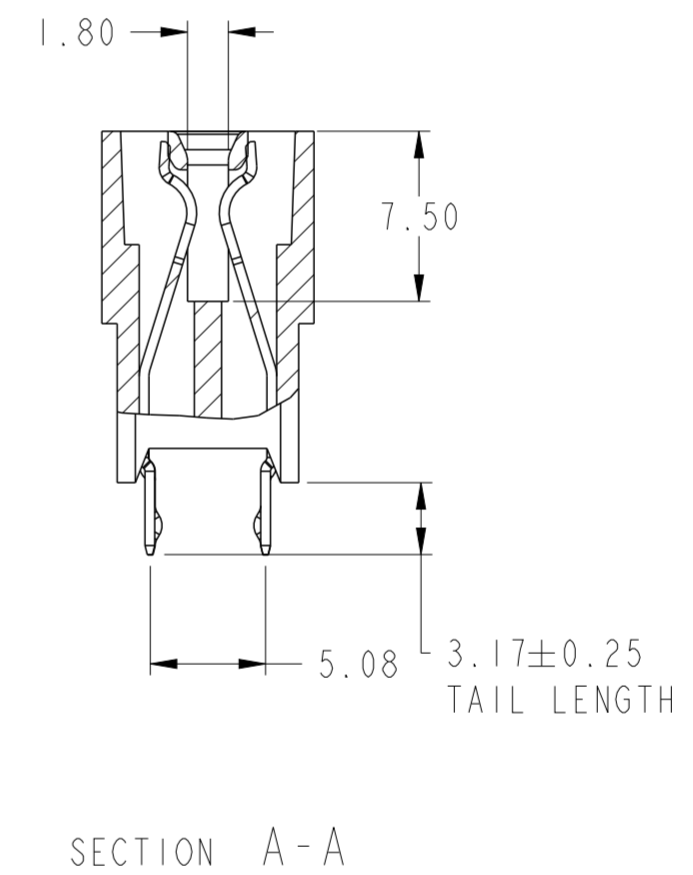
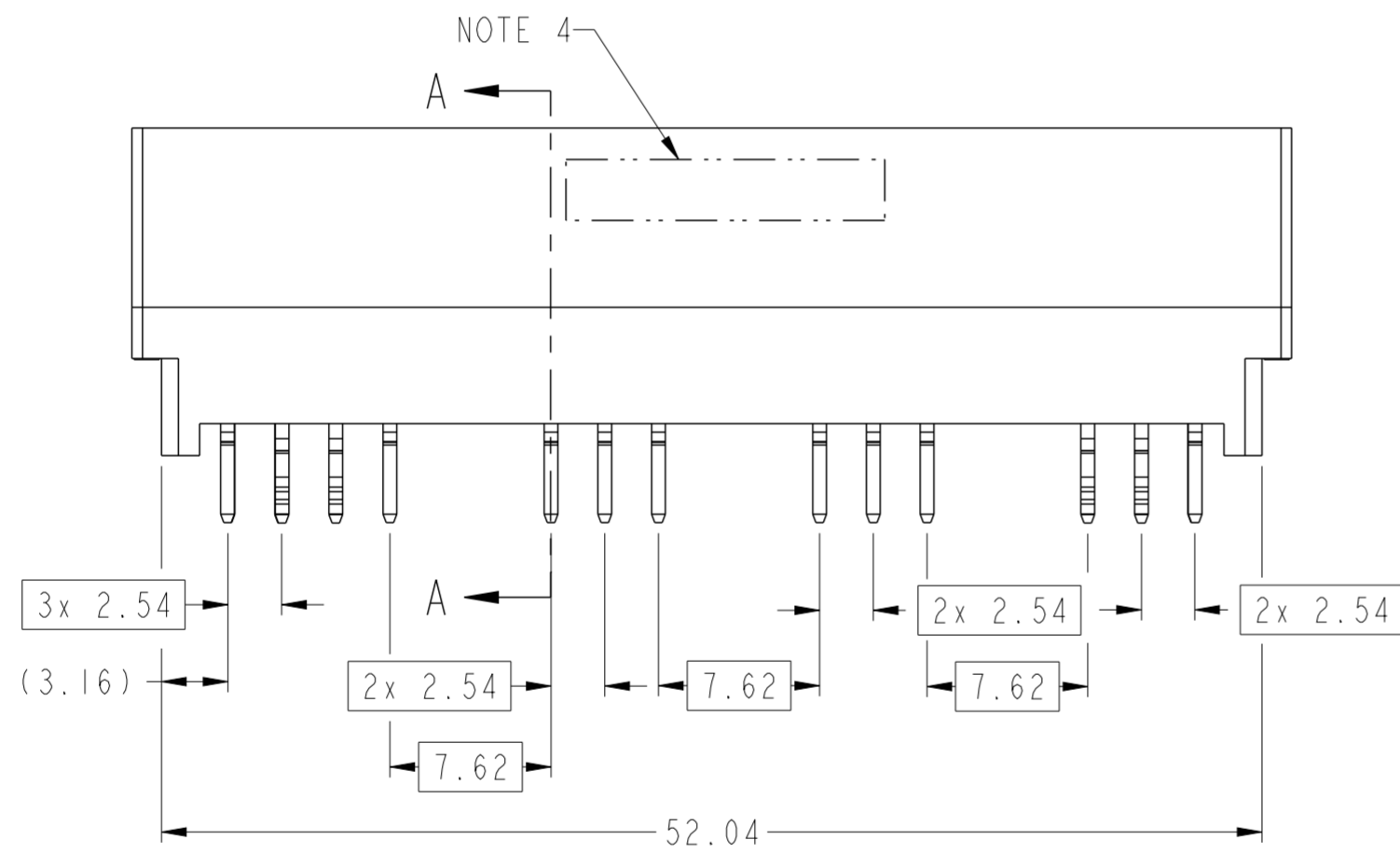
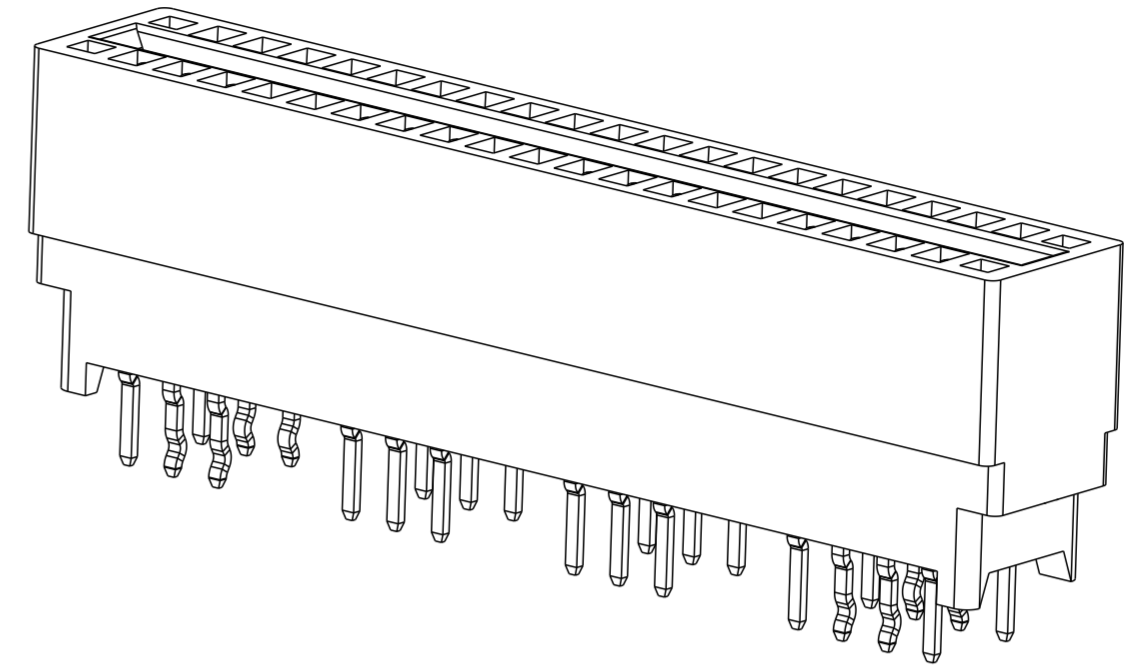
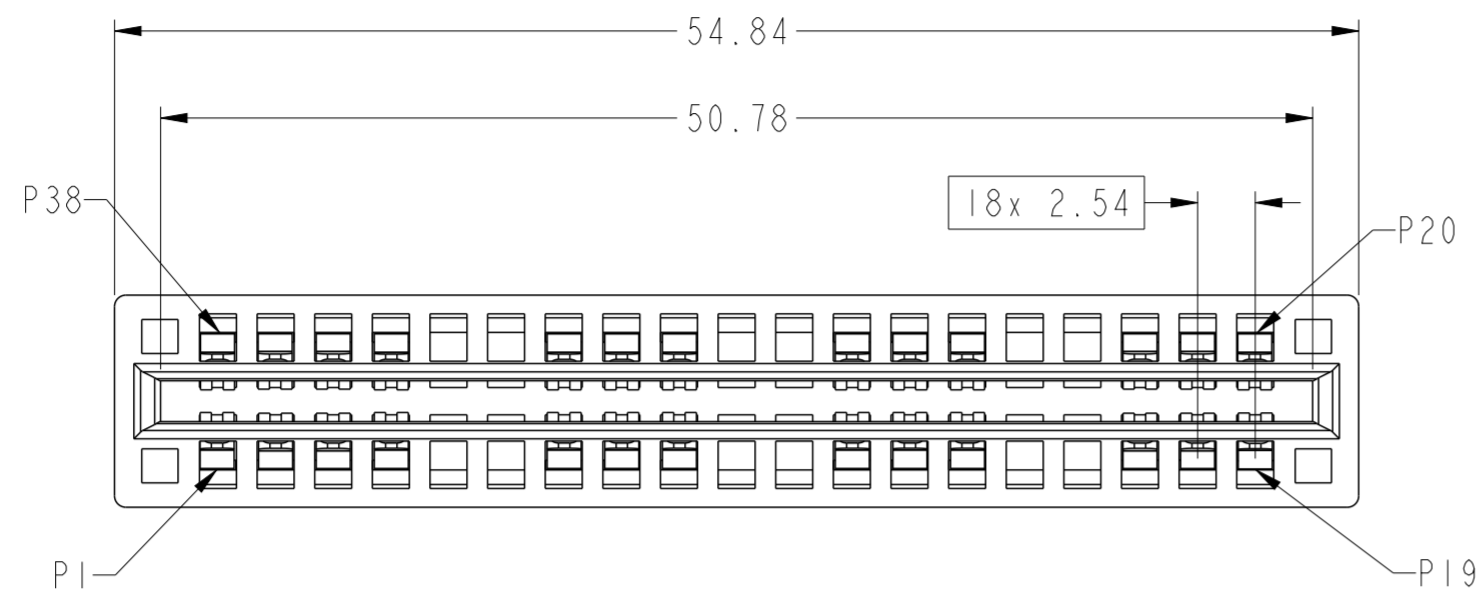


PART NUMBER 10046971-052LF



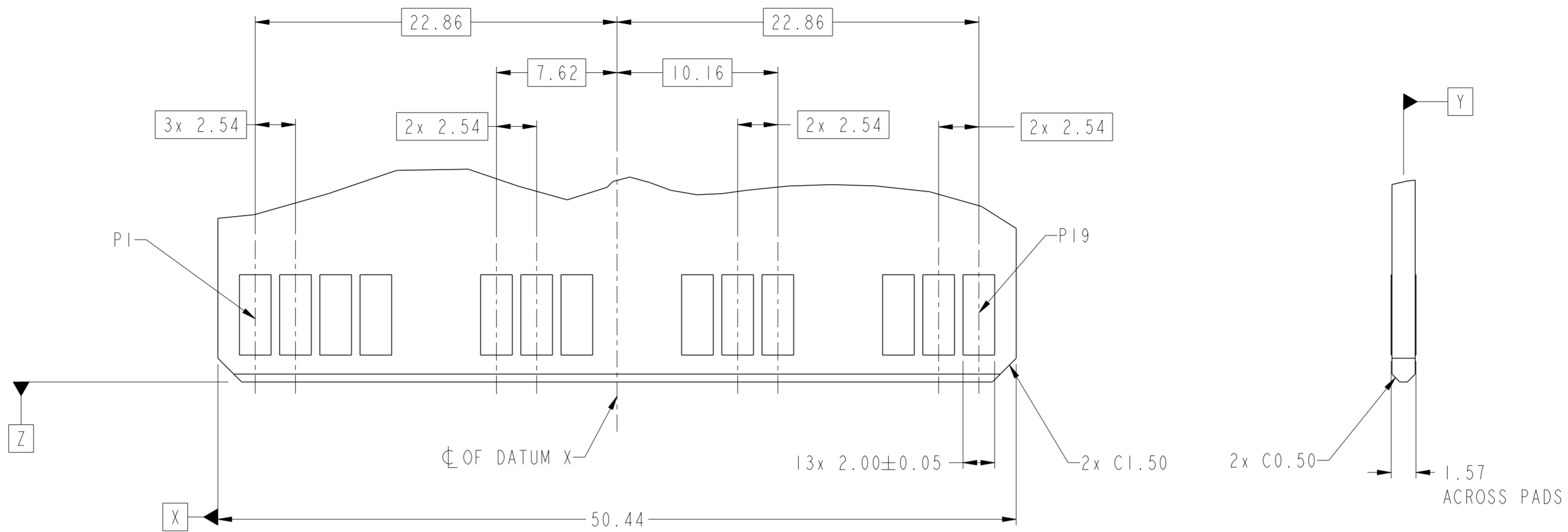
- NOTE:
- MATERIAL:
HOUSING: HIGH TEMPERATURE THERMOPLASTIC,
UL 94 V-0 FLAME RETARDANT.
TERMINAL: HIGH CONDUCTIVITY COPPER ALLOY.
 - PACKING SPEC. GS-14-937
 - PRODUCT SPEC. GS-12-338.
 - MANUFACTURER'S NAME, P/N AND DATE CODE
TO APPEAR ON THIS SURFACE AS PER GS-24-007.
 - PART NUMBER 10046971-052LF MEETS EUROPEAN UNION DIRECTIVE AND OTHER COUNTRY
REGULATIONS AS DESCRIBED IN GS-22-008.
THE HOUSING WILL WITHSTAND EXPOSURE TO 260°C PEAK TEMPERATURE FOR 10 SECONDS IN A
WAVE SOLDER APPLICATION WITH A CIRCUIT BOARD.
 - THE PINS 5, 6, 10, 11, 15, 16, 23, 24, 28, 29, 33, 34 ARE OMITTED.

spec ref	*	dr	Jackie Huang	2015/02/11	projection	MM	size	A2	scale	3:1	
tolerance std	ISO 406 ISO 1101	eng	Hai-Ling Liu	2015/04/06			ecn no	-			
surface	ISO 1302	chr	Terris Liu	2015/04/06			rel level	Released			
linear	0.X ±0.5 0.XX ±0.25 0.XXX ±0.100	appr	Pei-Ming Zheng	2015/04/06	product family			dwg no	10046971-052	rev	A
angular	0° ±2°	www.fci.com	cat. no.	PEC V/T STB 2x19P 12P OMITTED		Product - Customer Drw		sheet 1 of 2			

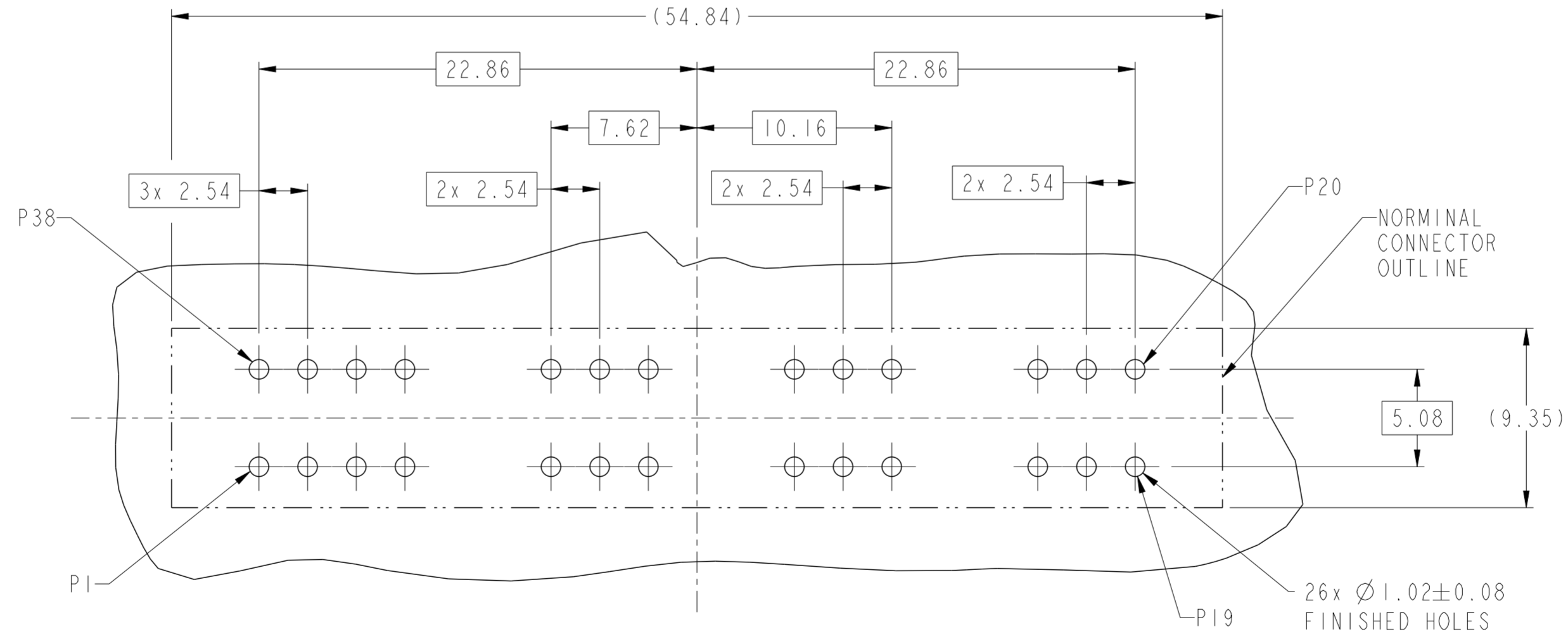
PDS: Rev :A

STATUS:Released

Printed: Apr 07, 2015



RECOMMENDED EDGE CARD LAYOUT



RECOMMENDED HOST BOARD LAYOUT

spec ref	*	dr	Jackie Huang	2015/02/11	projection	MM	size	A2	scale	2:1
tolerance std	ISO 406 ISO 1101	eng	Hai-Ling Liu	2015/04/06			ecn no	-	rel level	Released
TOLERANCES UNLESS OTHERWISE SPECIFIED		chr	Terris Liu	2015/04/06						
surface	ISO 1302	appr	Pei-Ming Zheng	2015/04/06	product family		dwg no	10046971-052	rev	A
linear	0.X ±0.5 0.XX ±0.25 0.XXX ±0.100			title PEC V/T STB 2x19P 12P OMITTED		Product - Customer Drw		sheet 2 of 2		
angular	0° ±2°	www.fci.com		PDS: Rev :A		STATUS:Released		Printed: Apr 07, 2015		



Copyright FCI.