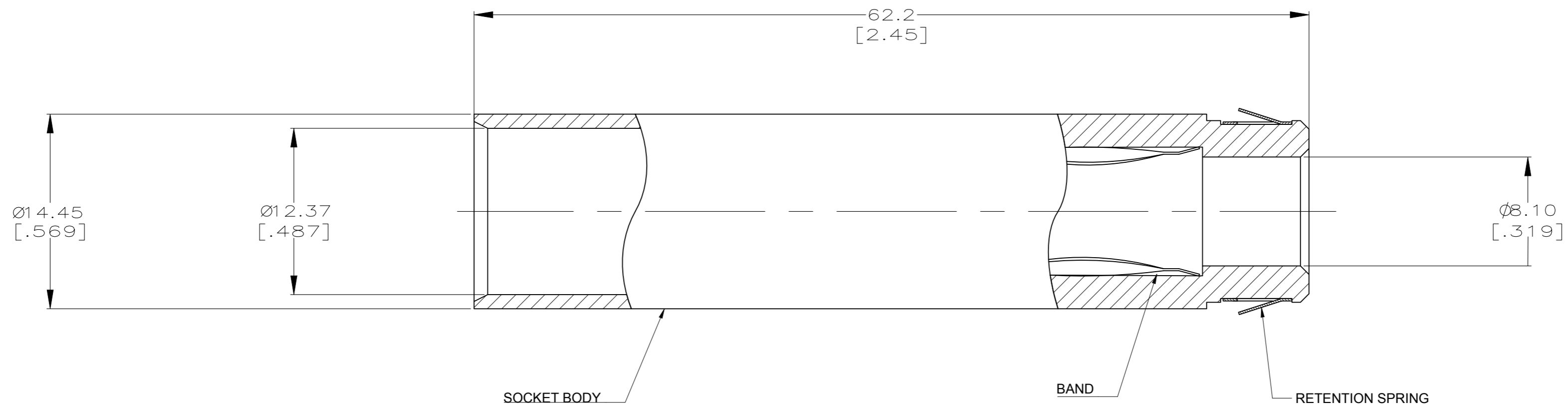




REVISIONS

P	LTR	DESCRIPTION	DATE	DWN	APVD
-		SEE SHEET 1	-	-	-



THIS DRAWING IS A CONTROLLED DOCUMENT.		DWN J.TURNER 09-10-93	<b>TE</b> TE Connectivity																			
DIMENSIONS: INCHES		CHK A.L.G. 09-10-93																				
TOLERANCES UNLESS OTHERWISE SPECIFIED:		APVD S.R.S. 09-10-93	NAME SOCKET ASSY, 2-35mm, CRIMP																			
<table border="1"> <tr><td>0 PLC</td><td>±</td><td>-</td></tr> <tr><td>1 PLC</td><td>±</td><td>-</td></tr> <tr><td>2 PLC</td><td>±</td><td>0.40[.015]</td></tr> <tr><td>3 PLC</td><td>±</td><td>0.25[.010]</td></tr> <tr><td>4 PLC</td><td>±</td><td>-</td></tr> <tr><td>ANGLES</td><td>±</td><td>-</td></tr> </table>		0 PLC	±	-	1 PLC	±	-	2 PLC	±	0.40[.015]	3 PLC	±	0.25[.010]	4 PLC	±	-	ANGLES	±	-	PRODUCT SPEC -	SIZE A2	
0 PLC	±	-																				
1 PLC	±	-																				
2 PLC	±	0.40[.015]																				
3 PLC	±	0.25[.010]																				
4 PLC	±	-																				
ANGLES	±	-																				
MATERIAL		APPLICATION SPEC -	CAGE CODE 00779	DRAWING NO C=193673																		
FINISH		WEIGHT -	SCALE NTS	SHEET 2 OF 2																		
CUSTOMER DRAWING			RESTRICTED TO -	REV E																		