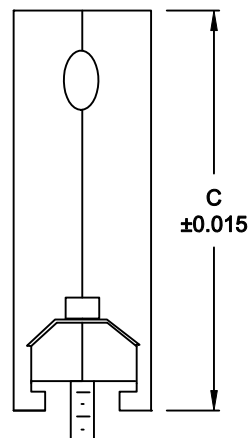
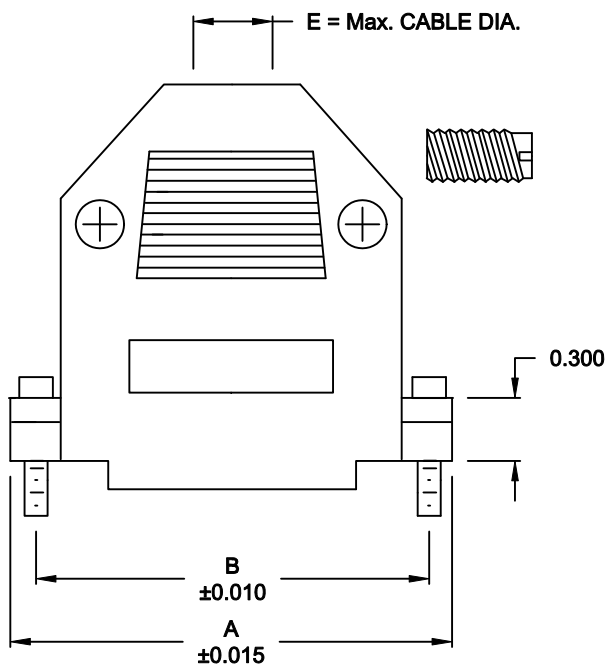


DESCRIPTION: **978 SERIES D-SUB BACKSHELL**

**BACKSHELL KIT INCLUDES:**

- (2) BACKSHELL HALVES
- (2) SADDLE WASHERS
- (2) HOUSING SCREWS
- (2) 4-40 MOUNTING SCREWS
- (2) 4-40 HOUSING NUTS
- (1) STRAIN RELIEF THREADED ROD



DIMENSIONS (IN.)					
No. OF PINS	A	B	C	D	E
9	1.220	0.984	1.693	0.640	0.276
	30.99	24.99	43.00	16.26	7.01
15	1.535	1.312	1.693	0.640	0.315
	38.99	33.32	43.00	16.26	8.00
25	2.118	1.852	1.929	0.640	0.374
	53.80	47.04	49.00	16.26	9.50
37	2.756	2.500	1.929	0.640	0.433
	70.00	63.50	49.00	16.26	11.00
50	2.650	2.406	1.909	0.745	0.551
	67.31	61.11	48.49	18.92	14.00

**978-YYY-0Y0RYY1**

SERIES \_\_\_\_\_  
 POSITIONS \_\_\_\_\_  
 009 \_\_\_\_\_  
 015 \_\_\_\_\_  
 025 \_\_\_\_\_  
 037 \_\_\_\_\_  
 050 \_\_\_\_\_  
 MATERIAL \_\_\_\_\_  
 010 = PLASTIC  
 020 = METALIZED PLASTIC  
 RoHS COMPLIANT \_\_\_\_\_  
 R = HIGH TEMP. PROCESS  
 COLOR \_\_\_\_\_  
 03 = GRAY  
 12 = METAL(IZED)  
 PUT-UP \_\_\_\_\_  
 1 = KIT

**METALIZED PLASTIC:**

MATERIAL: ABS HIGH TEMP. 94HB  
 METALIZED PLATING: NICKEL OVER COPPER

**PLASTIC:**

MATERIAL: ABS HIGH TEMP. 94HB

**RoHS COMPLIANT**

	THESE DRAWINGS AND SPECIFICATIONS ARE THE PROPERTY OF NorComp AND SHALL NOT BE REPRODUCED, COPIED OR USED AS THE BASIS FOR THE MANUFACTURE OR SALE OF APPARATUS WITHOUT WRITTEN PERMISSION.		DRAWN: <b>PAM JENKINS</b>	DATE: <b>7-28-05</b>
			CHECKED:	DATE:
<b>NorComp</b>			SCALE	SHEET OF
			REV <b>3</b>	
			DWG NO.	<b>978-YYY-0Y0RYY1</b>