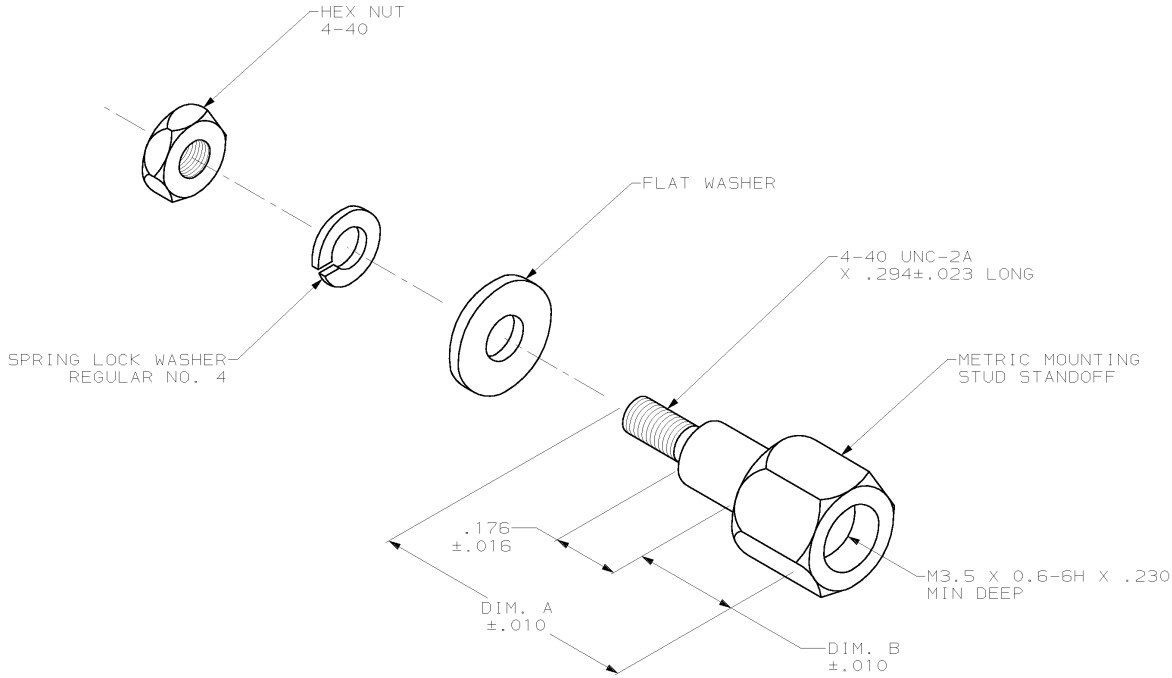


| LOC | | DIST | | REVISIONS | | | |
|-----|-----|-------------|-----------------------------|-----------|------|----|--|
| P | LTR | DESCRIPTION | DATE | OWN | APVD | | |
| AA | 20 | J | REVISED PER EC 0515-0411-02 | 25NOV02 | DD | RM | |



⚠ MATERIAL: METRIC MOUNTING STUD - BLACK OXIDE COATED CARBON STEEL.
 WASHER, LOCKWASHER AND HEX NUT - ZINC PLATED STEEL.

2. ALL HARDWARE SHIPPED UNASSEMBLED.

| | | |
|--------|--------|-------------|
| .193 | .688 | 553636-3 |
| .256 | .750 | 553636-2 |
| DIM. B | DIM. A | PART NUMBER |

| THIS DRAWING IS A CONTROLLED DOCUMENT. | | DRN | 19-NOV-91 | AMP | TYCO Electronics | |
|----------------------------------------|----|------------------|-----------|-------------------------------------|---------------------------|---------------|
| | | A. HOLT | 25-NOV-91 | | Harrisburg, PA 17105-3608 | |
| DIMENSIONS: INCHES | | DRW | M. FRIEL | HARDWARE KIT, SHIELDED, CHAMP LATCH | | |
| TOLERANCES UNLESS OTHERWISE SPECIFIED: | | APVD | S. HEIGE | | | |
| 0 PLC | ±- | PRODUCT SPEC | | | | |
| 1 PLC | ±- | APPLICATION SPEC | | | | |
| 2 PLC | ±- | WEIGHT | | SIZE | CAGE CODE (DRAWING NO) | RESTRICTED TO |
| 3 PLC | ±- | MATERIAL | | A2 | 00779 | 553636 |
| 4 PLC | ±- | FINISH | | CUSTOMER DRAWING | | SCALE |
| ANGLE | ±- | | | | | 4:1 |
| | | | | | | SHEET |
| | | | | | | 1 of 1 |
| | | | | | | REV |
| | | | | | | J |

553636