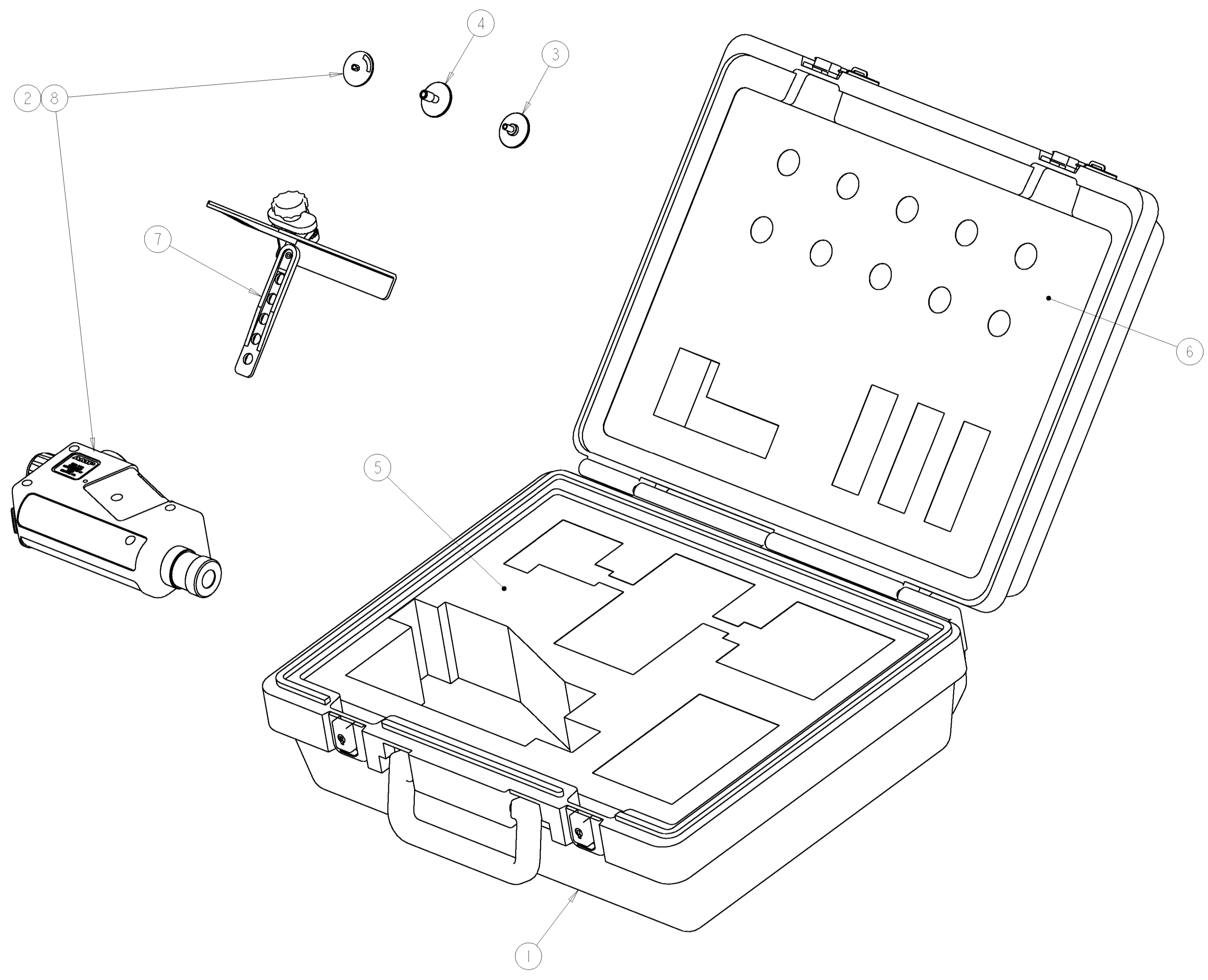


| LOC | DIST | REVISIONS | | | | | |
|-----|------|-----------|-----|--------------------------|-------------|-----|------|
| CE | 16 | P. | LTR | DESCRIPTION | DATE | DWN | APVD |
| | | F | | REVISED PER 0A00-0781-00 | 15 NOV 2000 | TA | SB |



- 1 MATERIAL:
 MICROSCOPE: A.B.S. PLASTIC
 CONNECTOR ADAPTERS: ALUMINUM
 TRIPOD: FIBERGLASS REINFORCED NYLON WITH ALUMINUM
 THREADED COMPONENTS
 FOAM: ANTISTATIC FOAM PER AMP SPEC. 115-59
 CARRYING CASE: HIGH DENSITY POLYETHYLENE WITH
 METAL LATCHES/LOCKS
- 2 FINISH:
 MICROSCOPE: BLACK
 CONNECTOR ADAPTERS: BLACK ANODIZE
 TRIPOD: BLACK
 FOAM: PINK
 CARRYING CASE: CHARCOAL GRAY WITH
 TEXTURED GRAIN EXTERIOR
- 3 RED ON/OFF SWITCH W/AC ADAPTER VERSION USES
 2.8V REPLACEMENT LIGHT BULB P/N 502964-1.
 RED ON/OFF SWITCH W/LOW BATTERY INDICATOR USES
 LONG LIFE LED.

| | | | | | | |
|----|----|----|----|-------------|---------------------------|---------|
| 1 | 1 | - | - | 502978-2 | MICROSCOPE W/20X EYEPIECE | 8 |
| 1 | 1 | 1 | 1 | 502965-1 | TRIPOD | 7 |
| 1 | 1 | 1 | 1 | - | UPPER FOAM | 6 |
| 1 | 1 | 1 | 1 | - | LOWER FOAM | 5 |
| 1 | 1 | 1 | 1 | 492547-1 | F07 TYPE ADAPTER | 4 |
| 1 | 1 | 1 | 1 | 502971-1 | F5MA ADAPTER | 3 |
| - | - | 1 | 1 | 502978-1 | MICROSCOPE W/10X EYEPIECE | 2 |
| - | - | 1 | 1 | - | CASE | 1 |
| -4 | -3 | -2 | -1 | PART NUMBER | DESCRIPTION | ITEM NO |

| | | | | | | | |
|---------------------------|--|---|--|---|--|---|--|
| DIMENSIONS: INCHES | | TOLERANCES UNLESS OTHERWISE SPECIFIED: 9 PLC ± 3 PLC ± 5 PLC ± 4 PLC ± ANGLES ± | | DWN T. ALEXANDER 02 NOV 2000 ENR D. WERTMAN 15 NOV 2000 APVD S. RUCHTER 15 NOV 2000 | | AMP Tyco Electronics Harrisburg, PA 17105-3608 | |
| MATERIAL: △ | | FINISH: △ | | WEIGHT: - | | NAME: INSPECTION MICROSCOPE KIT FIBER OPTIC, OPTIMATE 10X OBJECTIVE | |
| CUSTOMER DRAWING | | | | SIZE: A1 CAGE CODE: 00779 DRAWING NO: C=502970 | | RESTRICTED TO: - SCALE: 1:2 SHEET 1 OF 1 REV F | |